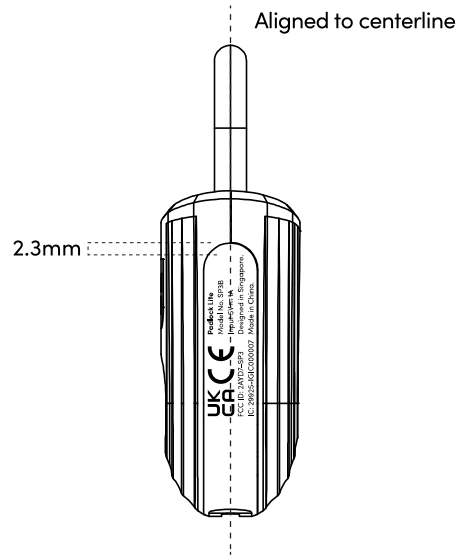


Fineprint (Base & Lightguide)



Body
Color

PANTONE
426 C

PANTONE
179 C

PANTONE
143 C

PANTONE
562 C

Fineprint
Color

PANTONE
Cool Gray 8 C

PANTONE
Cool Gray 5 C

PANTONE
Cool Gray 8 C

PANTONE
Cool Gray 5 C

UK CA CE PadBack Lite
Model No. SP3B
Input 5V 75mA
FCC ID: 2AVD7-SP3 Designed in Singapore.
IC: 29925-IGIC00007 Made in China.

UK CA CE PadBack Lite
Model No. SP3R
Input 5V 75mA
FCC ID: 2AVD7-SP3 Designed in Singapore.
IC: 29925-IGIC00007 Made in China.

UK CA CE PadBack Lite
Model No. SP3Y
Input 5V 75mA
FCC ID: 2AVD7-SP3 Designed in Singapore.
IC: 29925-IGIC00007 Made in China.

UK CA CE PadBack Lite
Model No. SP3G
Input 5V 75mA
FCC ID: 2AVD7-SP3 Designed in Singapore.
IC: 29925-IGIC00007 Made in China.

UK CA CE PadBack Lite
Model No. SP3B
Input 5V 75mA
FCC ID: 2AVD7-SP3 Designed in Singapore.
IC: 29925-IGIC00007 Made in China.

UK CA CE PadBack Lite
Model No. SP3R
Input 5V 75mA
FCC ID: 2AVD7-SP3 Designed in Singapore.
IC: 29925-IGIC00007 Made in China.

UK CA CE PadBack Lite
Model No. SP3Y
Input 5V 75mA
FCC ID: 2AVD7-SP3 Designed in Singapore.
IC: 29925-IGIC00007 Made in China.

UK CA CE PadBack Lite
Model No. SP3G
Input 5V 75mA
FCC ID: 2AVD7-SP3 Designed in Singapore.
IC: 29925-IGIC00007 Made in China.

30.1mm

8.5mm

UK CA CE PadBack Lite
Model No. SP3B
Input 5V 75mA
FCC ID: 2AVD7-SP3 Designed in Singapore.
IC: 29925-IGIC00007 Made in China.

13mm



13mm

PANTONE
BLACK 6C

Measurement Unit: mm
Paper size: A3
Scale 1:1