

User guide

Key Fob

Welcome!

This guide will get you up and running with your igloohome Key Fob.
In the meantime, you should follow igloohome on Facebook and Youtube!



Like us on Facebook



Visit our Youtube

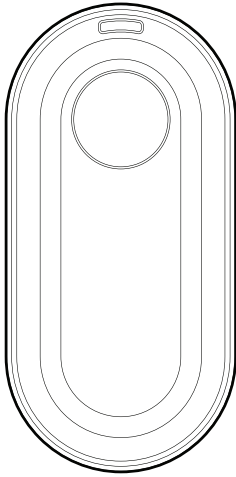


As our igloohome app is frequently updated, there may be changes to this manual.
Please refer to our website igloohome.co/support for the latest version of the manual.

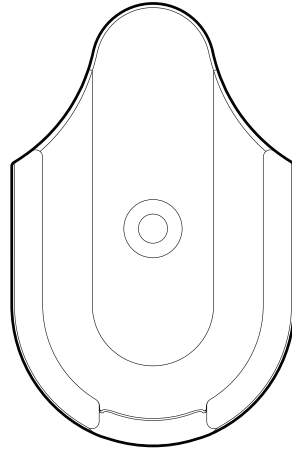
Table of Contents

What's Included	4
Specifications	5
Lock Anatomy	6
Features	7
Replacing Batteries	8
App Onboarding	9
Installation Instructions	10
Unlocking	11
Locking	12
Compatible igloohome Locks	13
LED Indications	14
Troubleshoot	15

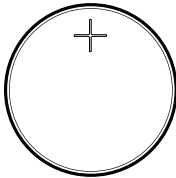
What's Included



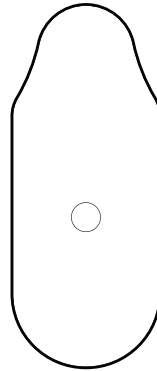
Key Fob



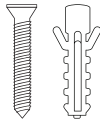
Mounting Bracket



CR2032 Coin Cell Battery



Adhesive Tape

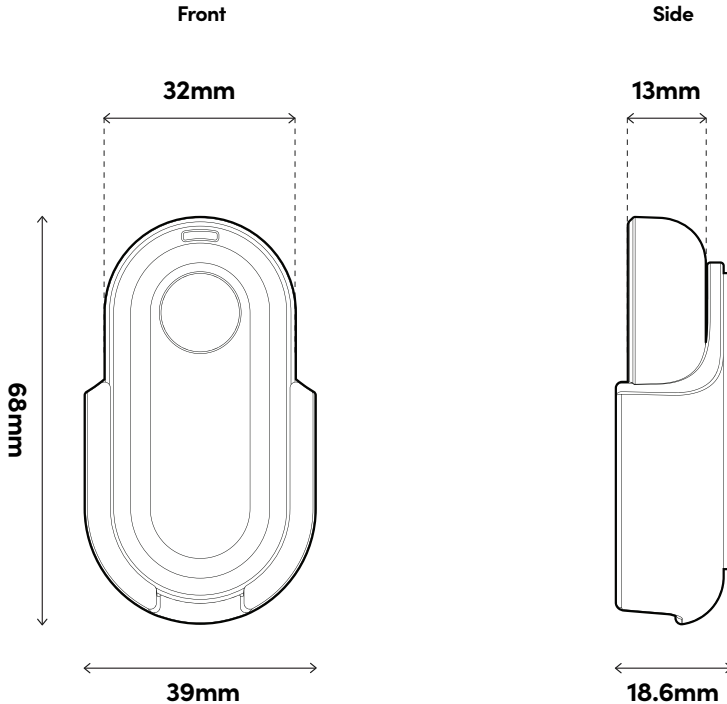


Screw & Screw Anchor

Specifications

Model	igloohome Key Fob
Battery Type	CR2032 Coin Cell Battery
Battery Life	Up to 2 Years
Operation Temp	-25°C to 45°C *
IP Rating	IP54
Body Material	ABS, PC
Weight	Net: TBC, Gross: TBC

*NOTE: Battery reading at sub-zero temperatures might be inaccurate.
For best performance, please use product above 0 degrees Celsius.

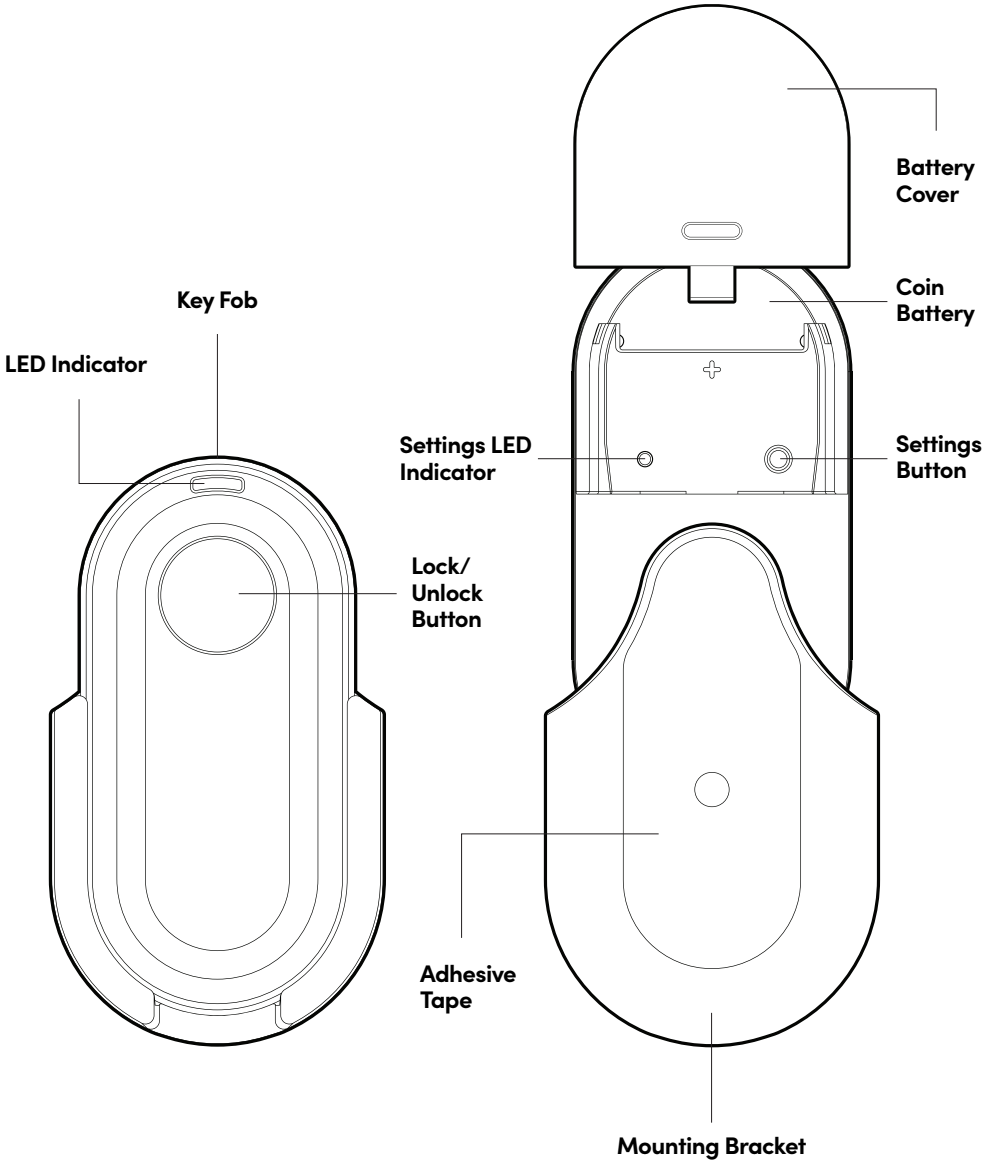


NOTE: This product functions best with Panasonic CR2 Lithium batteries.
Do not use rechargeable, heavy-duty or other battery types.



For damage resulting from incorrect use of fob, use of fob in potentially explosive environments, or use of fob outside of stipulated specifications, the customer bears sole responsibility. igloohome accepts no liability whatsoever.

Fob Anatomy



Features

Lock / Unlock



Unlock Function

Click the button to unlock.



Lock Function

Hold the button down for two seconds to lock.

Battery



Battery Life

The Fob can last up to 2 years with CR2 lithium battery.



Low Battery Indicator

An intuitive LED visual alert will prompt you to change the batteries when it runs low.

Others



Compatible across multiple locks

The Key Fob is compatible with selected igloohome locks.

**Selected lock models are listed in specifications.*

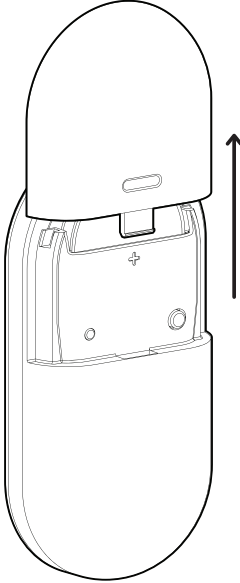


Access on your terms

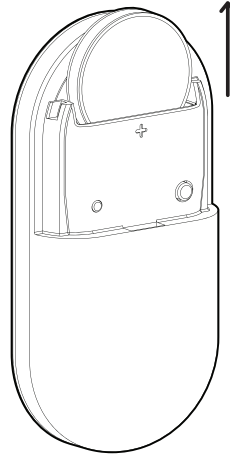
Pair multiple Key Fobs to your lock. Each Key Fob can be paired with up to 199 locks and unlocks a maximum of 5 paired locks within range simultaneously.

Replacing Batteries

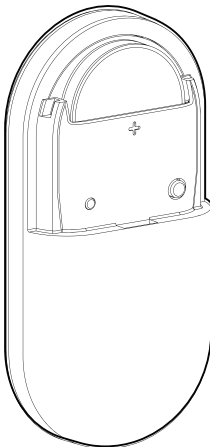
- 1** Remove the battery cover from the fob by sliding it upwards.



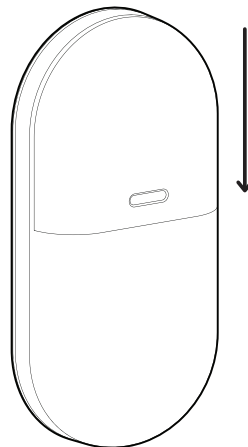
- 2** Push the CR2032 Coin Battery upwards to remove it from the battery slot.



- 3** Replace the CR2032 Coin Battery.



- 3** Close the battery cover by sliding it downwards.



Please ensure that the battery cover is closed tightly.

App Onboarding

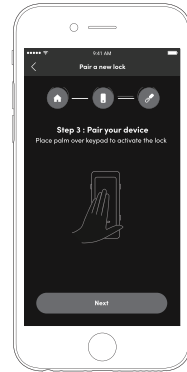
1 Register as a Lock User

- a) Download igloohome from the App Store / Play Store
 - b) Create an account and login
-

2 Pairing

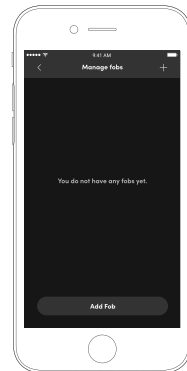
- a) Select **[Add new igloohome lock]**

Note: For existing users with other paired locks, go to **[Configuration]**, select **[Add Locks]** and follow the instructions.



3 Adding the Key Fob

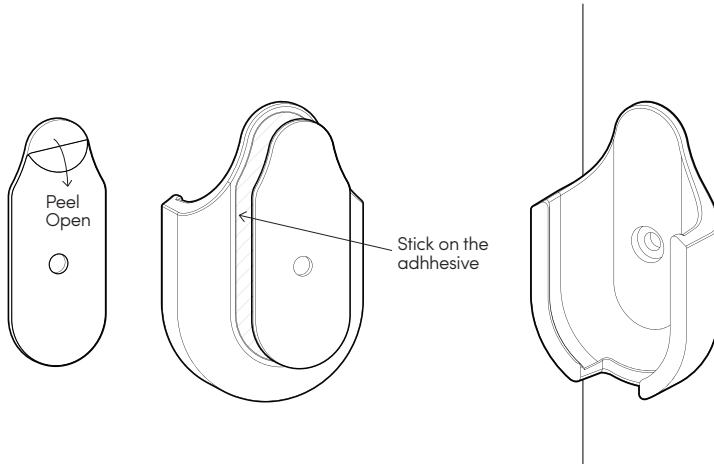
Go to **[Configuration]**, select **[Manage fobs]**, and click on the **[+]** sign at the top right corner and follow the instructions.



Installation Instructions

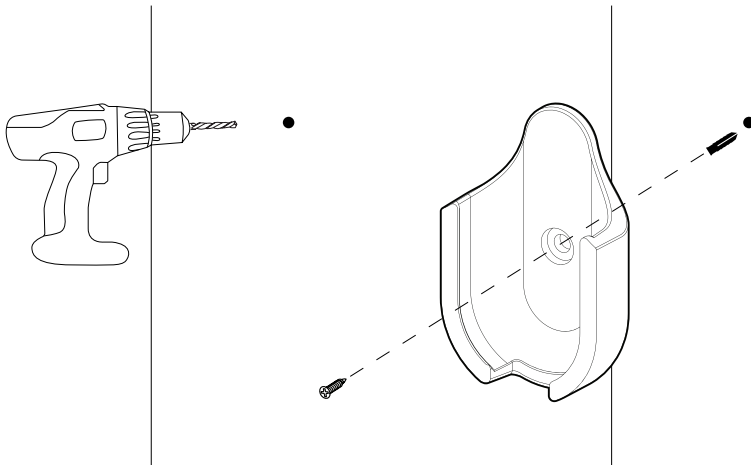
a Using Adhesive

1. Peel off the protective layers on both sides of the provided adhesive.
2. Stick one side onto the back of the mounting bracket, and the other side onto the wall near your iglooHome locks*



b Using Screw

1. With the provided screw and screw anchor, drill the mounting bracket into the wall near your iglooHome locks*

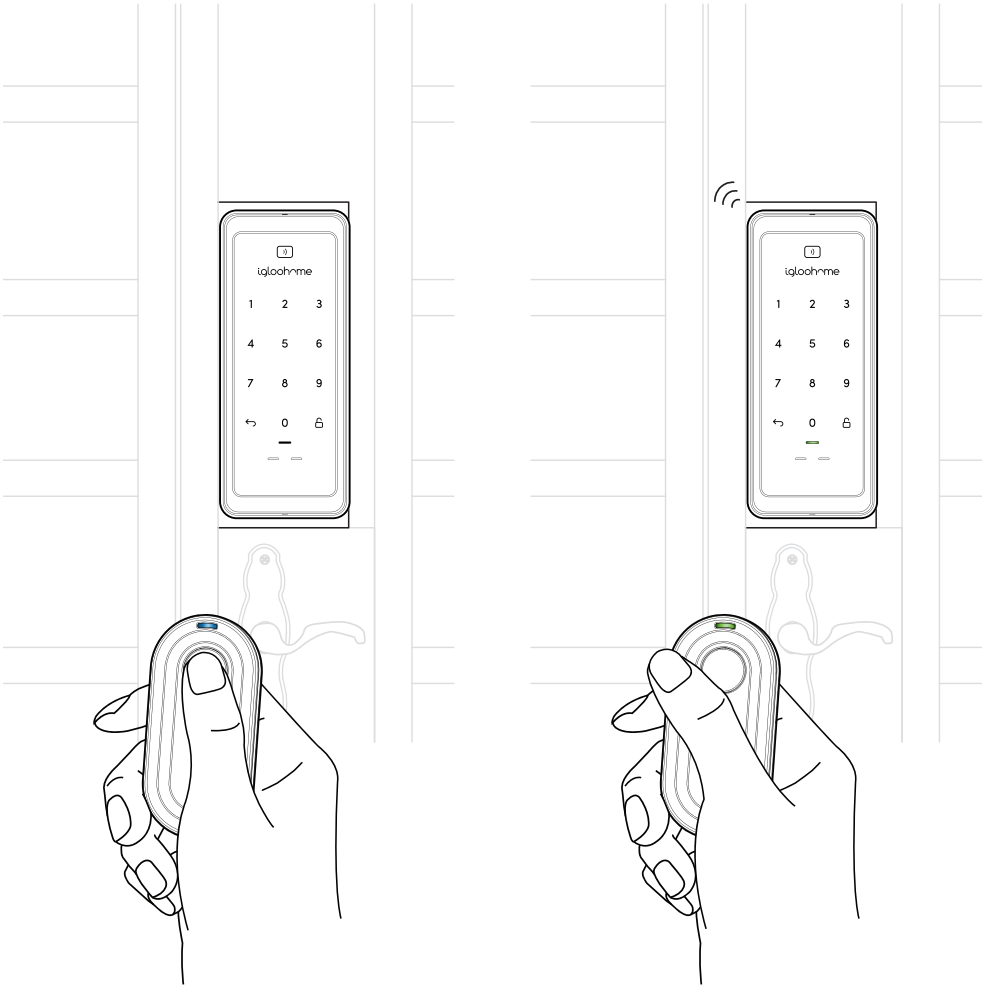


* NOTE: Please ensure that the key fob can unlock your iglooHome locks at the position where you are placing the mounting bracket on.

Unlocking

a Unlock

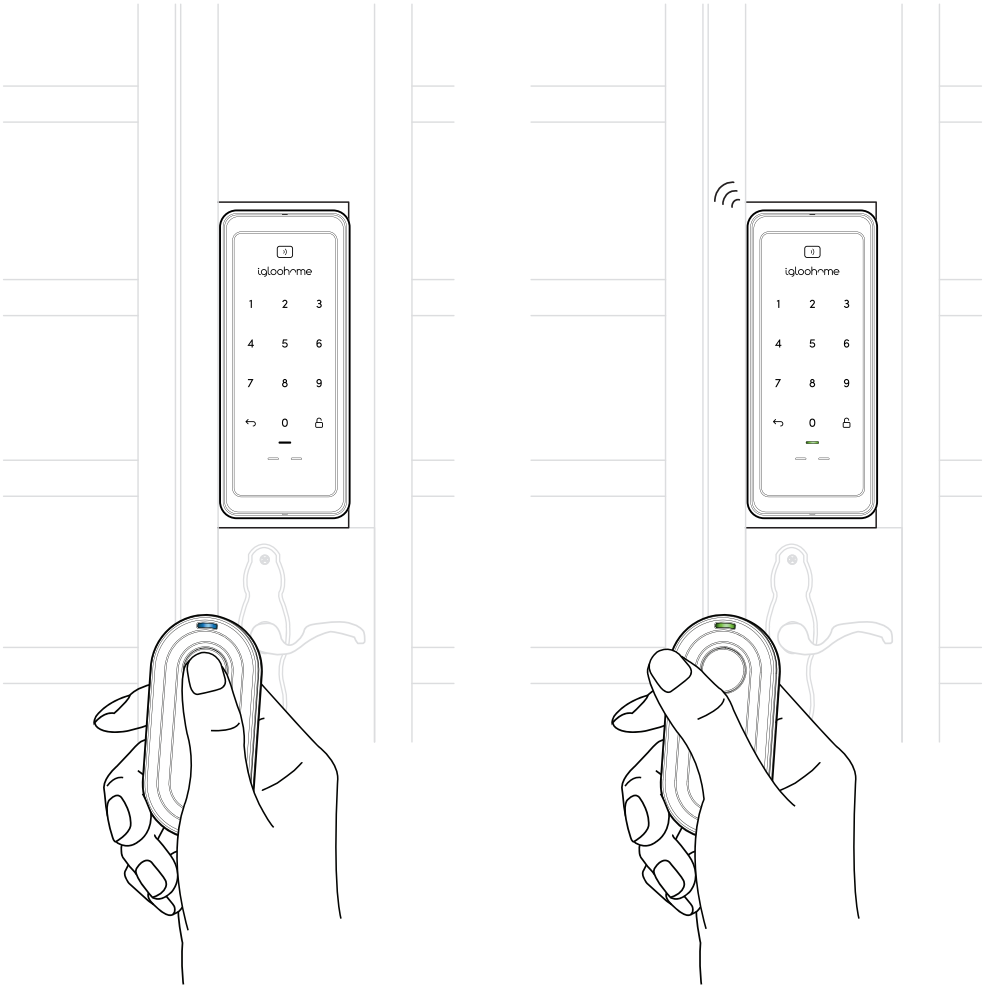
1. Press the button on the key fob. LED indicator on the key fob will start flashing blue
2. Paired locks within range (up to 5) will unlock, and the LED indicator will turn green



Locking

a Lock

1. Press and hold the button on the key fob for more than 2 seconds. LED indicator on the key fob will start flashing blue
2. Paired locks within range (up to 5) will lock, and the LED indicator will turn green



Compatible igloohome Locks

Lock	Maximum Key Fob to lock distance*
Metal Gate Rim Lock	Less than 8m
Mortise 2/2+	Less than 10m
Deadbolt 2S Metal Grey	Less than 8m
Keybox 3	Less than 4m
Padlock	Less than 1.5m
Other older lock models	If your lock model is not shown here, please contact our support team for more information on Key Fob compatibility.

*NOTE: The distances provided are for reference only and will vary based on actual operating conditions such as physical obstacles and interference from other electronic devices.

LED indications

Actions	LED Indications	Settings LED Indications
Pairing / Settings mode (Timeout = 50 sec)	None	Slow flash Blue LED
Pairing in progress	None	Very fast blink Blue LED
Paired successful	None	Blue LED for 4 seconds
Low Battery (only when unlocking/locking)	Slow breathing Red LED	None
Error/No lock found	Red LED for 4 seconds	None
Searching for lock to connect and unlock	Fast blink Blue LED	None
Successful unlock/ lock all locks	Green LED for 4 seconds	None
Successful unlock/lock some locks only (not all)	Alternate Red and Green LED for 4 seconds	None
Hard Reset / Unpair	None	Blue LED for 4 seconds then a slow blink
Power Start Up	None	Blue LED for 1 second

Troubleshoot

I lost my Key Fob

- In the igloohome app, Go to "Manage fobs" > Choose your fob > Choose "Delete Fob" > "I lost my fob"
- Follow on-screen instructions to revoke access* to the locks linked to the Fob and delete the Fob from your account
- The fob is now disabled and will not unlock your igloohome locks
- Should you find your fob after these steps are done, please contact the support team in resetting your fob

Unlock is not working

- Check that the locks you are unlocking are already linked to your fob in the app
- Check that the settings LED (under the battery cover) is not flashing blue
- Ensure that the fob is within Bluetooth range of the locks (for optimal performance, please ensure you are within 5m of the locks and there are no obstructions between the fob and the locks)
- Check that the locks you are unlocking are not low in battery

Compliance

This device complies with part 15 of the FCC Rules. Operation is subject to the following two conditions: (1) this device may not cause harmful interference, and (2) this device must accept any interference received, including interference that may cause undesired operation.

Any changes or modifications not expressly approved by the party responsible for compliance could void the user's authority to operate the equipment.

NOTE: This equipment has been tested and found to comply with the limits for a Class B digital device, pursuant to Part 15 of the FCC Rules. These limits are designed to provide reasonable protection against harmful interference in a residential installation. This equipment generates, uses and can radiate radio frequency energy and, if not installed and used in accordance with the instructions, may cause harmful interference to radio communications. However, there is no guarantee that interference will not occur in a particular installation.

If this equipment does cause harmful interference to radio or television reception, which can be determined by turning the equipment off and on, the user is encouraged to try to correct the interference by one or more of the following measures:

- Reorient or relocate the receiving antenna.
- Increase the separation between the equipment and receiver.
- Connect the equipment into an outlet on a circuit different from that to which the receiver is connected.
- Consult the dealer or an experienced radio/TV technician for help.

This equipment complies with FCC radiation exposure limits set forth for an uncontrolled environment. This equipment should be installed and operated with a minimum distance of 5mm between the radiator and your body.

For enquiries go to:
igloohome.co/support