



# S1-701

## Self Service Device User Manual, Safety, Warranty and Info Guide

Designed by iMin in Singapore Address: 63 Ubi Ave 1 #07-02 63@Ubi Singapore 408937 TEL: +65 67413019 FAX: +65 67413989 URL: [www.imin.sg](http://www.imin.sg)  
Review this user manual before using Self Service Device. It also contains safety info guide, warranty and qualification certification. Retain these documentation for future reference.

## Safety Information

### Safety And Handling

- Please plug-in power adapter to only its corresponding AC socket.
- Do not use in explosive gas atmosphere.
- Do not disassemble the equipment. It should be serviced or recycled only by iMin or an authorised service provider.
- This is a Grade B product. The product may cause radio interference and interfere with medical devices. The user may be required to take practical measures to reduce the possibility of causing interference to radios, televisions and other electronic devices.
- About the battery replacement:
  1. Do not attempt to replace the Self Service Device battery yourself - you may damage the battery, which could cause overheating, fire and injury.
  2. The replaced/ used battery should be disposed according to local environmental laws and guidelines. Do not dispose in fire. It should be serviced or recycled by iMin or an authorised service provider, and must be recycled or disposed of separately from household waste.

### Company Statement

Our company is not responsible for the following actions:

- Damage caused by misuse, lack of care in maintaining the equipment, or placing the device under conditions that may cause undesired operation and risk as specified in this instruction manual.
- We will not be responsible for any damage or problem caused by third party parts or components (other than the original products or approved products provided by us). Without our consent, you have no right to modify or alter the products.
- The operating system of this product is supported by official regular OS update. If the user breached the third party's ROM system or change the system file by hacking, it may cause unstable, undesired system operation and bring security risk.

### Advices

- Do not expose the device to moisture, dampness, or wet weather, such as rain, snow or fog.
- Do not use the device in extreme cold or hot environments eg, near a fire or lit cigarette.
- Do not topple, throw, or bend.
- Use in optimally clean and dust-free environment to avoid tiny particles clogging and seeping through gaps in the device.
- Do not attempt to use the device near medical equipment.

### Important Safety Information

- Do not install or use during thunder storms and lightning conditions, otherwise, there will be risk of electric shock, injury or death in the event of thunder or lightning hit.
- If you find unusual odour, overheating or smoke, please cut off the power immediately.
- Do not expose the device to moisture, dampness, or wet weather, such as rain, snow or fog; Do not use in explosive gas atmosphere.

### Disclaimer

Due to regular updates and enhancements made to the product, some details of this document may be inconsistent with the physical product. Please take the product you received as current standard. The right to interpret this document belongs to our company. We reserve the right to amend this specification without prior notice.



3-06-10-884

## Name And Content Of Toxic And Harmful Substances In This Product

Part name	Toxic or harmful substances and elements					
	Plumbum (Pb)	Mercury (Hg)	Cadmium (Cd)	Chromium VII (Cr(VII))	Polybrominated biphenyl (Cr(VII))	Polybrominated diphenyl ethers (PBDE)
Circuit board	×	○	○	○	○	○
Head of printer	×	○	○	○	○	○

○: Means that the content of the toxic and harmful substances in all homogeneous materials of the component is below the limit specified in SJ/ t113363-2006.

×: Means that the content of the toxic and hazardous substances at least in a homogenous material of the component exceeds the limit specified in SJ/-2006; However, the components marked with "×" in the above table are out of proportion because there is no mature alternative technology in the industry at present.

Products that have reached or exceeded the environmental protection service life should be recycled and reused in accordance with the electronic information products control and management measures or local environmental laws and guidelines. They should not be discarded at will or with household waste.

### Product Warranty Card

Product Name: Self Service Device

Model No.: \_\_\_\_\_

Serial No.: \_\_\_\_\_

Purchase Date: \_\_\_\_\_

Warranty Period: The warranty period commences on the date of purchase. We offer 365 days warranty service.

User Phone: \_\_\_\_\_

User Address: \_\_\_\_\_

iMin does not warrant against the following:

- Disassembled or repaired product by unauthorised service provider without our consent.
- Damaged product barcode, fragile sticker and altered or defective warranty card.
- Damage caused by non-compliance with instructions in this user manual.
- Damage caused by exposure to sources of liquid, dripping or splashing, normal wear and tear, accident or abuse.
- Failure or damage as a result of any Force Majeure Event.
- Expired warranty period.

## Packing Content

- Self Service Device x 1, Antenna x 1, Power Cable x 1, Key x 2
- POS Mount bracket x 1, M4 Machine Screw x 3, M3 Machine Screw x 3
- User Manual x 1 (including warranty card, product qualification certificate)

Qualification Certificate  
Passed Inspection

## Basic Parameters

OS	Android 7.1
CPU	RK3288W
Display	21.5 inches, resolution FHD 1920 x 1080, 10 point multitouch screen
Storage	2GB RAM (optional 4GB)+ 16GB ROM (optional 32GB/64GB/128GB)
Camera Lens	Monocular 0.3M (optional 5M)
WIFI	Support 802.11 a/b/g/n/ac
Bluetooth	Support Bluetooth 4.2
Printer	80mm thermal printer
Scanner	1-dimensional code: UPC-A, UPC-E, UPC-E1, EAN-13, EAN-8, ISBN (Book and EAN), ISSN, Code 39, Code 39 full ASCII, Code 32, Trioptic Code 39, Interleaved 2 of 5, Industrial 2 of 5, Matrix 2 of 5, Codabar (NW7), Code 128, UCC/EAN 128, ISBT 128, Code 93, Code 11(USD-8), MSI/Plessey, UK/Plessey, China Post, China Finance, GS1 DataBar (formerly RSS) variants 2-dimensional code: PDF417, MicroPDF417, QRCode, DataMatrix, Han Xin Code, Aztec Code
Speaker	3W
External Interface	4 x USB Type-A, 1 x Micro USB, 1 x RJ45, 1 x RJ11, 1 x DC-In
External Storage	MicroSD (TF) up to 128GB
Power Adapter	Output power 100W, Input: 220Vac; Output: 24Vdc 4.2A
POS Stand	Standard
Wall mount	Optional
Base stand	Optional
Machine Dimension	348mm × 100mm × 807.3mm
Operating Temperature	-10°C to +40°C
Storage Temperature	-10°C to +50°C
Humidity	Relative humidity ≤ 85%, no condensation phenomenon
Limited Altitude	Below 5000 metres

## Easy Set Up

Turn on this self-service device in the following steps.

- 1 Press the power button and wait for the screen to light up showing the first boot up interface, then follow the prompts.

You may choose the following 2 internet access modes on this device.

- 2 Connecting to Wi-Fi or WLAN
  - Click on [Settings], turn on WIFI to enter the WLAN search interface, and search available WLAN hotspots listing automatically.
  - Select the WLAN you wish to connect. If you chose an encrypted network, you need to enter the access password to connect successfully.

## How To Download/ Use Apps

Launch Application Store under online mode to browse, download and complete installation for relevant Apps.

## List Of Pre-installed Apps And System Programs

Calculator · Settings · Music · Video · Download

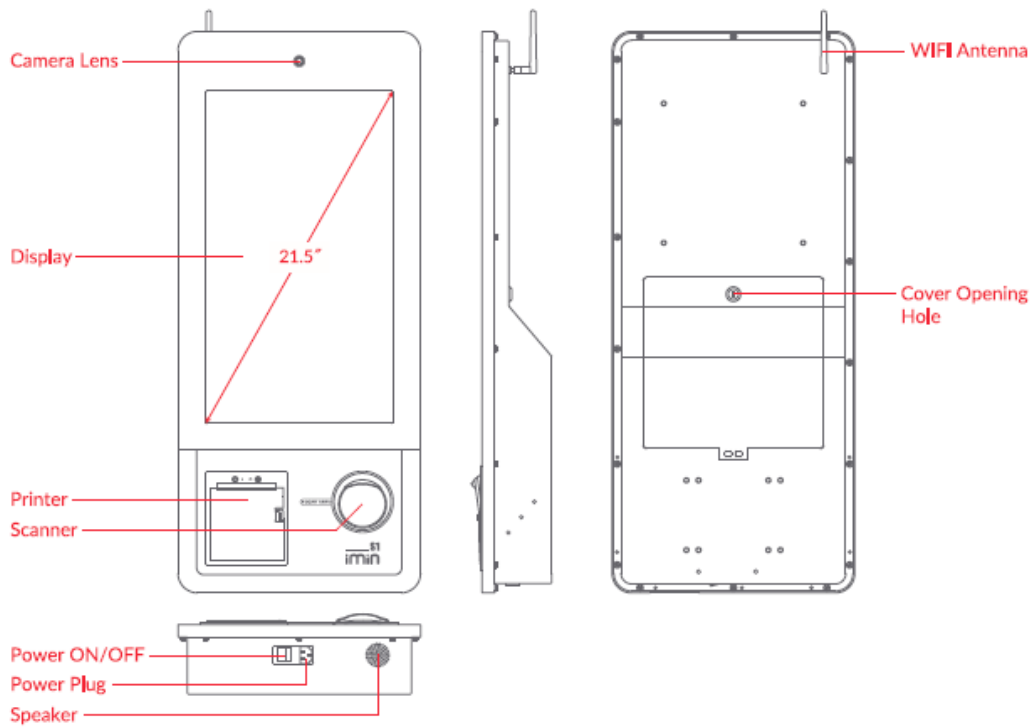
To learn more: Choose "Setup" -> "Application" and select the the application you wish to enquire about

To unload/ uninstall a specific application: Choose "Setup" -> "Application" -> "Management Application" ->

"Unloading" to uninstall application. Alternatively, long press on application icon and drag it to the trash can to uninstall.

Launch the "Help" app on the device to learn more or refer to these steps again.

## Device Introduction



**Camera Lens**  
Used for face payment.

**Display**  
Provide touch screen for operator.

**Printer**  
Used for receipt printing.

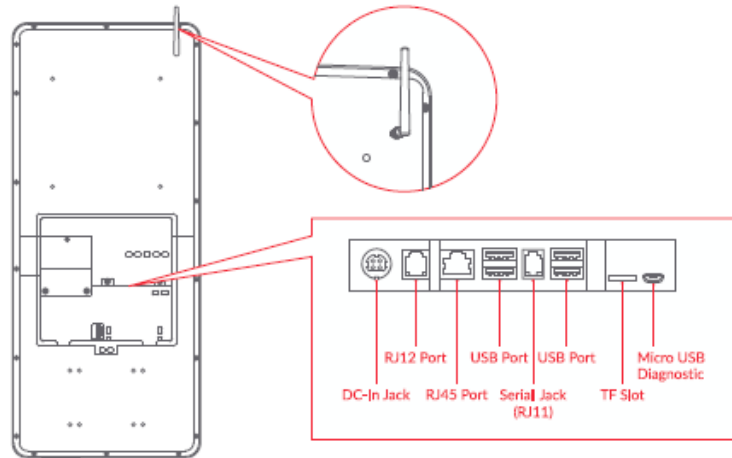
**Scanner**  
Used for payment through 1D/2D code scanning.

**WiFi Antenna**  
Used for strengthen the wifi signal.

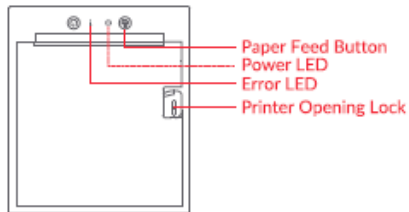
**Cover Opening Hole**  
The machine is opened by a key so as to connect wires, etc.

## Usage Description

### · Interface Introduction



### · Printer Introduction



#### Power LED

On: Normal Status  
Off: Unstable Current

#### Error LED

Off: Normal Status  
On for Long Period: Paper unavailable, Printer malfunction  
Blinking: Paper jam or blocking module is working

#### Receipt Paper setup

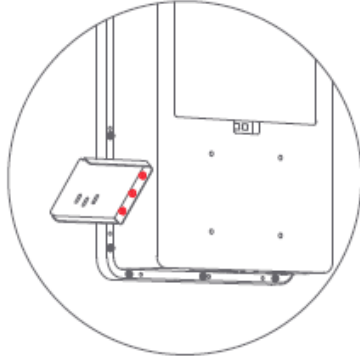
- 1 Open the cover clip on the panel to expose the key groove;
- 2 Insert the unlock key to rotate the printer tray;
- 3 Insert the paper roll:
  - a. Properly insert 80mm wide thermal paper into the paper bin;



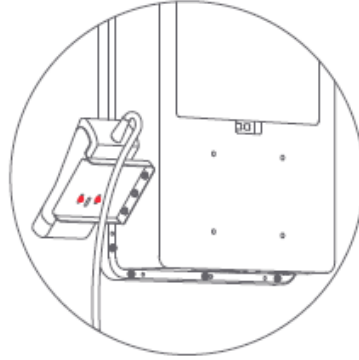
- b. Close the paper bin door and lock the machine cover after pulling the paper out.

## Installation Guidelines

### • Mount Bracket Installation

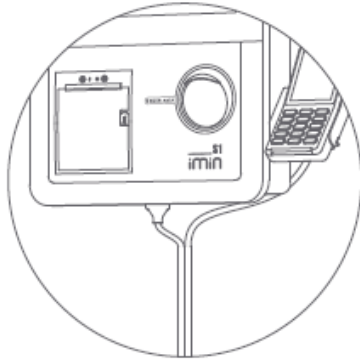


1 Fix the POS mount bracket with three M4 machine screws on the right side of device's main body;

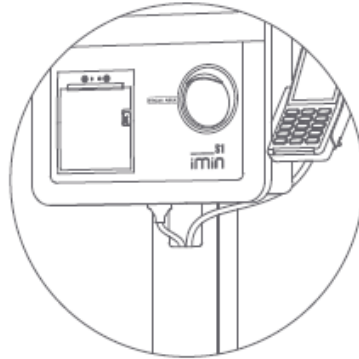


2 Install the POS terminal, fix the terminal back using two M3 machine screws, connect the wiring cables.

### • Cable Connection



Method (1): Connect the POS cable using separator; one-end connect to device's main body, another end connect to the power supply.



Method (2): Connect the POS cable using separator and insert into column bracket's opening; one-end connect to device's main body, another end connect to the power supply.



## FCC Warning

This device complies with part 15 of the FCC rules. Operation is subject to the following two conditions: (1) this device may not cause harmful interference, and (2) this device must accept any interference received, including interference that may cause undesired operation.

Changes or modifications not expressly approved by the party responsible for compliance could void the user's authority to operate the equipment.

NOTE: This equipment has been tested and found to comply with the limits for a Class B digital device, pursuant to part 15 of the FCC Rules. These limits are designed to provide reasonable protection against harmful interference in a residential installation. This equipment generates uses and can radiate radio frequency energy and, if not installed and used in accordance with the instructions, may cause harmful interference to radio communications. However, there is no guarantee that interference will not occur in a particular installation. If this equipment does cause harmful interference to radio or television reception, which can be determined by turning the equipment off and on, the user is encouraged to try to correct the interference by one or more of the following measures:

- Reorient or relocate the receiving antenna.
- Increase the separation between the equipment and receiver.
- Connect the equipment into an outlet on a circuit different from that to which the receiver is connected.
- Consult the dealer or an experienced radio/TV technician for help.

## Radiation Exposure Statement

This equipment complies with FCC radiation exposure limits set forth for an uncontrolled environment. This equipment should be installed and operated with minimum distance 20cm between the radiator and your body.