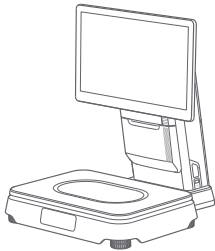


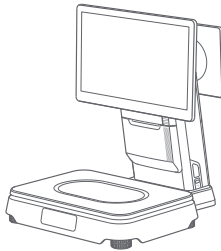


D1w
Model:I20D04
POS Device User Manual

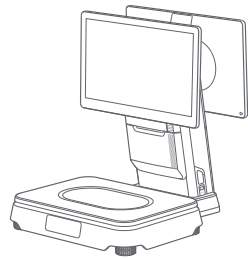
The device comes in 3 options below:



15.6"LCD
(D1w-701)

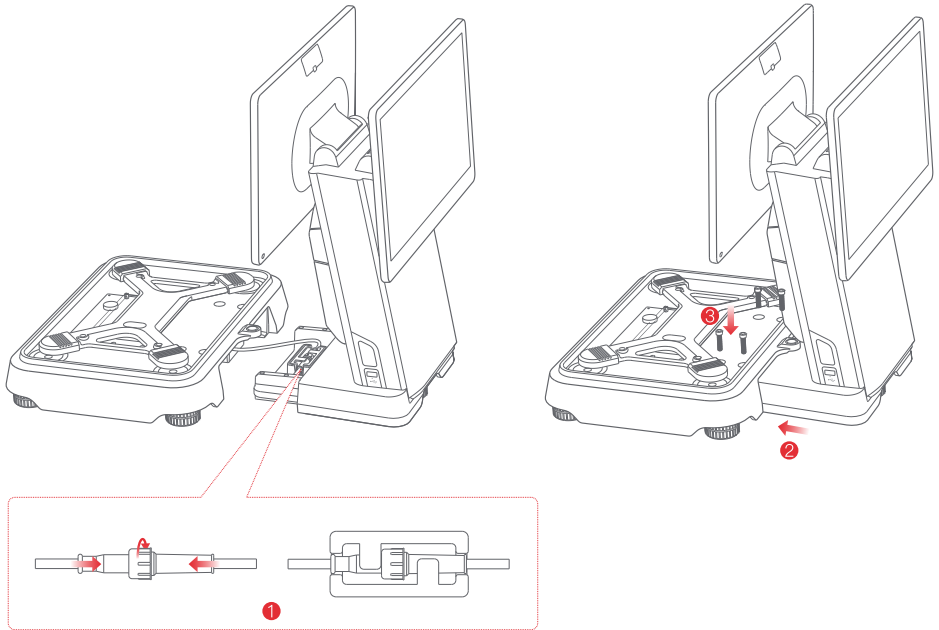


15.6"LCD + 10.1"LCD
(D1w-702)

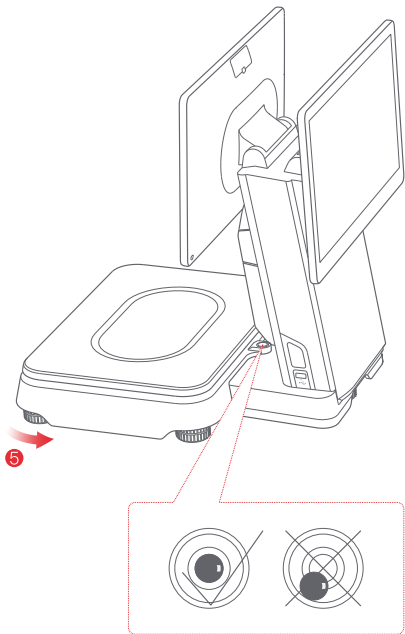
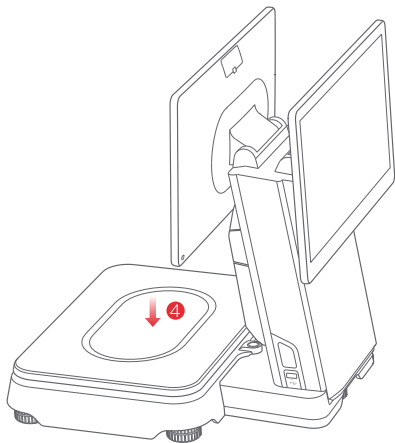


15.6"LCD + 15.6"LCD
(D1w-703)

Installation guidelines



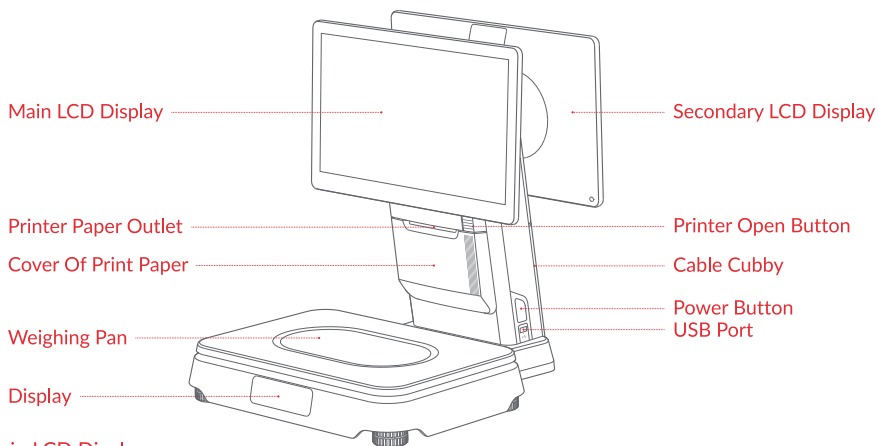
- 1 Take out the connecting wire of POS and connect with scale (Note the alignment of the two dots), turn the nut tight and insert it into the slot;
- 2 Connect Scale with POS;
- 3 Using the hexagon wrench and screws provided to assemble the POS and scale;



4 Place the weighing pan on the scale;

5 Using the adjustable feet under the Scale and POS to adjust the level of the scale such that the indicator is position at the centre of the bubble (Scale can only achieve accurate weight after adjusting the indicator).

brief introduction



Main LCD Display

Provide touch screen for operator.

Secondary LCD Display (Customer-Facing)

Use this front-facing screen (optional, configuration specs varies) to display ads to customers.

Power Button

Start up: Short press on button when machine is in power-off mode.

Power off/ restart: Long press on button 2-3 seconds to choose either option when machine is in power-on mode.

Power off (alternative): Press button for 11 seconds when machine is in power-on mode.

Cable Cubby

Pull open to reveal connectors and cabling.

Printer Paper Outlet

Printing receipt when power on

Printer Open Button

Open the cover of printer and replace printing paper.

USB Port

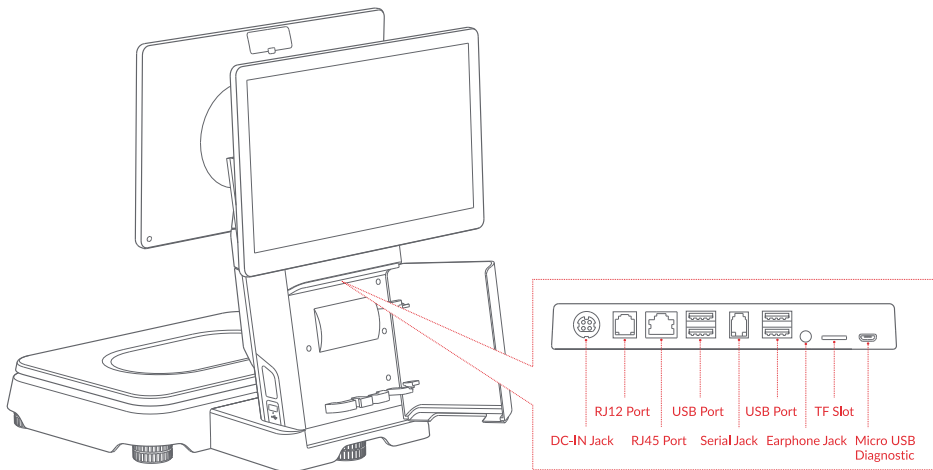
For connecting printer or peripherals with USB Type-A interface.

Weighing Pan

Used for weighing goods.

Display

Display the weight value.



DC-IN Jack

For connecting power adapter.

RJ12 Port

For connecting external cash box (electrical pulse 120ms output instead of sustained power supply). The device only supports 24V/1A cash box. If 12V money box is used, there may be damage potential circuit of cash box.

RJ45 Port

For connecting to internet or LAN.

USB Port

For connecting printer or peripherals with USB Type-A interface.

TF Slot

For inserting external TF card.

Micro USB Diagnostic/ Debugging Port

For connecting diagnostic or debugging equipment.

terminal installation



① Open The Paper Cover

Press the open button and the paper cover will pop up automatically.

② Install Printing Paper

Put in 80mm thermal paper and pull out a section outside of the printing paper outlet, then close the cover again.

③ Connect Power Cable

Connect the power adapter to the DC in jack at the bottom of the host, plug the adapter into the AC socket.

Technical Specifications

OS	Android 11
Processor	4-Core, Quad-core ARM Cortex-A55, 2.0GHZ
LCD Display	15.6" resolution : FHD 1920 * 1080
Memory/ Storage	2GB RAM +16GB ROM
Touchscreen	10-points capacitive screen
WIFI	802.11 a/b/g/n/ac
Bluetooth	Bluetooth5.0
Printer	80mm wide printer, diameter 80mm, with automatic cutter
Speaker	1 * 1.5W
External Interface	5 * USB Type-A, 1 * RJ11, 1 * RJ12 (24V), 1 * RJ45, 1 * Earphone, 1 * DC-IN, 1 * Type-C
External SD Card	MicroSD (TF) up to 128GB
Dimensions	38cm * 23.4cm * 46.4cm
Power Adapter	Output power 60W, Input: AC100~240V/2.5A, Output: DC24V/2.5A
Range	Max=15/30kg
Division Value	e=d=5/10g
Accuracy Level	III
Operating Temperature	-10°C ~ +40°C
Storage Temperature	-10°C ~ +50°C
Humidity	Relative humidity < 85%, no condensation phenomenon
Altitude Limit	Below 5000 metres

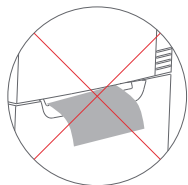
10.1" LCD Display Technical Specification

10.1" LCD display resolution : HD 800 * 1280

15.6" LCD Display Technical Specification

15.6" LCD display resolution : FHD 1920 * 1080

Wrong operation of printer



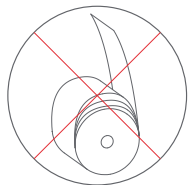
Do not tilt the printing paper



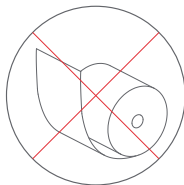
Do not let the printing paper involve into the gap of inside cabin



Do not pull printing paper too long and then into the paper bin

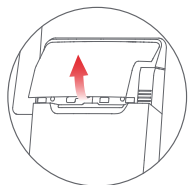


Do not put loose paper into the paper cabin

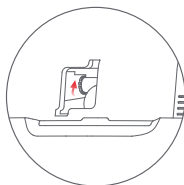


Please pay attention for the direction of pinting paper

Troubleshooting operation for paper jam



① Open the cutter cover outward first



② Turn the rotary knob of cutter up until the paper jam is removed

Common trouble shooting

Symptom	Solution
Crash	· Press the Power key for 11 seconds to shutdown, short press to press restart.
Printer does not work	· Check that the paper compartment cover is closed properly. · Check if a paper jam has occurred.
Print blank content	· Check if the paper roll is inverted. · Check whether 80mm thermal printer paper roll is used.
Print blur	· Check if the thermal head is dirty and, if dirty, use a cotton swab dipped in anhydrous alcohol to test it. · Replace with good quality thermal paper to avoid blur printing.
Inaccurate weighing	· Remove the weighing pan to check if the indicator is position at the centre of the bubble. · Check the 5 adjustable feet whether are in firm contact with the supporting table. · Check if there is debris around and at the bottom of the X bracket which causes inaccurate weighing.

Name and content of toxic and harmful substances in this product

Part name	Toxic or harmful substances and elements					
	Plumbum (Pb)	Mercury (Hg)	Cadmium (Cd)	Chromium VII (Cr(VII))	Polybrominated biphenyl (Cr(VII))	Polybrominated diphenyl ethers (PBDE)
Circuit board	×	○	○	○	○	○
Head of printer	×	○	○	○	○	○

○: Means that the content of the toxic and harmful substances in all homogeneous materials of the component is below the limit specified in SJ/ t113363-2006.

×: Means that the content of the toxic and hazardous substances at least in a homogenous material of the component exceeds the limit specified in SJ/-2006; However, the components marked with "X" in the above table are out of proportion because there is no mature alternative technology in the industry at present.

Products that have reached or exceeded the environmental protection service life should be recycled and reused in accordance with the electronic information products control and management measures or local environmental laws and guidelines. They should not be discarded at will or with household waste.

Safety information

Safety and handling

- Please plug-in power adapter to only its corresponding AC socket.
- After the installation of the Intelligent Payment Electronic Scale is completed, do not move alone to avoid human injury caused by falling.
- Do not use in explosive gas atmosphere.
- Do not disassemble the equipment. It should be serviced or recycled only by iMin or an authorised service provider.
- This is a Grade B product. The product may cause radio interference and interfere with medical devices. The user may be required to take practical measures to reduce the possibility of causing interference to radios, televisions and other electronic devices.
- About the battery replacement:
 1. Do not attempt to replace the battery yourself - you may damage the battery, which could cause overheating, fire and injury.
 2. The replaced/ used battery should be disposed according to local environmental laws and guidelines. Do not dispose in fire. It should be serviced or recycled by iMin or an authorised service provider, and must be recycled or disposed of separately from household waste.

Important safety information

- Do not install or use during thunder storms and lightning conditions, otherwise, there will be risk of electric shock, injury or death in the event of thunder or lightning hit.
- If you find unusual odour, overheating or smoke, please cut off the power immediately.
- Do not expose the device to moisture, dampness, or wet weather, such as rain, snow or fog; Do not use in explosive gas atmosphere.

Advices

- Do not expose the device to moisture, dampness, or wet weather, such as rain, snow or fog.
- Do not use the device in extreme cold or hot environments eg, near a fire or lit cigarette.
- Do not topple, throw, or bend.
- Use in optimally clean and dust-free environment to avoid tiny particles clogging and seeping through gaps in the device.
- Do not attempt to use the device near medical equipment.

Company statement

Our company is not responsible for the following actions:

- Damage caused by misuse, lack of care in maintaining the equipment, or placing the device under conditions that may cause undesired operation and risk as specified in this instruction manual.
- We will not be responsible for any damage or problem caused by third party parts or components (other than the original products or approved products provided by us). Without our consent, you have no right to modify or alter the products.
- The operating system of this product is supported by official regular OS update. If the user breached the third party's ROM system or change the system file by hacking, it may cause unstable, undesired system operation and bring security risk.

Disclaimer

Due to regular updates and enhancements made to the product, some details of this document may be inconsistent with the physical product. Please take the product you received as current standard. The right to interpret this document belongs to our company. We reserve the right to amend this specification without prior notice.

Product Warranty Card

Model No.: I20D04

Serial No.: _____

Purchase Date: _____

Warranty Period: The warranty period commences on the date of purchase. We offer 365 days warranty service.

User Phone: _____

User Address: _____

iMin does not warrant against the following:

- Disassembled or repaired product by unauthorised service provider without our consent.
- Damaged product barcode, fragile sticker and altered or defective warranty card.
- Damage caused by non-compliance with instructions in this user manual.
- Damage caused by exposure to sources of liquid, dripping or splashing, normal wear and tear, accident or abuse.
- Failure or damage as a result of any Force Majeure Event.
- Expired warranty period.

Qualification certificate

Passed inspection

Packing content

- Device * 1
- Scale * 1
- Power Cable * 1
- Power Adapter * 1
- Installation Tools Set *1
- User Manual *1



3-06-10-765

FCC Warning

This device complies with part 15 of the FCC rules. Operation is subject to the following two conditions: (1) this device may not cause harmful interference, and (2) this device must accept any interference received, including interference that may cause undesired operation.

Changes or modifications not expressly approved by the party responsible for compliance could void the user's authority to operate the equipment.

NOTE: This equipment has been tested and found to comply with the limits for a Class B digital device, pursuant to part 15 of the FCC Rules. These limits are designed to provide reasonable protection against harmful interference in a residential installation. This equipment generates uses and can radiate radio frequency energy and, if not installed and used in accordance with the instructions, may cause harmful interference to radio communications. However, there is no guarantee that interference will not occur in a particular installation. If this equipment does cause harmful interference to radio or television reception, which can be determined by turning the equipment off and on, the user is encouraged to try to correct the interference by one or more of the following measures:

- Reorient or relocate the receiving antenna.
- Increase the separation between the equipment and receiver.
- Connect the equipment into an outlet on a circuit different from that to which the receiver is connected.
- Consult the dealer or an experienced radio/TV technician for help.

Radiation Exposure Statement

This equipment complies with FCC radiation exposure limits set forth for an uncontrolled environment. This equipment should be installed and operated with minimum distance 20cm between the radiator and your body.