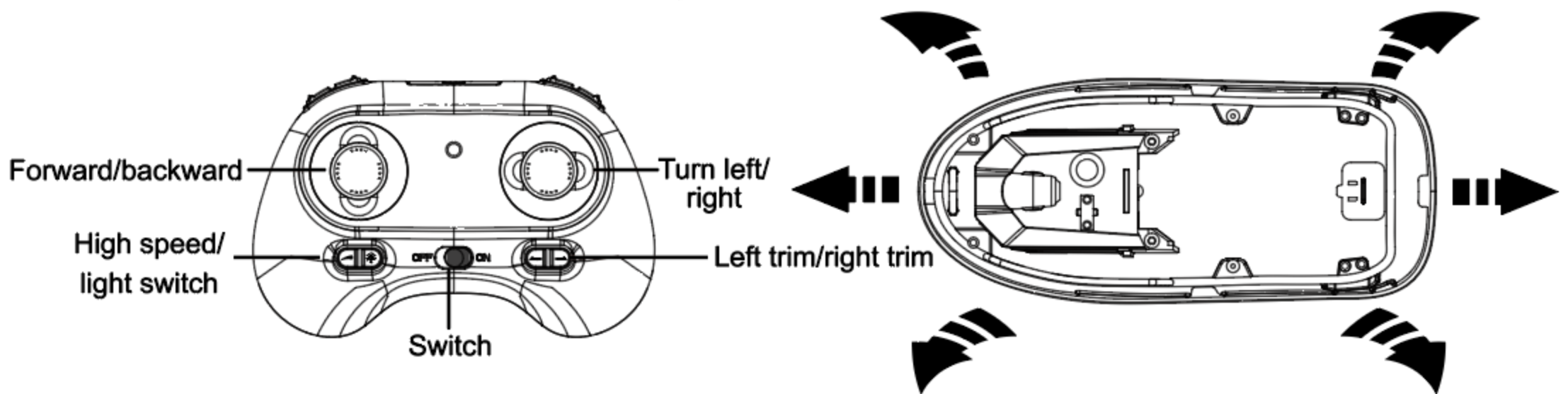


SHIP'S SPECIFICATION

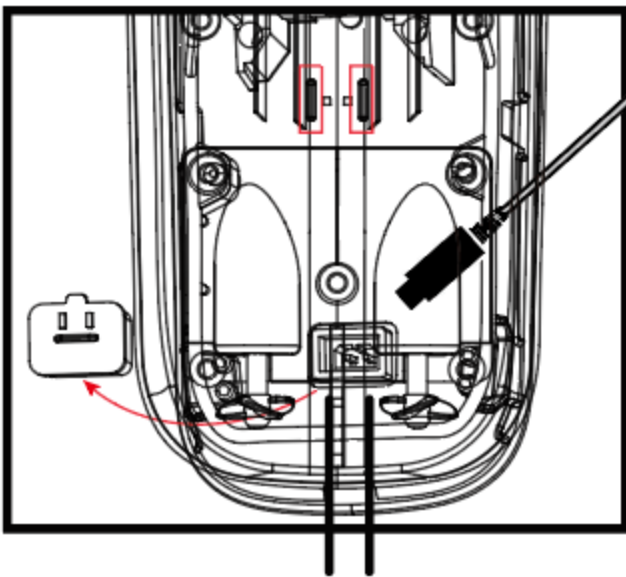
Remote control and boat operation

1. Remote control button function:

- (1): Turn on the remote control. Put the hull into the water and activate the power supply to complete the frequency matching.
- (2): When the forward/backward button is pressed, the ship can move forward/backward.
- (3): When pressing the forward button and holding down the left/right turn button at the same time, the ship can advance left/right turn.
- (4): Press the left button separately, and the ship will rotate in place in the left direction. Press the right turn button alone, and the boat will rotate in place in the right direction.
- (5): When the left fine-tuning/right fine-tuning button is pressed, the straight-line driving performance of the ship can be adjusted.



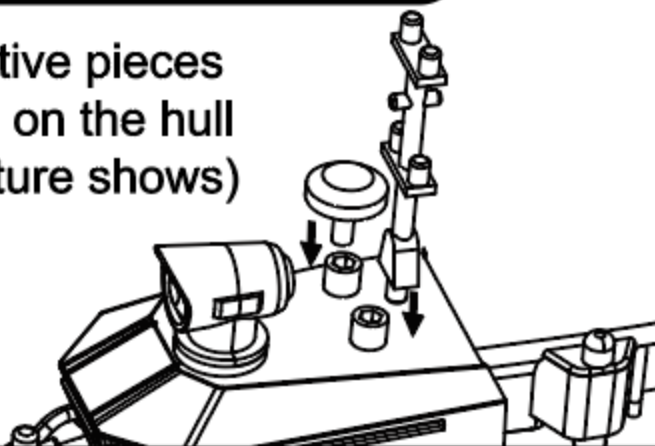
Charging method



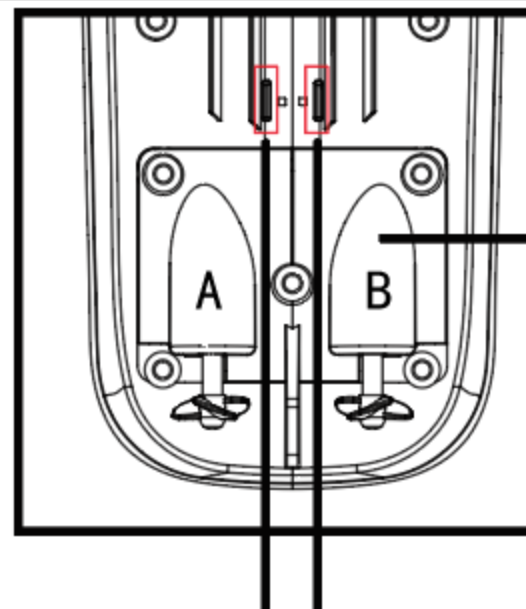
Unplug the charging cable cover and plug in the charging cable to charge. The lights on the hull will light up during charging, and the lights will go off when the battery is fully charged.

Accessories installation

put decorative pieces
Installation on the hull
(as the picture shows)



Electrification method



Replacing the propeller requires Corresponding to the blade The direction of A and B Corresponds to the hull

Put the boat into the water to get electricity

When using, first turn on the power switch of the remote control, and then Put it into the water, the contact point touches the water source, and the hull is energized. In the process of linking, after the linking is completed, the indicator light stays on. Notice: Do not put your hands near the propeller to prevent the propeller from rotating at high speed to injure people and make sure there are no obstacles around the propeller. if When stopping use, please take the boat out of the water, wipe it dry with a cloth and put it away. good. After the boat leaves the water and is dried, it will be in a power-off state. The boat propeller stopped spinning.

FCC Warning:

This equipment has been tested and found to comply with the limits for a Class B digital device, pursuant to part 15 of the FCC Rules. These limits are designed to provide reasonable protection against harmful interference in a residential installation. This equipment generates, uses and can radiate radio frequency energy and, if not installed and used in accordance with the instructions, may cause harmful interference to radio communications. However, there is no guarantee that interference will not occur in a particular installation. If this equipment does cause harmful interference to radio or television reception, which can be determined by turning the equipment off and on, the user is encouraged to try to correct the interference by one or more of the following measures:

- Reorient or relocate the receiving antenna.
- Increase the separation between the equipment and receiver.
- Connect the equipment into an outlet on a circuit different from that to which the receiver is connected.
- Consult the dealer or an experienced radio/TV technician for help.

Caution: Any changes or modifications to this device not explicitly approved by manufacturer could void your authority to operate this equipment.

This device complies with part 15 of the FCC Rules. Operation is subject to the following two conditions:

(1) This device may not cause harmful interference, and (2) this device must accept any interference received, including interference that may cause undesired operation.

This equipment complies with FCC radiation exposure limits set forth for an uncontrolled environment. This equipment should be installed and operated with minimum distance 0cm between the radiator and your body.