

Small drift high speed car instructions

Packing list



Remote control X1



Battery X1



USB charging cable X1

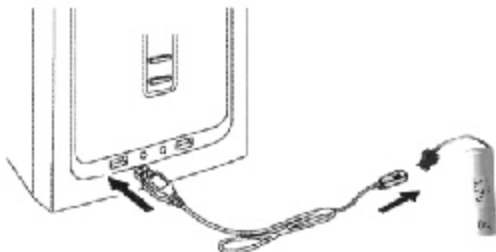


High-speed tire X4



Instruction manual X1

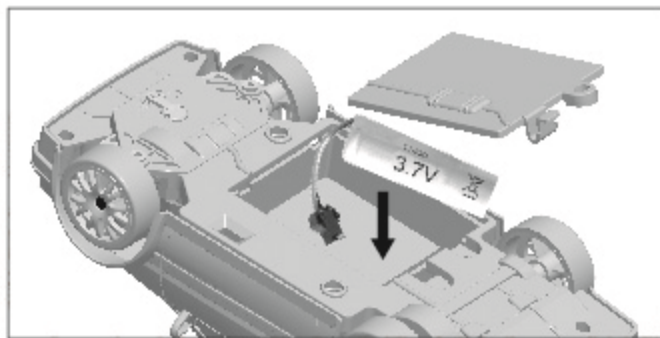
Remote control car and remote control battery installation and charging



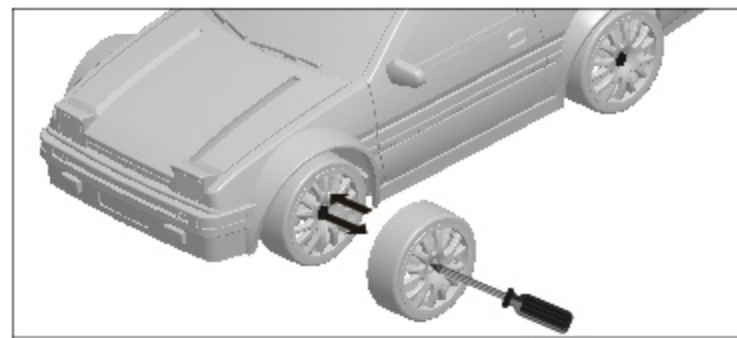
Connect the battery to the charging cable, then plug in the USB charging cable on the USB port of the computer or USB charger, then switch on power. A red light indicates charging. When the red light doesn't go on it means full.

Remote control battery installation method

- (1) Open the battery cover of the remote control.
- (2) Load 1.5V "AA" according to the correct polarity 2 batteries, cover the battery cover and lock the screw.



After charging is complete, turn the battery Put in battery compartment locking screws

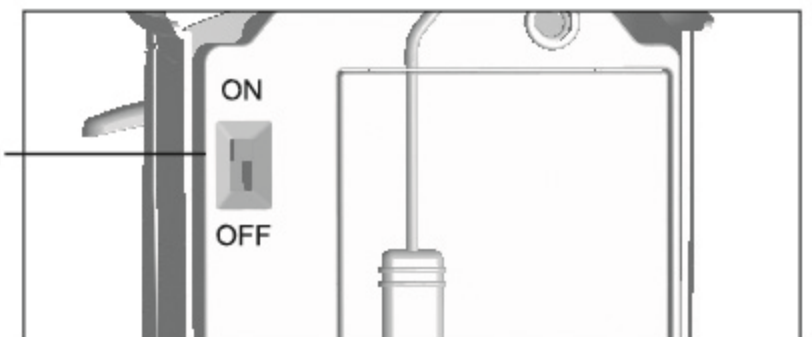


4 high-speed tires are included in the package and can be self-propelled Replace the drift tire.

Operation method

1. Turn the power switch of the remote control car to the "ON" position. Put the remote control car on a flat surface, turn on the remote control switch, when the remote control light stops blinking, you can flip the joystick Perform operations. (Note: The remote control light can not be flipped when flashing)

Power switch



Product use basic operation diagram

Turn left/right Steering wheel



Forward/backward joystick

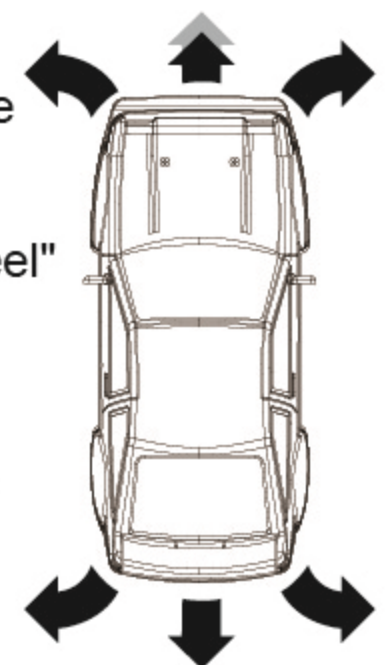
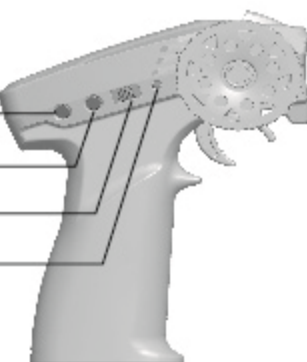
1. Pull the remote control lever back to control the car Move forward. Move forward to reverse the remote control car.

- 2, turn clockwise "right turn/right turn steering wheel" The car turns right, counterclockwise, "left/left. Steering "The car turned left.

3. High and Low speed button Factory default low speed Press the switch button, the body light flashes twice to high gear, Press flash again to switch to low gear

4. Light switch: Click to turn on the body light, then press to turn off the body light.

Light switch
High and low speed switching
Power switch
Power indicator light



FCC Warning:

This equipment has been tested and found to comply with the limits for a Class B digital device, pursuant to part 15 of the FCC Rules. These limits are designed to provide reasonable protection against harmful interference in a residential installation. This equipment generates, uses and can radiate radio frequency energy and, if not installed and used in accordance with the instructions, may cause harmful interference to radio communications. However, there is no guarantee that interference will not occur in a particular installation. If this equipment does cause harmful interference to radio or television reception, which can be determined by turning the equipment off and on, the user is encouraged to try to correct the interference by one or more of the following measures:

- Reorient or relocate the receiving antenna.
- Increase the separation between the equipment and receiver.
- Connect the equipment into an outlet on a circuit different from that to which the receiver is connected.
- Consult the dealer or an experienced radio/TV technician for help.

Caution: Any changes or modifications to this device not explicitly approved by manufacturer could void your authority to operate this equipment.

This device complies with part 15 of the FCC Rules. Operation is subject to the following two conditions:

(1) This device may not cause harmful interference, and (2) this device must accept any interference received, including interference that may cause undesired operation.

This equipment complies with FCC radiation exposure limits set forth for an uncontrolled environment. This equipment should be installed and operated with minimum distance 0cm between the radiator and your body.