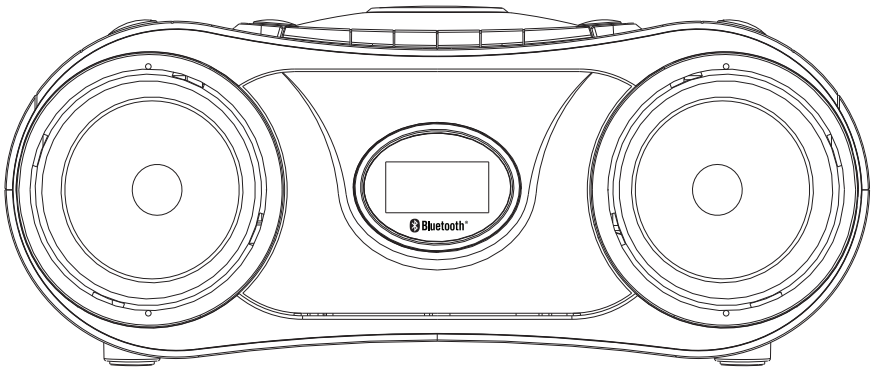


Instruction Manual

Vivitar Bluetooth Boombox Speaker



Contents

Warnings and Precautions	2
Important Safety and Instructions	4
Warnings	5
Feature Controls	6,7
Getting Started / Main Operation	8
DC Batteries / AC Power Operation	8,9
Listening to Radio	9
Listening to CD	10
Using Bluetooth	11
Using AUX-In	12
Listening to a Cassette	12,13
Technical Specifications	14

Warnings and Precautions

Caution:

- TO PREVENT ELECTRIC SHOCK, FULLY INSERT THE PLUG INTO THE OUTLET, ENSURING THE WIDE PRONG IS IN THE CORRECT SLOT.
- Use of any controls or adjustments or performance of procedures other than those herein specified may result in hazardous radiation exposure.
- There is a danger of explosion if batteries are placed incorrectly.

Warning:

- To reduce the risk of fire or electric shock, do not expose this apparatus to rain or moisture.
- Do not place the unit on top of any soft, porous, or sensitive surfaces to avoid damaging the surface. Use a protective barrier between the unit and surface to protect the surface.
- Use of this unit near fluorescent lighting may cause interference.
- There is a danger of explosion if you attempt to charge standard alkaline batteries in the unit. Only use rechargeable NiMH batteries.
- Shock Hazard - Do Not Open.
- Mains plug is used as disconnect device and it should remain readily operable during intended use. In order to disconnect the apparatus from the main completely, the mains plug should be disconnected from the mains socket outlet completely.
- Do not mix old and new batteries. Do not mix alkaline, standard (carbon-zinc), or rechargeable (Ni-Cad, Ni-Mh, etc.) batteries.

CAUTION

RISK OF ELECTRICAL SHOCK
DO NOT OPEN

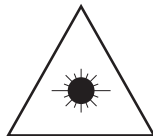
WARNING: TO REDUCE THE RISK OF ELECTRIC SHOCK, DO NOT REMOVE COVER (OR BACK). NO USER-SERVICEABLE PARTS INSIDE. THIS UNIT MUST BE SERVICED BY QUALIFIED SERVICE PERSONNEL.



The lightning flash with arrowhead symbol, within an equilateral triangle, is intended to alert the user to the presence of uninsulated “dangerous voltage” within the product’s enclosure that may be of sufficient magnitude to constitute a risk of electric shock.



The exclamation point within an equilateral triangle is intended to alert the user to the presence of important operating and maintenance (servicing) instructions in the literature accompanying the appliance.



This product utilizes a Class 1 laser to read compact discs. The laser Compact Disc Player is equipped with safety switches to avoid exposure when the CD door is open and the safety interlocks are defeated. Invisible laser radiation is present when the CD Player’s lid is open and the system’s interlock has failed or been defeated. It is very important that you avoid direct exposure to the laser beam at all times. Please do not attempt to defeat or bypass the safety switches.

Important Safety Instructions

1. Please read, follow and keep these instructions and comply with all recommended cautions.
2. Do not use this unit near water.
3. Clean with a dry cloth only.
4. Do not block ventilation openings.
5. Do not place the unit near any heat sources such as radiators, heat registers, stoves, or other apparatus (including amplifiers) that produce heat.
6. Follow safety precautions and use a polarized or grounded-type plug. A polarized plug has two blades with one prong wider than the other. A grounded-type plug has two prongs and a third grounding prong. The wide blade or the third prongs are provided for your safety. If the provided plug does not fit your outlet, consult an electrician for replacement of the obsolete outlet.
7. Protect the power cord from being walked on or pinched, particularly at plugs, or where they exit the unit.
8. Only use attachments and accessories specified by the manufacturer.
9. Unplug the unit during lightning storms or when unused for long periods of time.
10. Refer all service needs to qualified service personnel. Servicing is required if the unit has been damaged in any way, such as power cord (or plug damage), if liquid has been spilled or objects have fallen into the unit, if exposed to rain or moisture, or if dropped and not working properly.

Note: When placing your unit on a lacquered or natural finish, protect your furniture with a cloth or other protective material.

FCC Warnings

Any Changes or modifications not expressly approved by the party responsible for compliance could void the user's authority to operate the equipment.

This device complies with part 15 of the FCC Rules. Operation is subject to the following two conditions: (1) This device may not cause harmful interference, and (2) this device must accept any interference received, including interference that may cause undesired operation.

Note:This equipment has been tested and found to comply with the limits for a Class B digital device, pursuant to Part 15 of the FCC Rules. These limits are designed to provide reasonable protection against harmful interference in a residential installation. This equipment generates, uses, and can radiate radio frequency energy and, if not installed and used in accordance with the instructions, may cause harmful interference to radio communications. However, there is no guarantee that interference will not occur in a particular installation. If this equipment does cause harmful interference to radio or television reception, which can be determined by turning the equipment off and on, the user is encouraged to try to correct the interference by one or more of the following measures:

- Reorient or relocate the receiving antenna.
- Increase the separation between the equipment and receiver.
- Connect the equipment into an outlet on a circuit different from that to which the receiver is connected.
- Consult the dealer or an experienced radio / TV technician for help.

FCC Radiation Exposure Statement:

This equipment complies with FCC radiation exposure limits set forth for an uncontrolled environment .This equipment should be installed and operated with minimum distance 20cm between the radiator& your body.

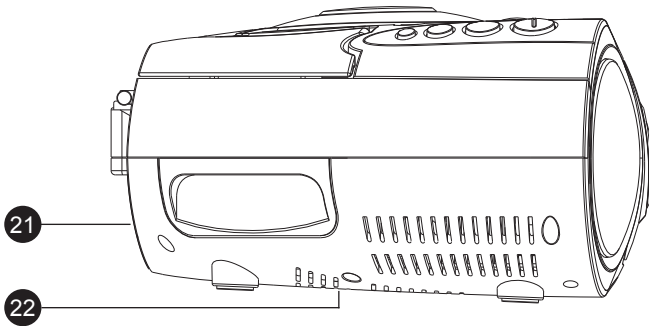
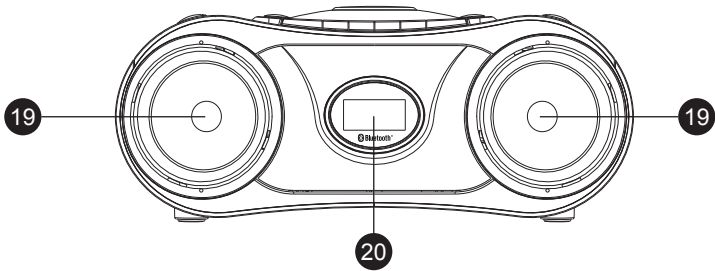
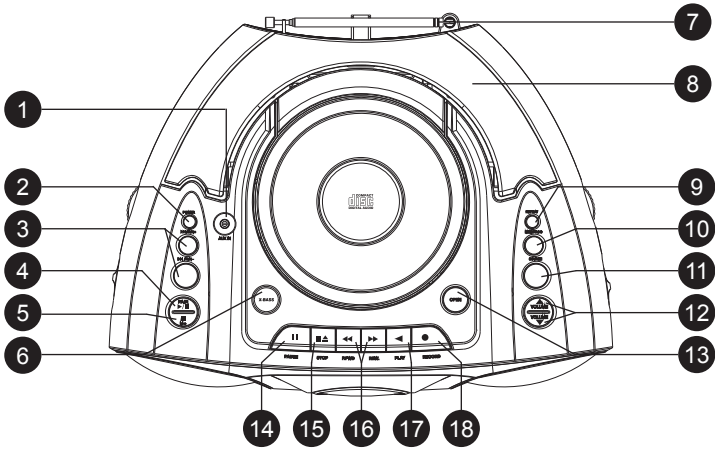
Additional Warnings

- The apparatus shall not be exposed to dripping or splashing and that no objects filled with liquids, such as vases, shall be placed on apparatus.
- Main plug is used as disconnect device and it should remain readily operable during intended use. In order to disconnect the apparatus from the mains completely, the mains plug should be disconnected form the mains socket outlet completely.
- Battery shall not be exposed to excessive heat such as sunshine, fire or the like.
- Caution marking is located at the rear or back of the apparatus.
- The marking information is located at the rear or back of apparatus.



This symbol indicates that this product incorporates double insulation between hazardous mains voltage and user accessible parts.

Feature Controls



Feature Controls

1. AUX-In Jack (Line in)
2. Power Button
3. **▶▶** Tune+ or **◀◀** /Tune- Button
4. Play/Pause/Pair Button **▶/||**
5. Stop/M+ (Memory Up) Button **■/M+**
6. X-BASS Button
7. FM Antenna Rod
8. Carrying Handle
9. Repeat Button
10. MEM/PROG Button
11. Source Button
12. Volume Buttons
13. CD Open Button
14. Cassette Pause Button
15. Cassette Stop/Eject Button
16. Cassette F.FWD/REW Button
17. Cassette Play Button
18. Cassette Rec Button
19. Speakers
20. LCD Display
21. DC in (DC-6v)
22. Battery Compartment ("C" Battery x8)

Getting Started / Main Operation

Power On the Unit:

Press the **Power** button to turn the unit on or off.

Adjusting the Volume:

Press the **Volume** buttons to increase or decrease the volume level.

Adjusting the Antenna Rod:

The antenna should be extended to ensure good reception. It may be necessary to alter the position of the unit and/or antenna to achieve the best signal.

Using Headphones:

This unit can support up to 6 headphones connected together. The headphone sockets are located on the side of the unit. The headphones must be compatible with a 3.5mm diameter plug.

X-BASS (Bass Boost):

Press the X-BASS button to turn on or off X-BASS function.

DC Batteries / AC Power Operation

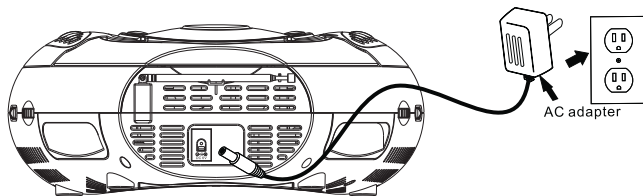
Battery Operation:

Before installing batteries, ensure that the unit is disconnected from the main AC power supply. Remove the battery compartment cover on the bottom of the unit.

This unit utilizes (8) 1.5V C-size batteries (not included). Be careful to insert the batteries according to the correct polarity +/- . Never mix old and new batteries. Re-attach the cover. For battery operation, disconnect the main AC power supply and remove the cable from the power socket. Battery operation will be selected automatically.

AC Operation:

Use the 6V adapter (included) by connecting the small end of adapter cable into the DC jack at the rear of the unit. Insert the adapter plug into a conveniently-located AC outlet. **Please ensure that your mains supply is compatible before use.**



Listening to the Radio

Using the Radio:

1. Press the **Source** button to select **FM** mode.
2. The **LCD Display** will show the frequency of the radio.

Automatic Radio Tuning:

1. In **FM** mode, press the **▶▶/Tune+** or **◀◀/Tune-** to manually scan through the frequency band.
2. If the reception does not improve, try altering the position/length of the antenna. If the reception is still poor, scan again to determine whether a stronger signal exists for the desired frequency.

Programming Radio Presets:

You can preset up to 20 stations.

1. Tune to the station you wish to preset (see Using the Radio).
2. Press the **MEM/PROG** button, the preset station number (P01-P20) will appear on the display.
3. Use the **Stop/M+** button to select the preset position.
4. Press the **MEM/PROG** button again to save the current station into the specified preset.
5. Repeat steps 1-4 to store additional radio presets.

Recall a Preset Radio Station:

1. Press the **Stop/M+** button to search for your preset radio stations.

Listening to CDs

Insert a CD:

1. Open the CD door by pressing the Open button.
2. Insert a disc into the disc compartment with the title side up.
3. Close the CD compartment door.

Removing a CD:

Press the **Stop/M+** button once, open the CD door by pressing **Open** button. Remove the CD when it has stopped spinning.

Playing a CD:

1. Press the **Source** button to select CD mode.
2. Insert CD into player, “---” will appear for a few seconds, and the total track/ file number will appear on the display and the CD will automatically start playing.
3. Press **▶▶/Tune+** or **◀◀/Tune-** button to jump to next/previous track playing.
4. Press and hold the **▶▶/Tune+** or **◀◀/Tune-** button to fast forward/rewind the track playing.
5. Press the **Play/Pause/Pair** button to pause the CD playing. Press again to resume play.
6. Press the **Stop/M+** button to stop the CD playing.
7. After all tracks have been played, the CD player will stop automatically.

Programming CD Tracks:

You can preset up to 20 program tracks for easy access. “FU” will appear on the LCD display when 20 tracks have been programmed.

1. Make sure the CD is not running by pressing the **Stop/M+** button.
2. Press the **MEM/PROG** button once, and “P01” will blink on the LCD display, then “00” will appear on the LCD display.
3. Press the **▶▶/Tune+** or **◀◀/Tune-** button until the display shows the desired track number.
4. Press the **MEM/PROG** button to store the selection
5. Repeat steps 3-4 to store additional tracks.
6. Once the last desired track is programmed, press the **MEM/PROG** button to complete the programming process.
7. To play the stored sequence, press the **Play/Pause/Pair** button.
8. To cancel program, press the **Stop/M+** button twice.
9. After all memory tracks have been played, the player will stop automatically.

Using Repeat Function:

1. Press the **Repeat** button once to repeat current track playing.
2. Press the **Repeat** button twice to repeat all tracks on the CD.
3. To cancel the repeat function, press the **Repeat** button until “**1 or ALL**” icons disappear or press the **Stop/M+** button.

Using a Bluetooth® Device

This unit can connect to any Bluetooth®-enabled device by following the steps below.

Setup Your Unit on Bluetooth® (bt) Mode:

1. Press the **Source** button to select (**bt**) mode.
2. “**bt**” will be flashing on the LCD display.
3. Follow the next step below.

Set your Bluetooth®-Enabled Device to “Discover” Your Unit:

1. First make sure that Bluetooth® is activated on your device.
2. Then, set your Bluetooth®-enabled device to search for your unit. This usually involves going to “setup”, “connect” or Bluetooth® menu on your device and selecting the option to search/scan/discover a Bluetooth® device.
3. Your device will find the unit under the name “**Vivitar Boombox**”.
4. Your Bluetooth®-enabled device will then ask to pair with the unit.
5. Accept by pressing “yes” or “ok” on the Bluetooth®-enabled device.
6. When Bluetooth®-enabled device has been successfully paired, the “**bt**” digits of LCD display will stop flashing and make a sound.

Note: These steps must be repeated when pairing any new Bluetooth®-enabled device.

Warning: If connection is unsuccessful, the “**bt**” will flash slowly on the LCD display.

After Initial Pairing:

If the unit has already been paired with a Bluetooth®-enabled device, it will automatically start searching for the previously paired device. Once the previously paired device is found, the “**bt**” digits will stop flashing and make a sound.

Playing Audio Via Bluetooth®:

1. When Bluetooth® has been successfully paired, press the **Play/Pause/Pair** button to play or pause music from your unit.
2. Press **▶▶/Tune+ ◀◀/Tune-** or button to jump to next/previous music track.
3. Music can also be controlled from the Bluetooth®-enabled device.

Incoming Call:

The volume of the music will automatically lower when you have an incoming call. When the call is complete, the music will resume at the original set volume.

Using AUX-In (line in)

Requires a 3.5mm cable (not included), and external media player (not included)

1. Press the **Source** button to select **AUX** mode.
2. Plug a 3.5mm audio cable into your external media player (via the headphone jack or AUX out or Line out).
3. Plug the other end of the cable to the **AUX-In** jack of the unit.
4. Make sure both units are turned on.
5. Use the controls on the connected media player to select and play audio.
6. Music can only be controlled from the media player.

Listening to a Cassette

Insert or Remove a Cassette Tape:

1. **To insert your cassette tape:** Press the **Stop/Eject** button to open the cassette door. Insert your cassette tape into the compartment with the exposed section of the tape facing upward. The side that you wish to listen to record onto should be facing towards you. Push the cassette door unit it locks in place.
2. **To remove your cassette tape:** Press the **Stop/Eject** button to open the door then lift the cassette out.

Playing Cassettes:

1. Press the **Source** button to select **Tape** mode.
2. When the Tape mode is selected, "**TAP**" will appear on the LCD display.
3. Insert the cassette tape and press the **PLAY** button.
4. The unit will automatically stop playing when it has reached the end of the cassette. If you wish to continue playing the cassette; please press **Stop/Eject**, remove the cassette, flip the cassette over to the other side, reinsert the cassette and press **Play**.
5. Press the **Stop/Eject** button to stop the tape. Press the **Stop/Eject** button again to open the cassette door.
6. Press **F.FWD** or **REW** button to fast forward or rewind through the tape.

Note: To avoid damage to the unit and your cassette, press the **Stop/Eject** in between each operation. For example; when fast forwarding your cassette while playing, always pres **Stop/Eject** before pressing **F.FWD**.

Recording to Your Cassette Tape:

1. Insert a cassette.
2. Select the source you want to record (**CD/FM/BT/AUX-In/TAP**) and start playing the selected source.
3. If you select **TAPE** mode, you can speak into the unit to record your voice. For best results, make sure you are facing the cassette door.
4. Press the **Record** button to start recording.
5. To stop recording, press the **Stop/Eject** button once.
6. To playback the recording, press the **REW** button to rewind, then press the **Play** button to start playing.

Technical Specifications

- Bluetooth®
- Adapter AC Input: AC100-240V~50/60Hz
- Adapter DC Output: DC 6V 1.2A
- Batteries Power: DC 12V (8x1.5V) "C" size UM-2/LR14 Batteries
- Output Power: 2 x 2 Watts
- Speaker: 76mm (3") Cone Type
- AUX-In: 3.5mm Jack
- Headphone: 3.5mm x 6
- Dimensions: 13.39" L x 10.24" D x 5.31" H
- Weight: 5.07 lbs.
- Operation Temperature: +41°F - +95°F
- General Frequency: FM 88 - 108 MHz
- CD Optical Pick-Up Lens: 3 Bean Semiconductor Laser