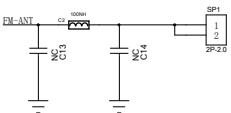
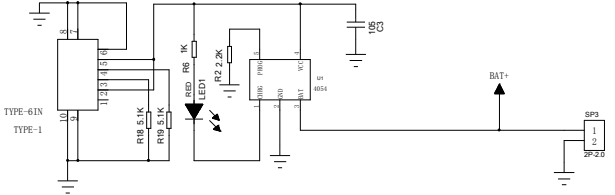
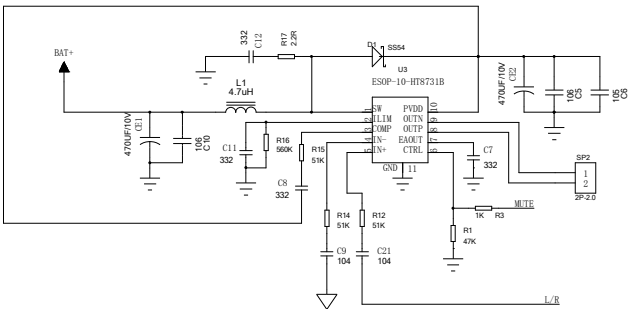
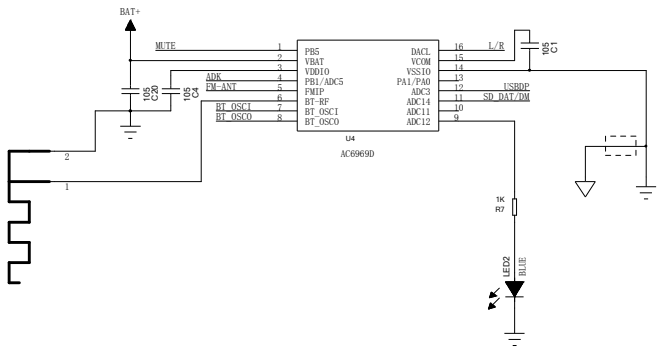
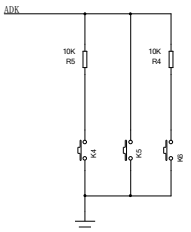
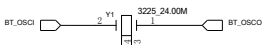


REVISION RECORD			
LTR	ECO NO:	APPROVED:	DATE:



DM SD\_DAT/DM  
 DP LSBRP



D

D

C

C

B

B

A

A