

6

5

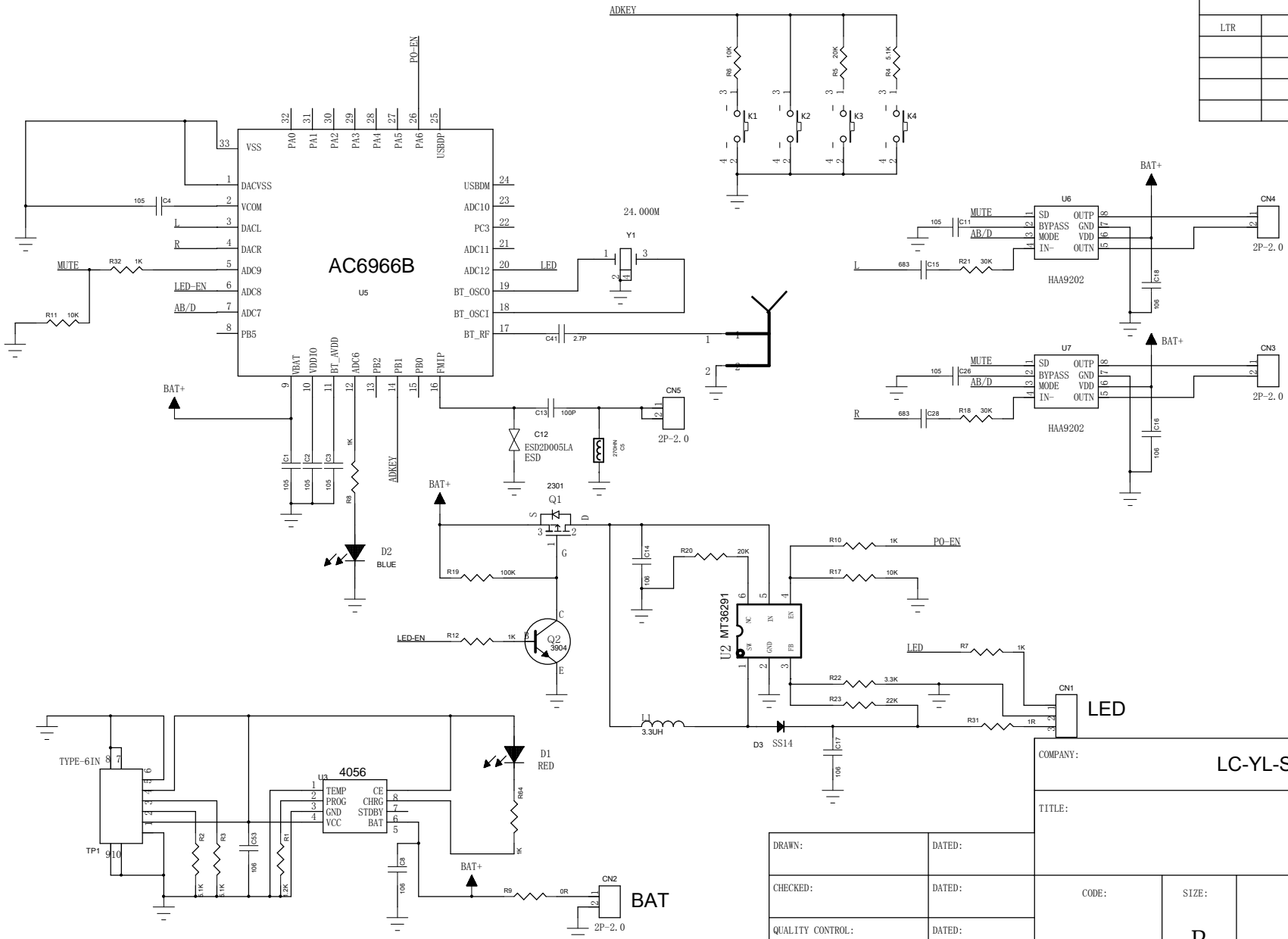
4

3

2

1

REVISION RECORD			
LTR	ECO NO:	APPROVED:	DATE:



COMPANY: LC-YL-S2338-V2.1

TITLE:

CODE:	SIZE:	DRAWING NO:	REV:
	B		

DRAWN:	DATED:
CHECKED:	DATED:
QUALITY CONTROL:	DATED:
RELEASED:	DATED:

SCALE: SHEET: 1 OF 1

D

D

C

C

B

B

A

A