



Professional RF research and
development institutions

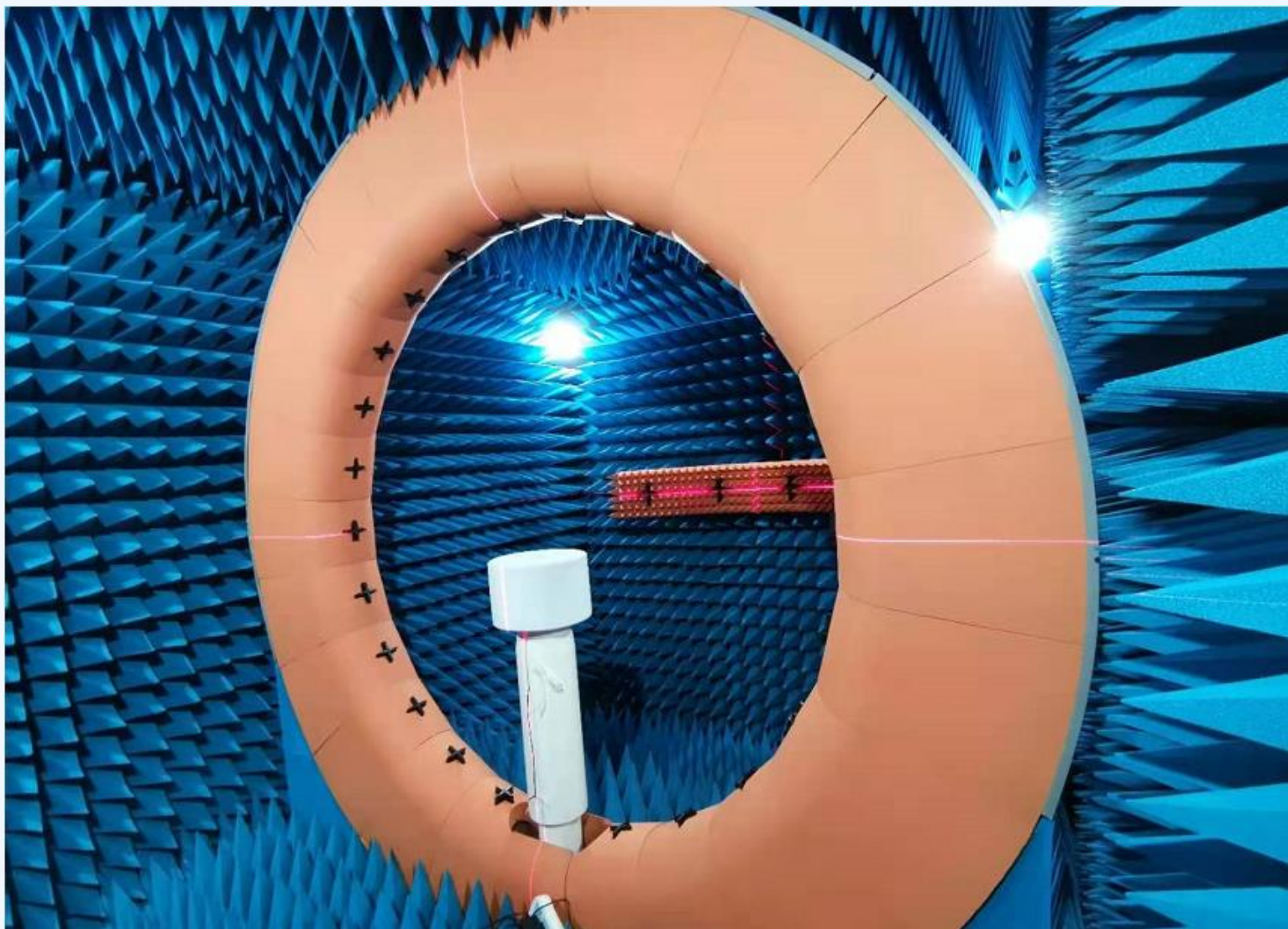


Shenzhen Anchuang Zhilian Electronics Co. LTD

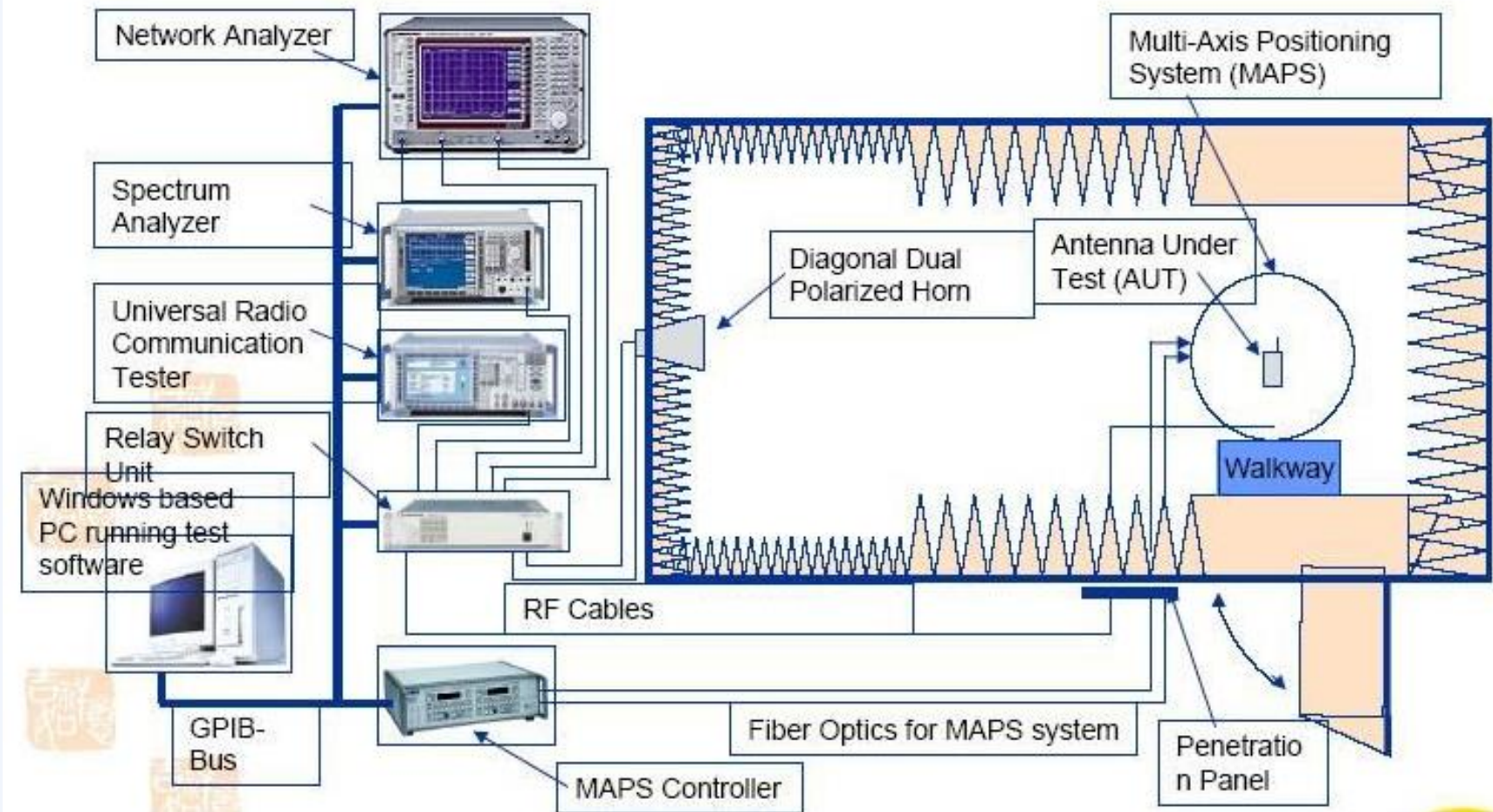
Antenna debugging report

Item information

Client:	Jiaxinjie	Project name		Date	2023. 3. 17
Frequency band	2400-2500				
antenna structure	Glue stick antenna				
RF Engineer	Zhao Yang				
EM Engineer	QING CHUANG HUI				
Report version	V1.0				



Test system

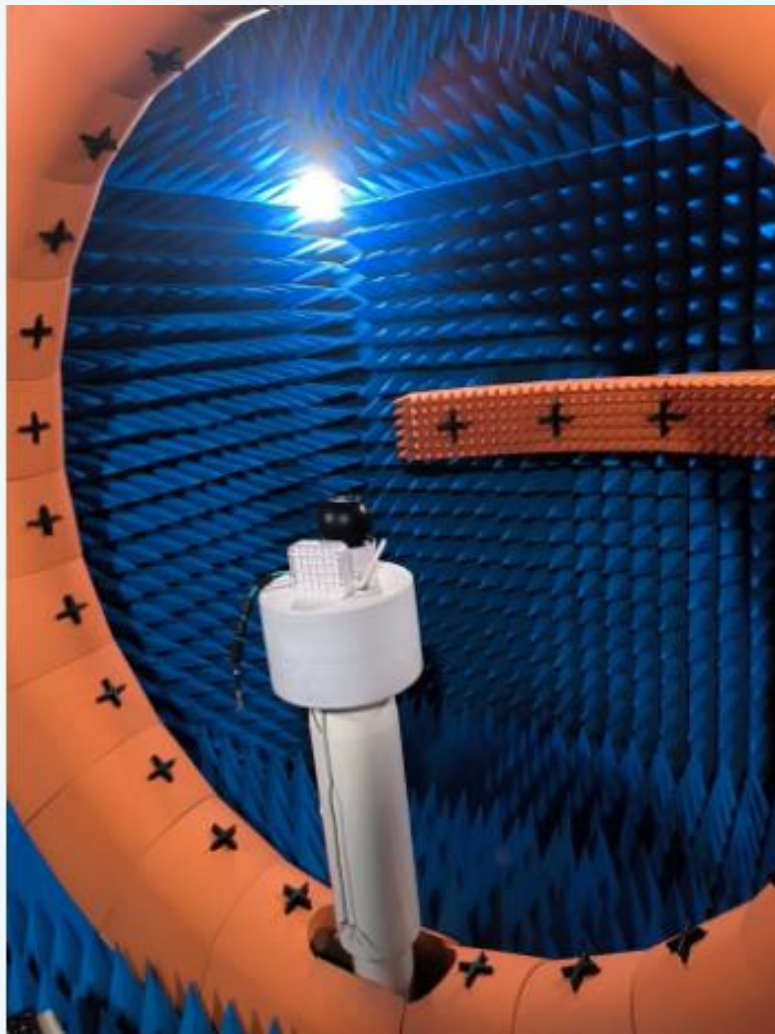


1.2 Testing environment

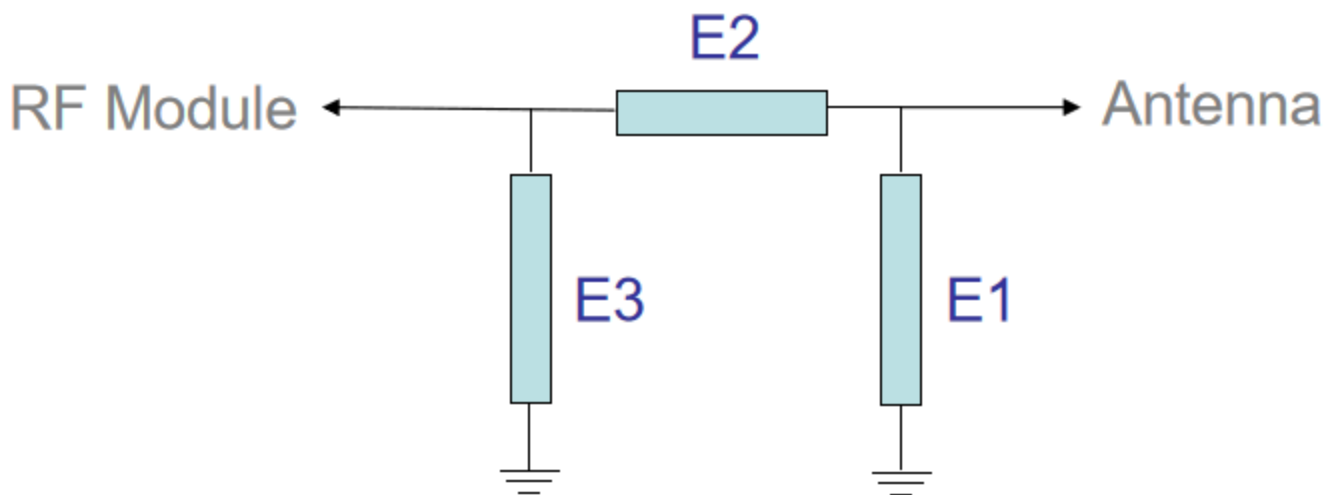
Testing environment	XH-IOE MPS2440 Test System
Environment temperature	23 °c
Ambient humidity	52%
Ambient pressure	101KPa

- 1、Product drawing
- 2、Match circuit
- 3、Test data

Product drawing



Match circuit



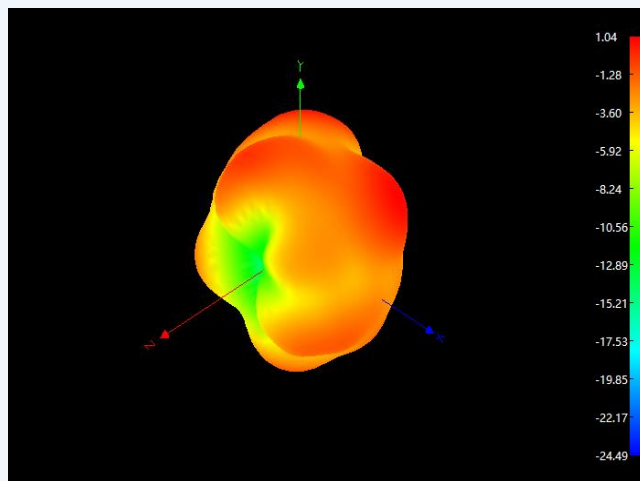
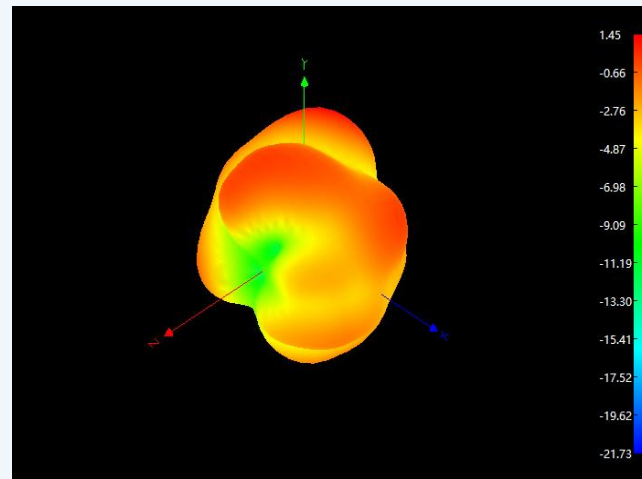
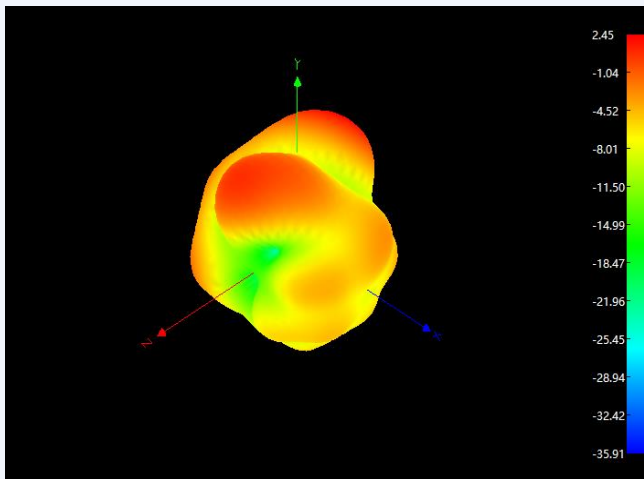
Element	Value
E1(0402)	
E2(0402)	
E3(0402)	
The original match is unchanged	

Frequency	Efficiency	Efficiency	Gain/ dBi
2400	-3.64	43.25	2.45
2410	-3.59	43.75	2.06
2420	-3.68	42.85	2.19
2430	-3.63	43.35	1.81
2440	-3.56	44.06	2.12
2450	-3.88	40.93	1.45
2460	-3.97	40.09	1.48
2470	-4.15	38.46	1.07
2480	-4.27	37.41	0.93
2490	-4.28	37.33	0.84
2500	-4.15	38.46	1.04

Standing wave pattern



Directional diagram



Professional RF research and
development institutions

Thank You !

