

Shenzhen Smartpet Technology Co., Ltd.

Letter of Antenna declaration

Date:2023-07-21

FCC ID: 2AYAF-V8

Product name: Dog Training Collar

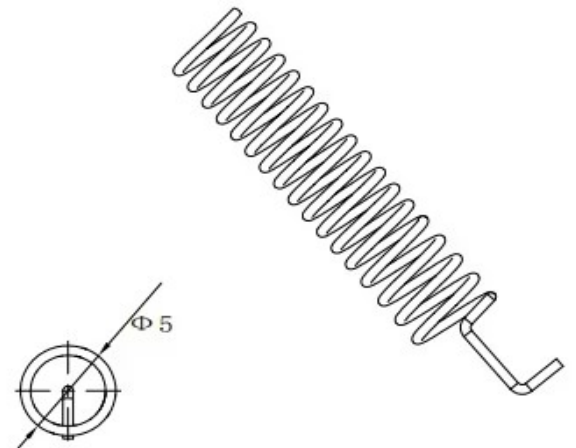
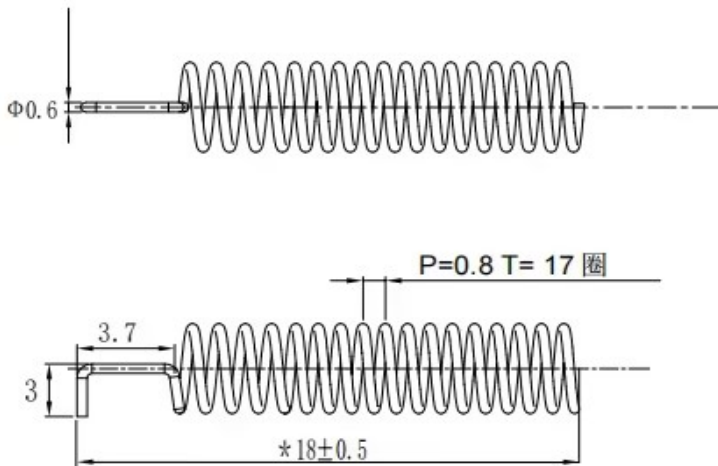
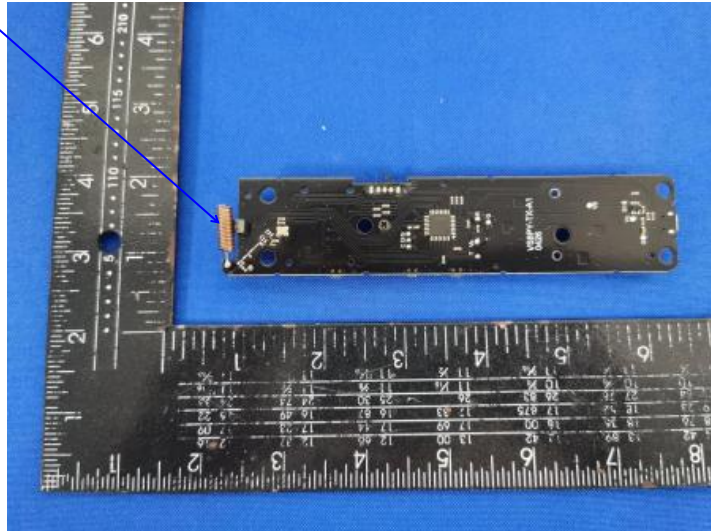
Model Number: V8

According to the FCC TCB Workshop on October 26, 2022, Part 15 Antenna Update requirement.

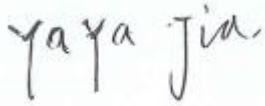
We, Shenzhen Smartpet Technology Co., Ltd. Declare all measurements were performed radiated for 433.92MHz(Wireless Data Transfer) function and therefore additional antenna gain document for this 433.92MHz antenna is not required.

433.92Mhz Spring Antenna dimensions photo:

Spring Antenna



Printed Name:

Handwritten signature "Yaya Jia" in black ink on a light green rectangular background.

Name: Jia Yaya

Company: Shenzhen Smartpet Technology Co., Ltd.

Job Title: Engineer

Email: jensen05@163.com

Telephone: 0755-21001923