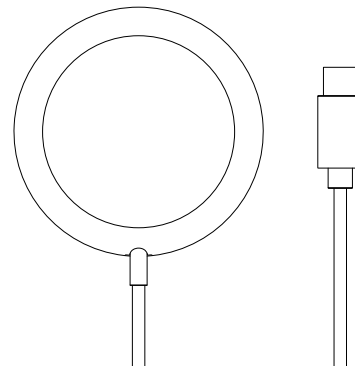


Magnetic wireless charger [L-FC-009]

User Manual

Product Introduction

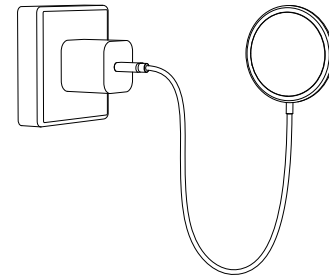
Thank you for choosing our Magnetic wireless charger. Please read over carefully and keep this manual for your records



Connecting to power adapter

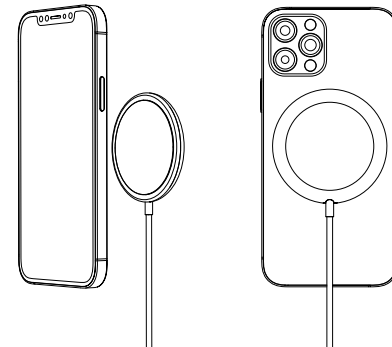
Connecting the Type-C interface of the Magnetic wireless charger to the power adapter

⚠ For a better charging experience, please use a power adapter above 18W



Charging the phone

After connecting to the power adapter, put the device on the middle of the phone back. It can be adsorbed automatically and charging the phone at the same time



Wireless applicable device

Devices built-in wireless charging receiver and support fast wireless charging
[Galaxy S9 Plus/S10/S10 Plus/Note 10/Note 10 Plus, Huawei P30 Pro/Mate30/Mate30 Pro/P40 Pro stand charger for Iphone XS Max/Xr/11/11 Pro/11 Pro Max and all Qi-enabled devices]

⚠ Magnetic charging equipment
[Iphone 12mini/12/12Pro/12Pro Max]

Specifications

Model No.: L-FC-009
Product Specifications:
Input:
Output:
Transmission distance:
Charging efficiency:
Size:
Unit weight:

5V/2A, 9V/2A
5W/7.5W/10W/15W
≤ 8mm
≥ 80%
60*60*9mm
≈ 50g (NW)

Important notes

- Do not disassemble, attempt to open, or break the product
- Keep away from fire and Water
- Do not use in a hot or humid environment to prevent damage and potential harm to the user
- Keep away from items with a magnetic strip or chip card (credit cards, bank cards, etc.)
- This charger is not a toy, please keep away from children
- Keep a distance of 20cm between the charger and implantable medical devices to avoid potential interference

Standard accessories



Magnetic wireless charger



User Manual

NOTE: This equipment has been tested and found to comply with the limits for a Class B digital device, pursuant to part 15 of the FCC Rules. These limits are designed to provide reasonable protection against harmful interference in a residential installation. This equipment generates uses and can radiate radio frequency energy and, if not installed and used in accordance with the instructions, may cause harmful interference to radio communications. However, there is no guarantee that interference will not occur in a particular installation. If this equipment does cause harmful interference to radio or television reception, which can be determined by turning the equipment off and on, the user is encouraged to try to correct the interference by one or more of the following measures:

- Reorient or relocate the receiving antenna.
- Increase the separation between the equipment and receiver.
- Connect the equipment into an outlet on a circuit different from that to which the receiver is connected.
- Consult the dealer or an experienced radio/TV technician for help

Changes or modifications not expressly approved by the party responsible for compliance could void the user's authority to operate the equipment.

This device complies with Part 15 of the FCC Rules. Operation is subject to the following two conditions:
(1) this device may not cause harmful interference, and
(2) this device must accept any interference received, including interference that may cause undesired operation.

RF Exposure Warning Statements:

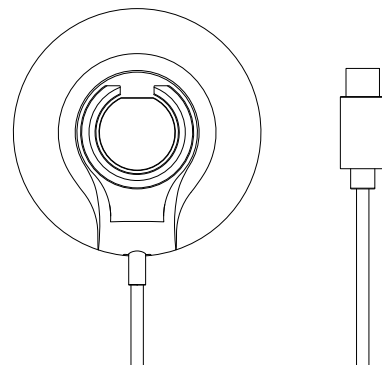
This equipment complies with FCC radiation exposure limits set forth for an uncontrolled environment.
This equipment shall be installed and operated with minimum distance 20cm between the radiator & body.

Magnetic wireless charger [L-FC-008]

User Manual

Product Introduction

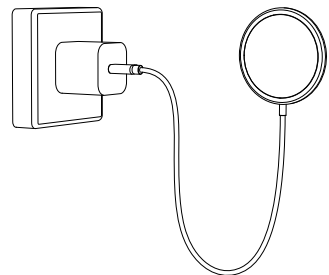
Thank you for choosing our Magnetic wireless charger. Please read over carefully and keep this manual for your records



Connecting to power adapter

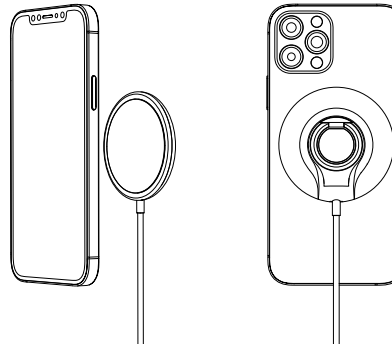
Connecting the Type-C interface of the Magnetic wireless charger to the power adapter

⚠ For a better charging experience, please use a power adapter above 18W



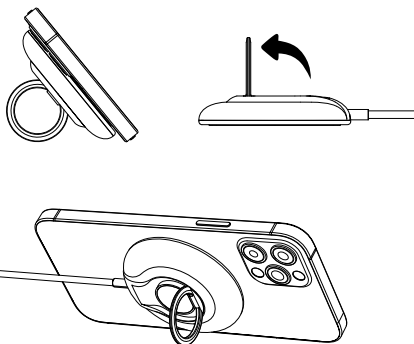
Charging the phone

After connecting to the power adapter, put the device on the middle of the phone back. It can be adsorbed automatically and charging the phone at the same time



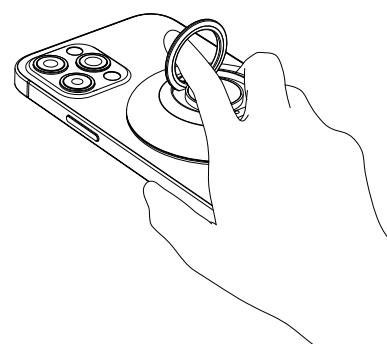
Portable stand

Pull the ring hold the phone as a stand



Ring protection

Pull the ring and put into your finger to avoid dropping off



Wireless applicable device

Devices built-in wireless charging receiver and support fast wireless charging
[Galaxy S9 Plus/S10/S10 Plus/Note 10/Note 10 Plus, Huawei P30 Pro/Mate30/Mate30 Pro/P40 Pro stand charger for Iphone XS Max/Xr/11/11 Pro/11 Pro Max and all Qi-enabled devices]

⚠ Magnetic charging equipment
[Iphone 12mini/12/12Pro/12Pro Max]

Specifications

Model No.: L-FC-008
Product Specifications:
Input:
Output:
Transmission distance:
Charging efficiency:
Size:
Unit weight:

5V/2A, 9V/2A
5W/7.5W/10W/15W
≤ 8mm
≥ 80%
60*60*12mm
≈ 55g (NW)

Important notes

- Do not disassemble, attempt to open, or break the product
- Keep away from fire and Water
- Do not use in a hot or humid environment to prevent damage and potential harm to the user
- Keep away from items with a magnetic strip or chip card (credit cards, bank cards, etc.)
- This charger is not a toy, please keep away from children
- Keep a distance of 20cm between the charger and implantable medical devices to avoid potential interference

Standard accessories



Magnetic wireless charger



User Manual

NOTE: This equipment has been tested and found to comply with the limits for a Class B digital device, pursuant to part 15 of the FCC Rules. These limits are designed to provide reasonable protection against harmful interference in a residential installation. This equipment generates uses and can radiate radio frequency energy and, if not installed and used in accordance with the instructions, may cause harmful interference to radio communications. However, there is no guarantee that interference will not occur in a particular installation. If this equipment does cause harmful interference to radio or television reception, which can be determined by turning the equipment off and on, the user is encouraged to try to correct the interference by one or more of the following measures:

- Reorient or relocate the receiving antenna.
- Increase the separation between the equipment and receiver.
- Connect the equipment into an outlet on a circuit different from that to which the receiver is connected.
- Consult the dealer or an experienced radio/TV technician for help

Changes or modifications not expressly approved by the party responsible for compliance could void the user's authority to operate the equipment.

This device complies with Part 15 of the FCC Rules. Operation is subject to the following two conditions:
(1) This device may not cause harmful interference, and
(2) This device must accept any interference received, including interference that may cause undesired operation.

RF Exposure Warning Statements:

This equipment complies with FCC radiation exposure limits set forth for an uncontrolled environment.
This equipment shall be installed and operated with minimum distance 20cm between the radiator & body.