

# 承认书

## SPECIFICATION FOR APPROVEAL

客户名称(CUSTOMER): Shenzhen ICHECKKEY Technology Co.,Ltd.

客户料号(PART NO.): BLS0-F19.5×27.5-65-FR

品名(DESCRIPTION): 双线圈+磁片 Double coil + magnetic disc

规格(SPECIFICATION): 19.5x27.5,0.08×105P, 磁边起65MM

日期 DATE): 20230804

本司确认 (TRX APPROVAL)		
制作Make	审核Audit	承认日期 Date of recognition
曾小仙	邱志辉	20230804
客户确认 (CUSTOMER APPROVAL)		
工程Engi neer	批准Approver	承认日期 Date of recognition
确认结果(Result): <input type="checkbox"/> 合格 <input type="checkbox"/> 不合格 <input type="checkbox"/> 其它		

东莞市德弗力五金电子材料有限公司

Dongguan city DFL Electronic Technology Co.,LTD

东莞市石碣镇新风西路107号

No. 107, Xinfeng West Road, Shijie Town, Dongguan City

TEL: 0769-86016320 FAX:0769-86372427

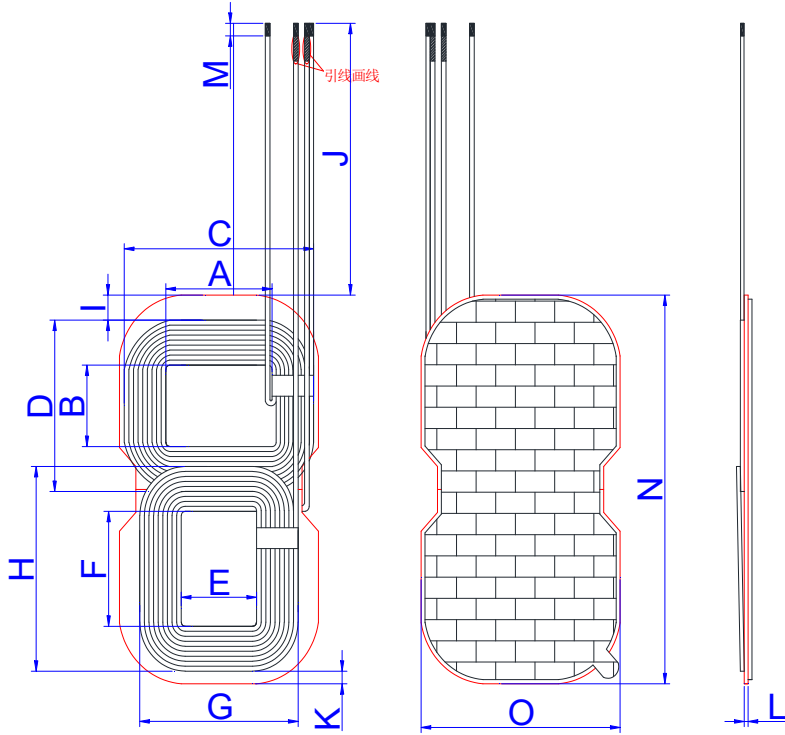
# 东莞市德弗力五金电子材料有限公司

Dongguan city DFL Electronic Technology Co.,LTD

## SPECIFICATION

产品型号: DESC	BLS0-F19.5×27.5-65-FR	版本 Rev:A	Customer:	BLS TN064
			Description:	双线圈+磁片 Double coil + magnetic disc
			Date:	20230804

### 一、尺寸DIMENSION:(mm)



A	27.5±1.0
B	19.5±1.0
C	49.0±1.5
D	41.0±1.5
E	19.5±1.0
F	27.5±1.0
G	41.0±1.5
H	48.0±1.5
I	6.0±1.0
J	65.0±5.0
K	3.0±1.0
L	1.0±0.2
M	3.0±2.0
N	93.0±1.0
O	51.5±1.0
P	

注:

- 线圈贴51.5\*93\*1.0 双拼硬磁
- 线圈出线位置缠5MM 高温胶带
- 磁片贴白色带耳朵双面胶
- 上线圈距磁片6.0MM, 下线圈距磁片3.0MM
- 下线圈引线画线
- 线圈不可松线

- The coil is attached with 51.5\*93\*1.0 double hard magnetic
- Wrap 5MM high-temperature tape around the cable outlet
- Magnetic disc with white double-sided tape with ear
- The upper coil is 6.0MM away from the magnetic disc, and the lower coil is 3.0MM away from the magnetic disc
- Draw a line on the lower coil lead
- Do not loosen the coil

### 二、原理图 (schematic diagram:)

### 三、绕线参数(Winding Specification:)

序号 NO.	端子 TERMINAL	线径 WIRE	圈数 Turns	绕线方向 Winding Direction
1		0.08×105P丝包线	9TS	上逆时针下顺时针

### 四、电气特性 ELECTRICAL CHARACTERISTICS:

温度 TEMPERATURE:25±10°C,湿度 RELATIVE HUMIDITY:65±20%

序号 NO.	项目 ITEM	端子 TERMINAL	标准 SPECIFICATION	测试条件 TEST FREQUENCY	测试仪器 TEST EQUIPMENTS
1	IND.		7.1uH±10%加磁片	100KHz/1.0V	SHDA 1062
2	IND.				
3	Q值				
4	DCR				

拟制/日期PREPARED BY/DATE	审核/日期CHECKED BY/DATE	客户/日期CUSTOMER/DATE