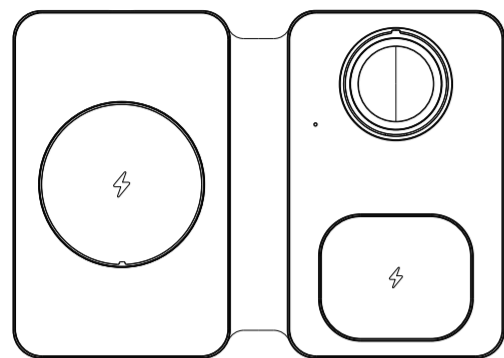


## 折叠三合一无线充 使用说明书

Model No. T5

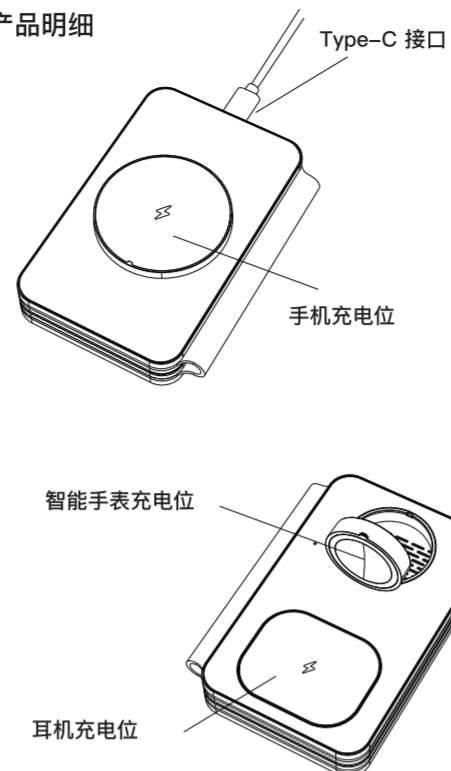


感谢选购本产品, 使用产品前请仔细阅读使用说明书

### 产品介绍

- ★手机支持单路最大 15W 输出, 支持苹果手机快充
- ★耳机支持苹果系列耳机充电
- ★手表支持苹果系列手表充电
- ★Type C接口设计, 兼容QC2.0/3.0、PD快充输入充电器
- ★过流、过温保护。
- ★带供电指示灯
- ★结构主材使用铝合金加PC, 外观简洁, 可折叠收纳成较小体积, 适应家用、办公、差旅等各种场景。
- ★产品采用磁吸升级线圈, 15颗环形大磁铁, 强稳吸力, 精准匹配苹果原机磁吸模块, 能很好的实现无线快充, 且不伤机。

### 产品明细



### 产品参数

型号: T5  
输入: 9V/12V 2A(MAX)  
输出1: Phone 15W(MAX)  
输出2: Watch 2.5W(MAX)  
输出3: Airpods 3.5W(MAX)  
产品尺寸: 125\*86\*24mm(Folded)  
材质: 铝合金+PC+ABS+硅胶  
重量: 净重约186g(不含适配器和数据线)

### 注意事项

- 请放置在儿童接触不到的地方
- 禁止私自拆卸产品
- 请避免强烈摔打, 碰撞此产品
- 非专业人员, 请勿自行打开, 维修此产品
- 特别注意本产品需要配备QC2.0/3.0,等正规过认证充电器来适配
- 手机背面不能带有指环扣, 增加手机厚度物品或金属物件, 有以上物体讲影响手机无线充的使用和充电功率
- 手机充满电后, 请勿长时间放在充电器上, 充电完成后请切断充电器电源

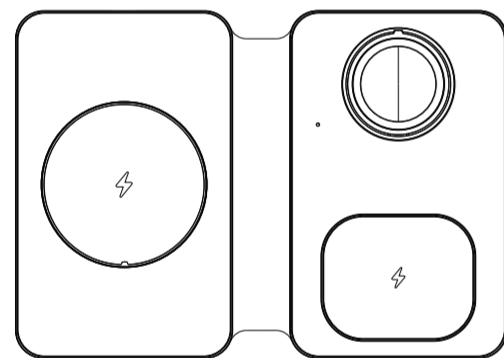


产品执行标准号:Q/AGL 003-2017

## Foldable 3 in 1 Wireless Charger

User Manual

Model No. T5

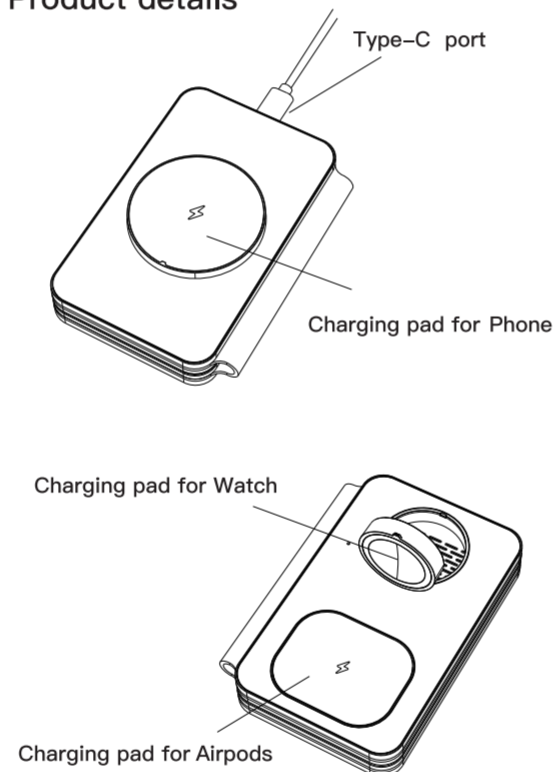


**Note:**For best performance and safety, please read this manual carefully before using the product.

### Brochure

- ★ Supports mobile phone maximum output 15W, supports Apple mobile phone fast charging
- ★ Support Apple series earphone charging.
- ★ Support Apple series watch charging.
- ★ With Type-C interface , compatible with QC2.0/3.0, PD fast charge input charger
- ★ Overcurrent and temperture protection.
- ★ Power supply indicator light.
- ★ The main material of the product using aluminum alloy+pc, the appearance is simple, and it is foldable, which is suitable for various scenarios such as household, office, and travel.
- ★ The product using magnetic with upgrade coils, 15pcs ring-shaped strong magnets, strong stability, accurately matching the magnetic module of the Apple original machine, which can achieve wireless fast charging without hurting the machine.

### Product details



### Specifications

Model: T5  
Input: 9V/12V 2A(MAX)  
Output 1: Phone 15W(MAX)  
Output 2: Watch 2.5W(MAX)  
Output 3: Airpods 3.5W(MAX)  
Dimension:125\*86\*24mm(Folded)  
Material:Aluminum Alloy+PC+ABS+Silicone  
Weight: N.W. ≈186g (without power adapter +USB Cable)

### Precautions

- Keep out of reach of children
- Please do not dismantle the product without premission
- Please avoid strong falls and collisions with this product
- Please do not repair this product if your are not a professional.
- Please use the QC2.0/3.0 adapter to charge the product.
- The back of the phone cannot be equippeed with ring holder) socket,and other items beyond the rang of the phone's wireless charging reception.Otherwise ,the charging power will be adected.
- Remove your phone/watch/airpods when it is fully charged. Please unplug the porwe adapter when your devices are fully charged



Product Standard Code:Q/AGL 003-2017

### FCC Requirement

Any changes or modifications not expressly approved by the party responsible for compliance could void the user's authority to operate the equipment. This device complies with Part 15 of the FCC Rules. Operation is subject to the following two conditions:

- (1)this device may not cause harmful interference, and
  - (2)this device must accept any interference received, including interference that may cause undesired operation.
- Note: This equipment has been tested and found to comply with the limits for a Class B digital device, pursuant to Part 15 of the FCC Rules. These limits are designed to provide reasonable protection against harmful interference in a residential installation. This equipment generates, uses, and can radiate radio frequency energy, and if not installed and used in accordance with the instructions, may cause harmful interference to radio communications. However, there is no guarantee that interference will not occur in a particular installation. If this equipment does cause harmful interference to radio or television reception, which can be determined by turning the equipment off and on, the user is encouraged to try to correct the interference by one or more of the following measures:
- Reorient or relocate the receiving antenna.
  - Increase the separation between the equipment and receiver.
  - Connect the equipment into an outlet on a circuit different from that to which the receiver is connected.
  - Consult the dealer or an experienced radio/TV technician for help.

This equipment complies with FCC radiation exposure limits set forth for an uncontrolled environment. This equipment should be installed and operated with a minimum distance of 20cmbetween the radiator & your body. This transmitter must not be co-located or operating in conjunction with any other antenna or transmitter.