

Dongguan Pan Asia electronics Co., LTD

SPECIFICATION FOR APPROVAL

客 戶:
CUSTOMER: _____

客 戶 料 号:
CUST P/N: _____

产 品 料 号: 0.08*48P
FINE P/N: _____

产 品 型 号:
DESC: 6.3UH10%\43.5*.20.5*0.6 Slotted back glue Outlet length30mm(±2mm)

日 期:
DATE: **2023/07/26**

版 本:
Version: _____

制作 PREPARED BY	审核 CHECKED BY	批准 APPROVED BY	客户承认 CUSTOMER APPROVE

Address: Building 6, Zhongtang Tian'an Digital City,
No. 88, Jinyuan Road, Zhongtang, Dongguan,
Guangdong, China

SPECIFICATION



產品型號:
DESC

Φ 43.5x20.5-10Ts-0.08x48P-30mm

版本

Rev: A.0

客戶 CUST:

331

料号 Fine P/N:

FYD331003

客户料号 CUST P/N:

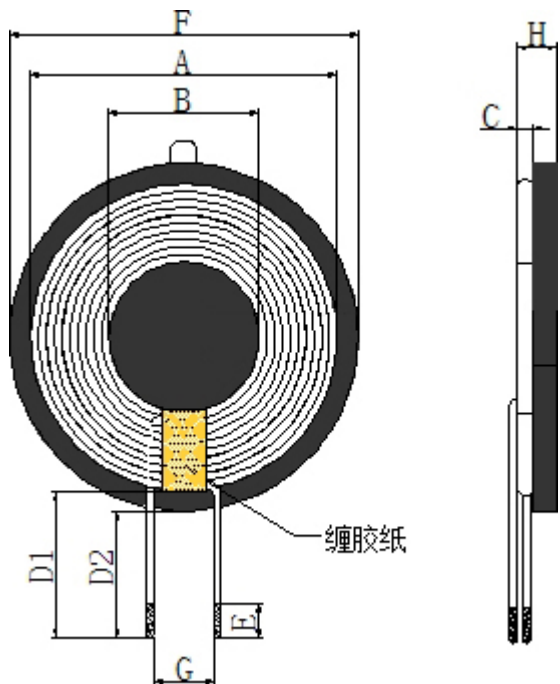
A11

一、尺寸 DIMENSION:(mm)

二、原理图 SCHEMATIC DIAGRAM:



三、绕线参数 Winding Specification:



- A 40±0.5
- B 20±0.5
- C 0.6厚
- D1 40mm±2
- D2 38mm±2
- F 43.6±0.2
- G 8.0 ref
- H 2.5±1
- I 5.3 ref
- E 3±0.2

We statement that All measurements were performed radiated and therefore additional antenna gain documentation is not required.

序号 NO.	端子 TERMINAL		线径 WIRE	圈数 Turns	绕线方向 Winding Direction
1	S	F	0.08*48P	10Ts	CCW

四、电气特性 ELECTRICAL CHARACTERISTICS:

温度 TEMPERATURE:25±10℃, 湿度 RELATIVE HUMIDITY:75±20%

序号 NO.	项目 ITEM	端子 TERMINAL	标准 SPECIFICATION	测试条件 TEST FREQUENCY	测试仪器 TEST EQUIPMENTS
1	IND.	S-F	5.4uH ±15%	100KHz/1.0V	LCZ METER 1062B
2	IND.	S-F	6.5uH ±15%	100KHz/1.0V	LCZ METER 1062B
3	DCR	S-F	≤50mΩ		LCZ METER 502B

擬制/日期 PREPARED BY/DATE

2023/7/26

審核/日期 CHECKED BY/DATE

2023/7/26