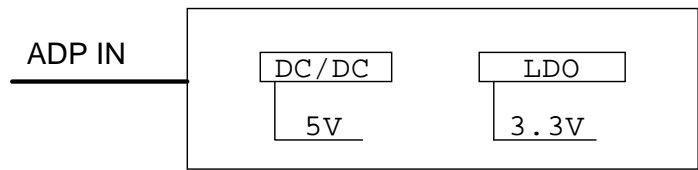


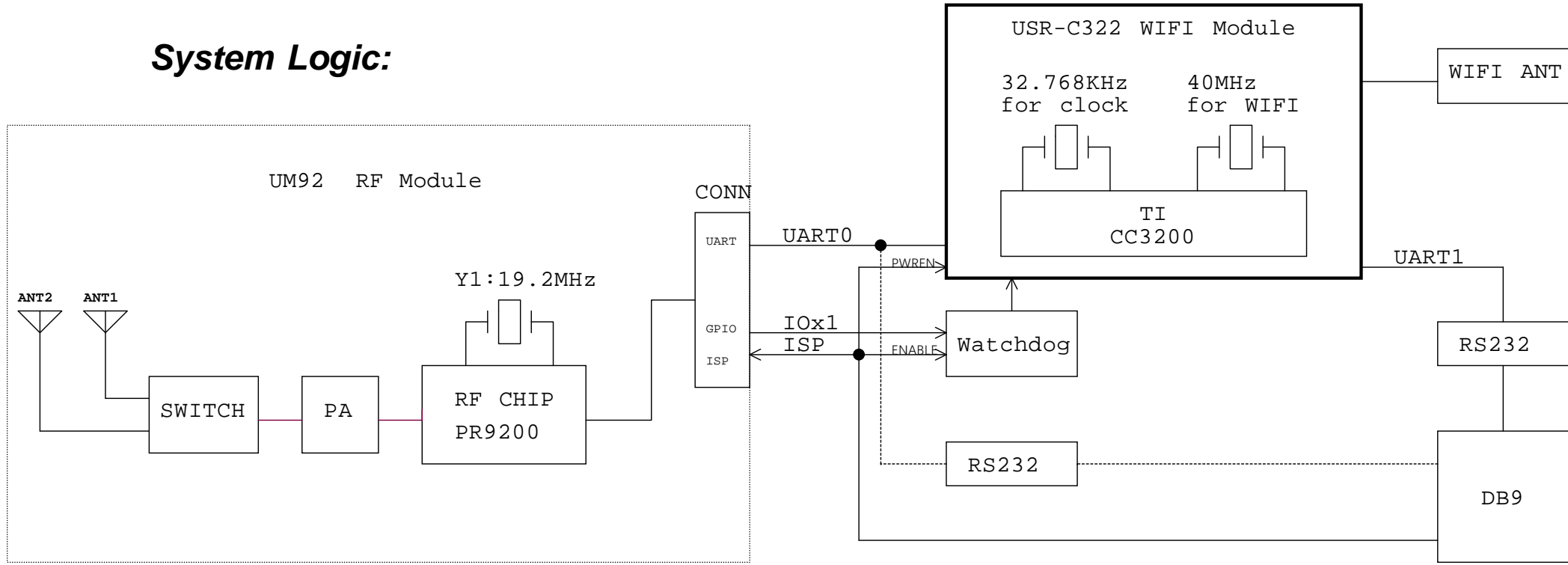
# SW-0102 Block Diagram

Brand	EGLTEC
Product Name	EGLTEC 2-Port UHF RFID Reader - Wireless
Frequency Range	922 - 928 MHz

## Power Supply:



## System Logic:



Title		
SW-0102 Block Diagram		
Size	Document Number	Rev
B	<Doc>	2.0
Date:	Tuesday, May 03, 2022	Sheet 1 of 1