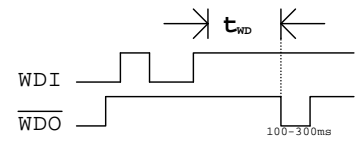
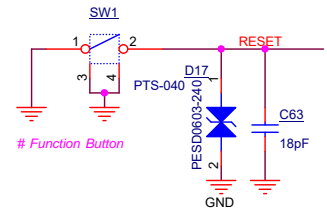
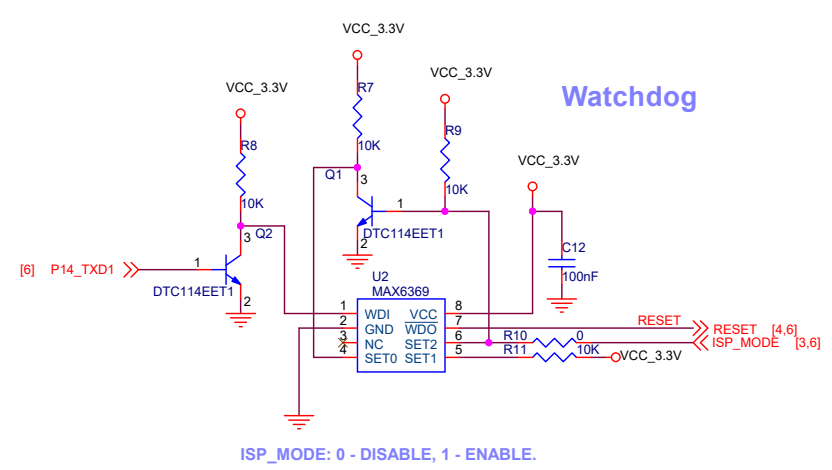
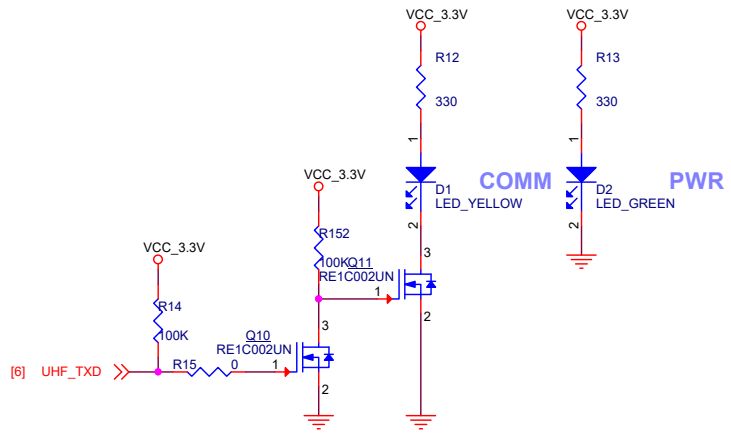


Table of Content

<i>Page 1</i>	<i>Content</i>
<i>Page 2</i>	<i>WATCHDOG</i>
<i>Page 3</i>	<i>LDO</i>
<i>Page 4</i>	<i>ETHERNET</i>
<i>Page 5</i>	<i>POE</i>
<i>Page 6</i>	<i>RS232/UHF</i>
<i>Page 7</i>	<i>Change List</i>

Title		
SF-0102 Content		
Size	Document Number	Rev
A	<Doc>	2.0
Date:	Tuesday, November 30, 2021	Sheet 1 of 7



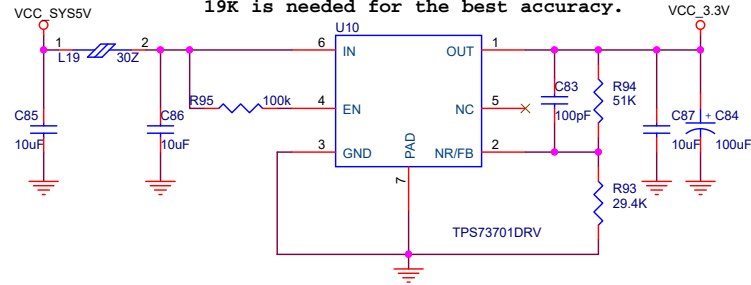
Minimum Timeout Settings

SET2	SET1	SET0	t_{WD}
0	1	1	Disabled
1	0	1	1s
1	1	0	10s
1	1	1	60s

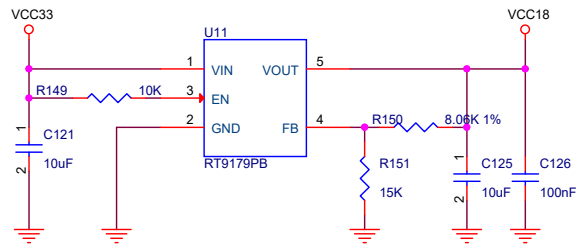
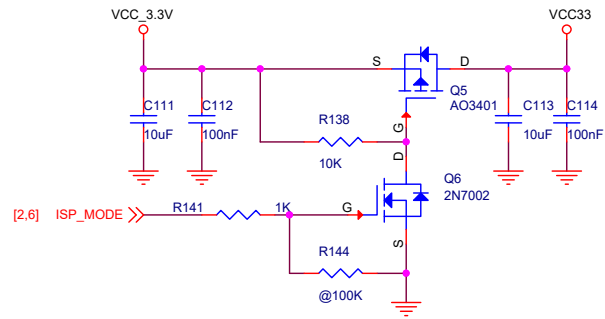
Title		
Watchdog		
Size	Document Number	Rev
B	<Doc>	2.0
Date:	Monday, January 04, 2021	Sheet 2 of 7

$$VCC_3.3V = 1.204 * (1 + 51K/29.4K) = 3.293V$$

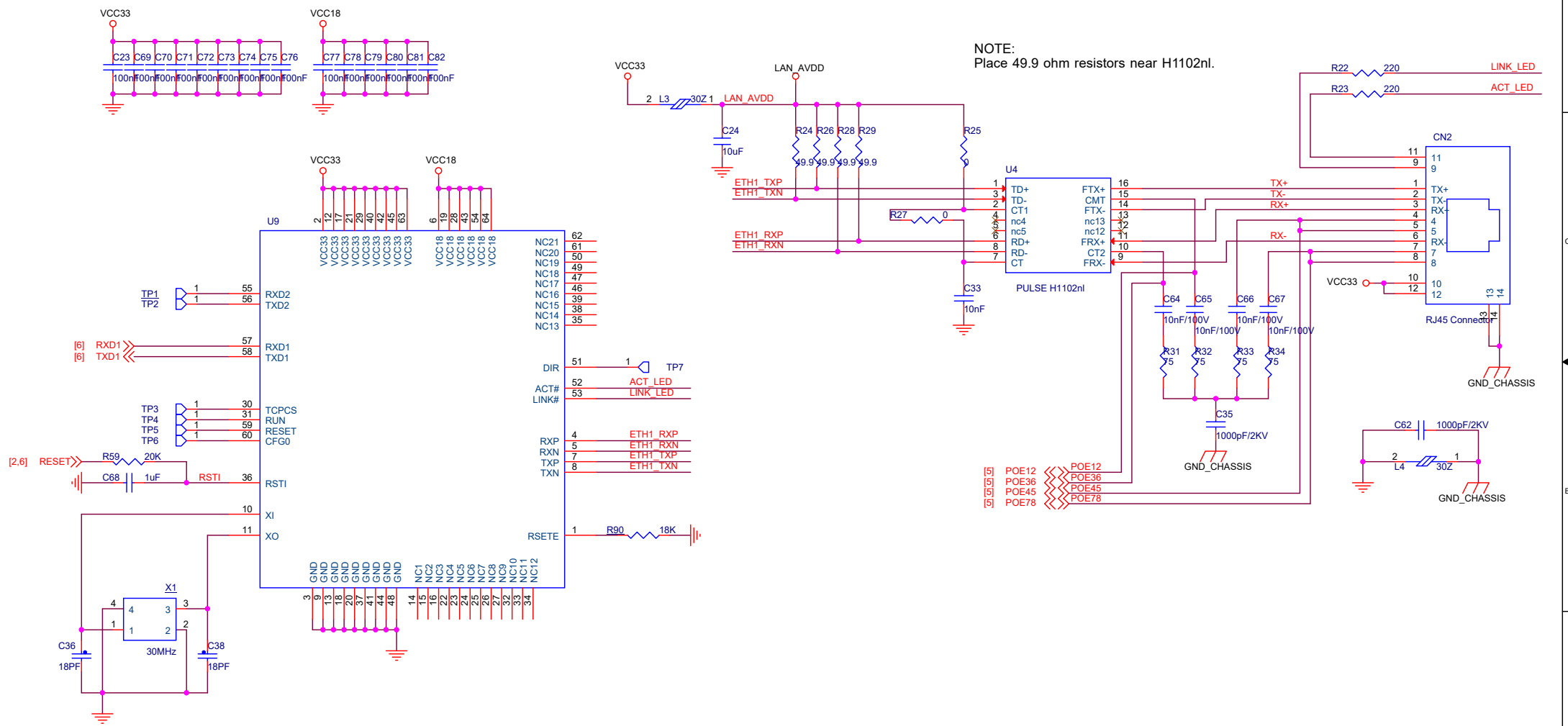
51K/29.4K = 51 * 29.4 / (51 + 29.4)K = 18.65K,
19K is needed for the best accuracy.



$$VCC18 = 1.175 * (1 + 8.06K/15K) = 1.8064V$$

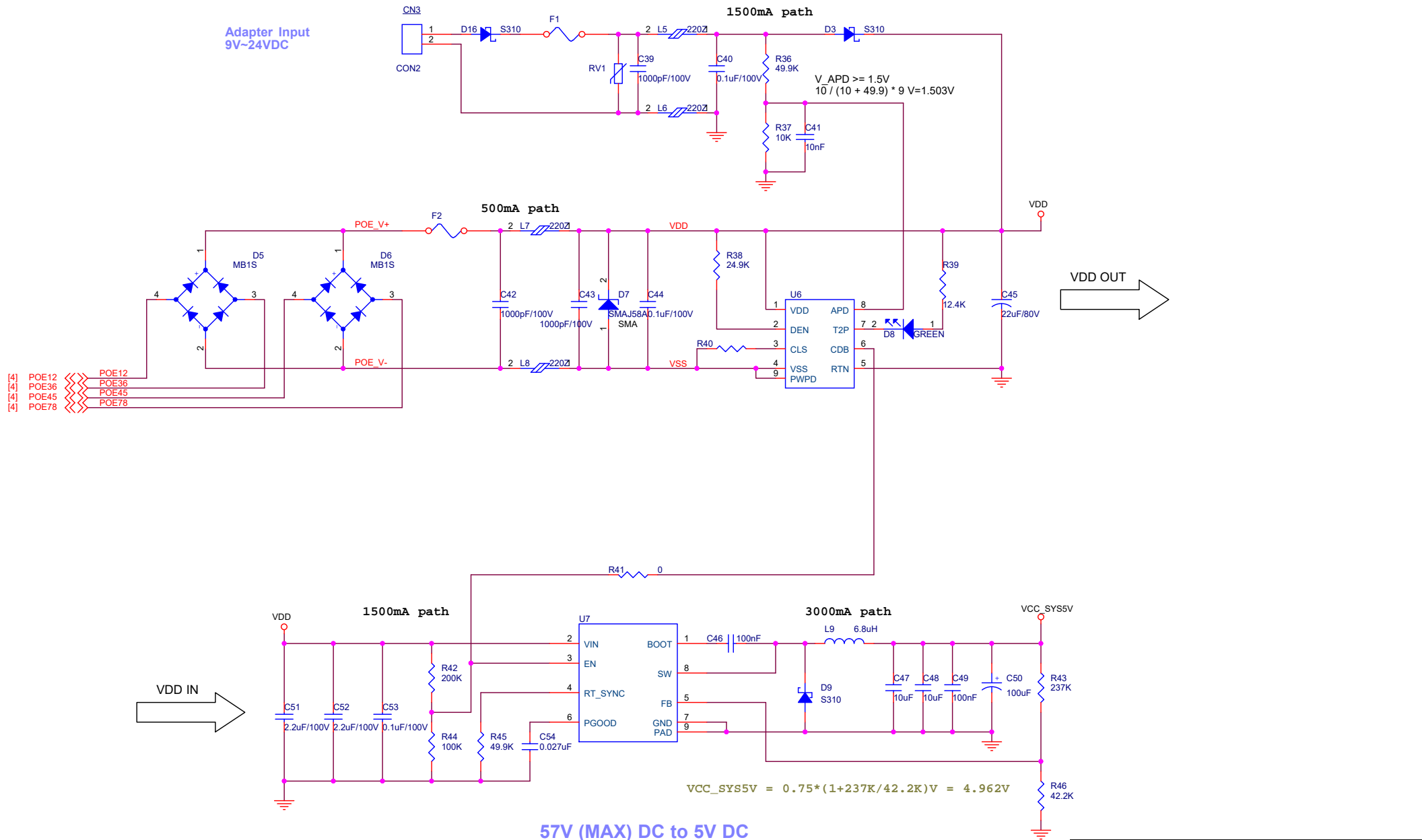


Title		
LDO		
Size	Document Number	Rev
B	<Doc>	2.0
Date:	Monday, January 04, 2021	Sheet 3 of 7



NOTE:
Place 49.9 ohm resistors near H1102nl.

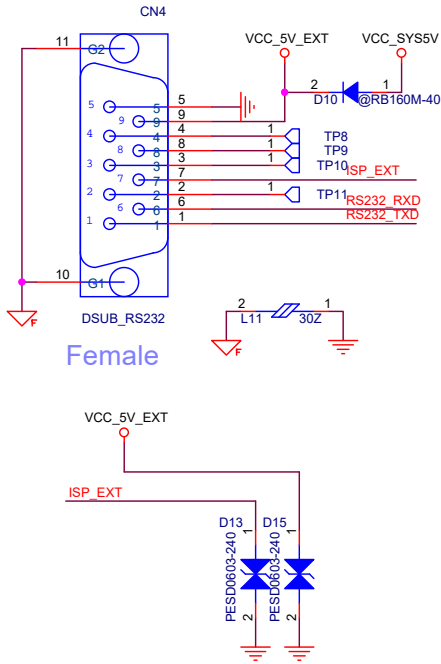
Title		
Ethernet		
Size	Document Number	Rev
B	<Doc>	2.0
Date:	Monday, January 18, 2021	Sheet 4 of 7



- [4] POE12
- [4] POE36
- [4] POE45
- [4] POE78

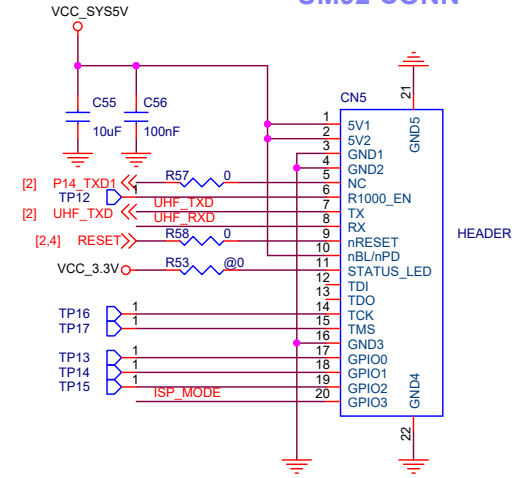
Title		
POE		
Size	Document Number	Rev
B	<Doc>	2.0
Date:	Monday, January 18, 2021	Sheet 5 of 7

Customized DB9

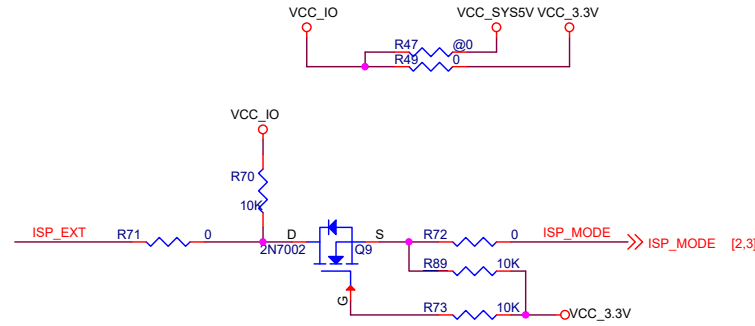


Female

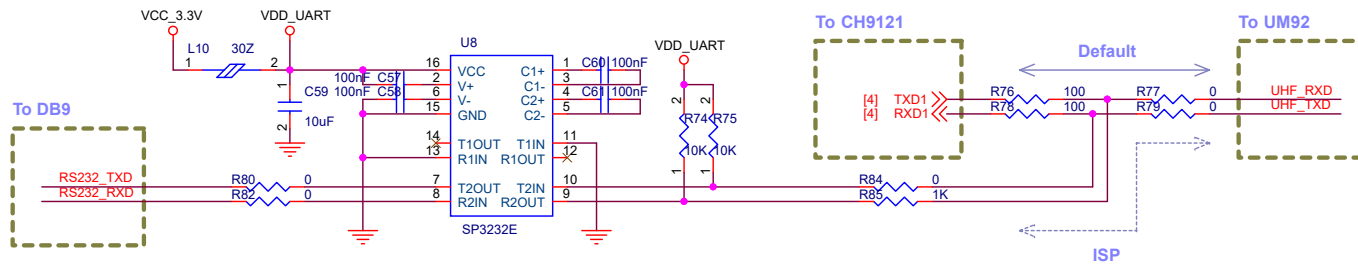
UM92 CONN



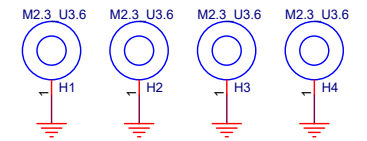
HEADER



RS232



Hole



Title		
RS232/UHF		
Size	Document Number	Rev
B	<Doc>	2.0
Date:	Monday, January 04, 2021	Sheet 6 of 7

Reserved for Future Use

Title			
Change List			
Size	Document Number	Rev	
B	<Doc>	2.0	
Date:	Monday, January 04, 2021	Sheet	7 of 7