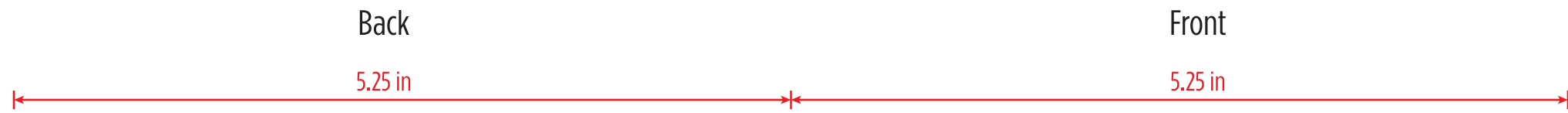


# 3 in 1 Wireless Charging Frame

## User Manual - Black and White Printing



### SPECIFICATIONS

Input : 5V/2A 9V/2A Output : 5V/1A 9V/1.1A 9V/1.67A  
 Wireless Charger Output : 15W/10W/7.5W/5W  
 Working Distance : ≤6MM  
 USB-C Charging Cable : 3.28FT

### WARNING

This device is not a toy and should be kept away from children. The product must not be dropped or subjected to impact. Do not use the device in humid environments or in extremely hot / cold temperatures. Do not use chemicals or abrasive detergents to clean the product. Please return for repairs if the product is defective. The warranty is invalid if the product has metal rust, water damage, or other natural oxidation.

### WARRANTY

This product has a 1 year warranty against defects in manufacturing under regular consumer use. For instructions about how to obtain warranty service for your product, please contact Customer Service: info@primebrandsgroup.com.

This device complies with part 15 of the FCC Rules. Operation is subject to the following two conditions: (1) This device may not cause harmful interference, and (2) this device must accept any interference received, including interference that may cause undesired operation.

**PRIME BRANDS GROUP** ©2023 Prime Brands Group. All rights reserved. All trade names are registered trademarks of the respective manufactures listed.  
 Made in China.

Prime Brands Group • Brooklyn, NY 11232 • [SHOPSOAR.COM](http://SHOPSOAR.COM)



3 in 1 Wireless Charging Frame

USER MANUAL

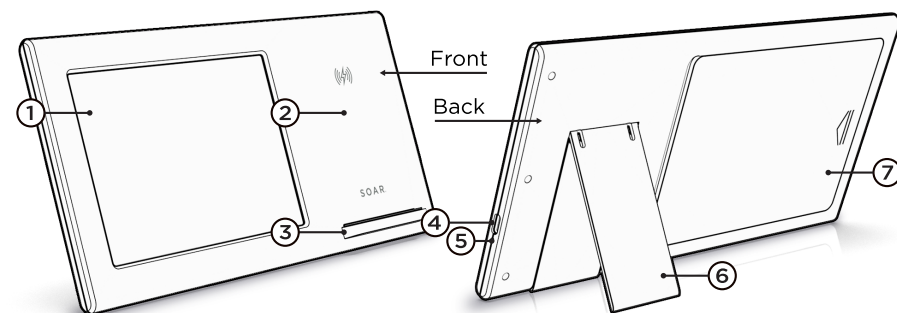
### Inside

Thank you for choosing the SOAR Wireless Charging Frame. High speed charging personalized for your home or office. Please familiarize yourself with the wireless charging functionality of your smartphone or device before use.

Contents : Wireless Charging Frame, USB-C Charging Cable, User Manual  
 Product Variates Can Include : Magnet Dry Erase Insert, Cork Board Insert, Dry Erase Cap Markers, Powerful Magnets, Push Pins

### PRODUCT KEY

- |                               |                                |
|-------------------------------|--------------------------------|
| 1. Frame Display Area         | 5. LED Indicator Light         |
| 2. Wireless Charging Area     | 6. Collapsible Kick Stand      |
| 3. Smart Phone Charging Ledge | 7. Frame / Insert Access Latch |
| 4. USB-C Power Port           |                                |



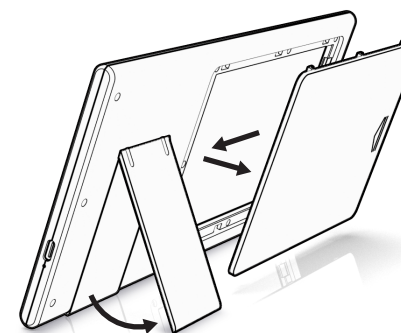
### Inside

### CHARGING

Use the provided USB-C charging cable or an equivalent USB-C cable. Plug the USB-C end into the USB-C port (4) on the side of your charging frame. Plug the USB end into a suitable 5V port on your computer, wall charger, or power strip. The LED indicator light (5) will be red to signify standby mode, ready for charging.

To charge simply place your wireless charging compatible smart phone or device on the charging shelf (3) on the front of your frame. The device will automatically start charging and the LED indicator light (5) will change to blue. When fully charged, it will maintain a full charge in your device and return to standby preventing overcharge. Preserving your products battery life.

### FUNCTION



To stand your frame pull the kick stand (6) on the back out word. Push the kick stand (6) back in to flatten the product for travel.

To change the photo or insert board slide the access latch (7) on the back left and pull out word. This provides access to the photos or board inside. To replace, place it back in the slot and slide right until it clicks into place.

The wireless charging frame fits standard photographs that are 3.5 in x 5 in. Stack your favorites inside and change them up.

Any Changes or modifications not expressly approved by the party responsible for compliance could void the user's authority to operate the equipment.

This equipment has been tested and found to comply with the limits for a Class B digital device, pursuant to part 15 of the FCC Rules. These limits are designed to provide reasonable protection against harmful interference in a residential installation. This equipment generates uses and can radiate radio frequency energy and, if not installed and used in accordance with the instructions, may cause harmful interference to radio communications. However, there is no guarantee that interference will not occur in a particular installation. If this equipment does cause harmful interference to radio or television reception, which can be determined by turning the equipment off and on, the user is encouraged to try to correct the interference by one or more of the following measures:

- Reorient or relocate the receiving antenna.
- Increase the separation between the equipment and receiver.
- Connect the equipment into an outlet on a circuit different from that to which the receiver is connected.
- Consult the dealer or an experienced radio/TV technician for help.

FCC RF exposure statement:

The equipment complies with FCC radiation exposure limits set forth for an uncontrolled environment. This equipment should be installed and operated with minimum distance between 20cm the radiator your body.