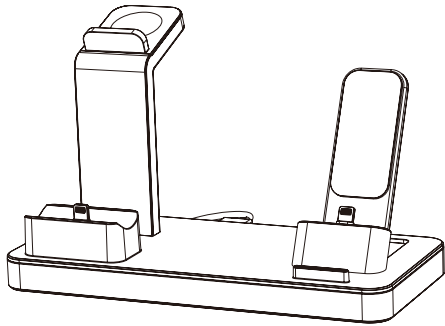
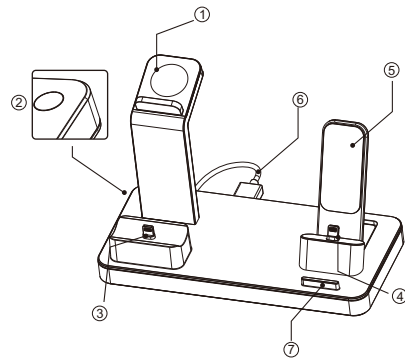


Instruction Manual



Please read the instructions carefully first, in order to install the product correctly for quick use.



Product Introduction

- ① : Apple Watch Charging stand
- ② : Anti-slip Mat
- ③ : AirPods Charger
- ④ : Mobile phone Charger
- ⑤ : Mobile phone backrest
- ⑥ : Apple Watch Charger
- ⑦ : Mobile phone baffle

Specifications

Product Name: 3 in 1 Charging Stand

Product Material: Plastic, PCB, Rubber, Iron block

Input: 9V \approx 2A / 9V \approx 3A (Max)

Output: 5V \approx 2A for iPhone / 5V \approx 1A for iWatch / 5V \approx 1A for AirPods

Frequency: 329.8Khz

Power Interface: Type-C

Product Dimension: 180.9*100*113mm

Charging Cable: 1m USB Type-C cable

NOTE:

Do not use Apple's 5v/1A stock charger or a computer's usb port to power your charger. quick charge 3.0 wall adapter required for fast charge mode

FCC ID: 2AY3K-YFWC003

FCC Warning statement:

This device complies with part 15 of the FCC Rules. Operation is subject to the following two conditions: (1) This device may not cause harmful interference, and (2) this device must accept any interference received, including interference that may cause undesired operation. Changes or modifications not expressly approved by the party responsible for compliance could void the user's authority to operate the equipment.

Note:

This equipment has been tested and found to comply with the limits for a Class B digital device, pursuant to part 15 of the FCC Rules. These limits are designed to provide reasonable protection against harmful interference in a residential installation. This equipment generates, uses and can radiate radio frequency energy and, if not installed and used in accordance with the instructions, may cause harmful interference to radio communications. However, there is no guarantee that interference will not occur in a particular installation. If this equipment does cause harmful interference to radio or television reception, which can be determined by turning the equipment off and on, the user is encouraged to try to correct the interference by one or more of the following measures:

- Reorient or relocate the receiving antenna.
- Increase the separation between the equipment and receiver.
- Connect the equipment into an outlet on a circuit different from that to which the receiver is connected.
- Consult the dealer or an experienced radio/TV technician for help.

FCC RF exposure statement:

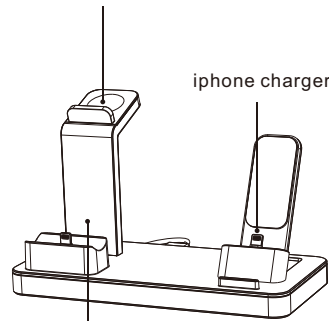
This equipment complies with FCC Radiation exposure limits set forth for an uncontrolled environment. This equipment should be installed and operated with a minimum distance of 20cm between the product and your body.

正面

All parts charging mode

Apple Watch magnetic charger dock

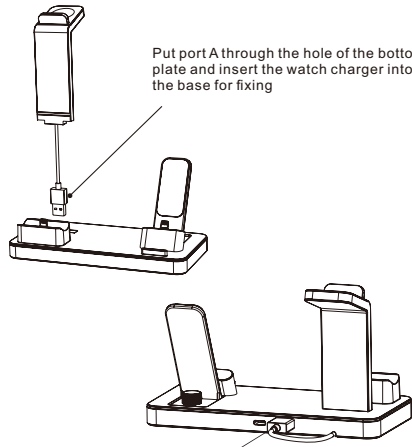
iphone charger



Airpods charger

iWatch charger assemble

Put port A through the hole of the bottom plate and insert the watch charger into the base for fixing



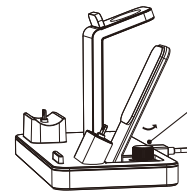
Insert port A into the charging port

Mobile phone backrest adjustment

Adjust the back of the mobile phone to a proper position and put it into the card slot



Tighten the adjusting nut to complete the assembly



Declaration of Conformity

Hereby, Shenzhen Yongfengwang Technology Co., Ltd. declares that the product type 3 in 1 Wireless Charger is in compliance with following Directives: Radio Equipment Regulations 2017, Electrical Equipment (Safety) Regulations 2016 and The Restriction of the Use of Certain Hazardous Substances in Electrical and Electronic Equipment Regulations 2012. The full text of the UK declaration of conformity is available at the following internet address: <https://www.hkkk.cn/>

RF exposure statement:

This device was tested for uncontrolled environment operations. To comply with RF exposure requirements, a minimum separation distance of 20cm must be maintained between the user's body and the product.

Radiated H-Field: -23.59dB μ A/m@10m

反面