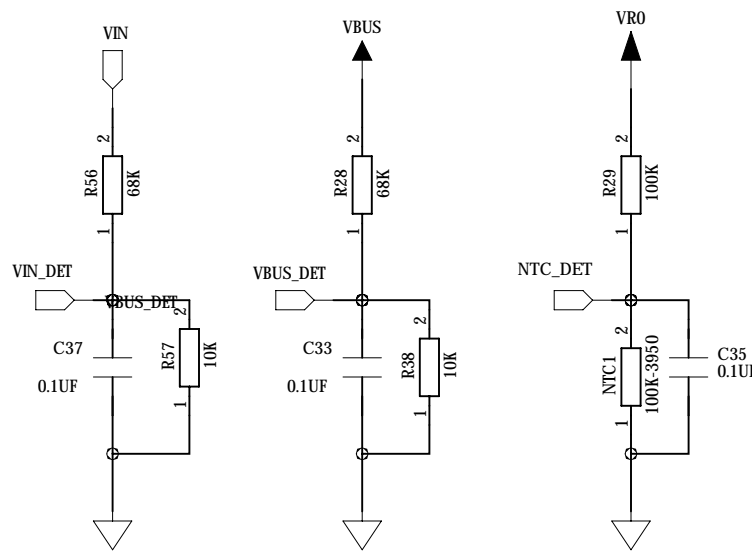
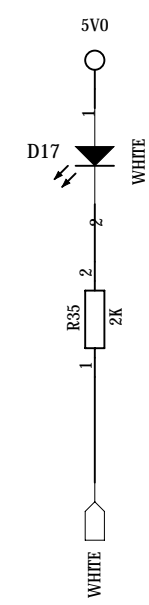


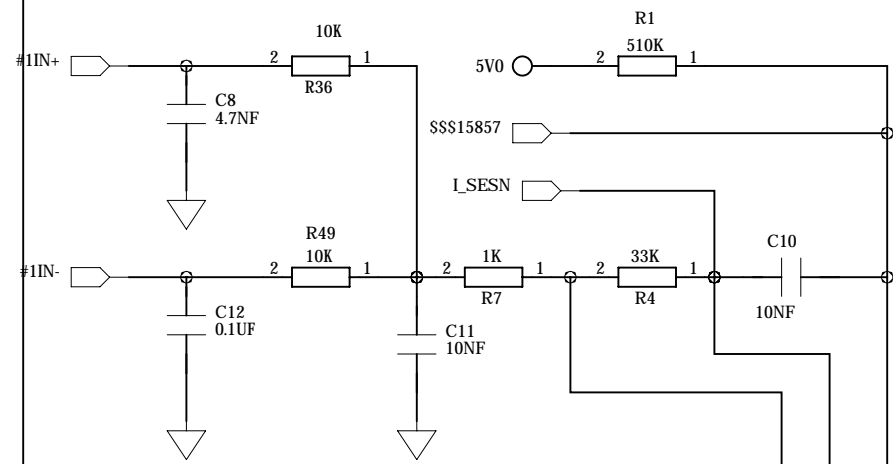
Protection



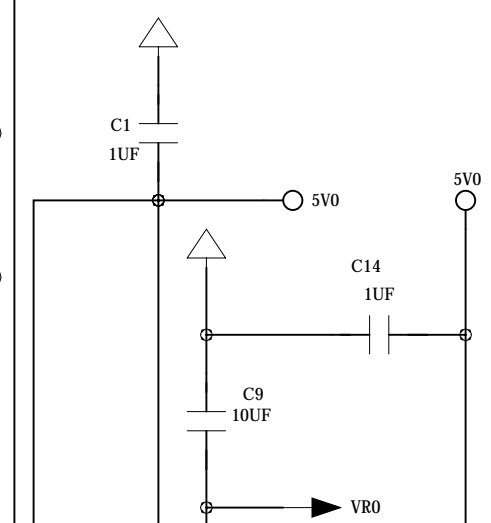
LED display



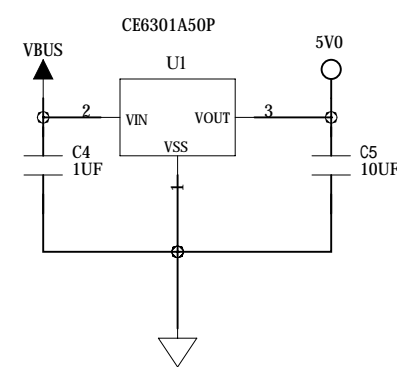
IMOD



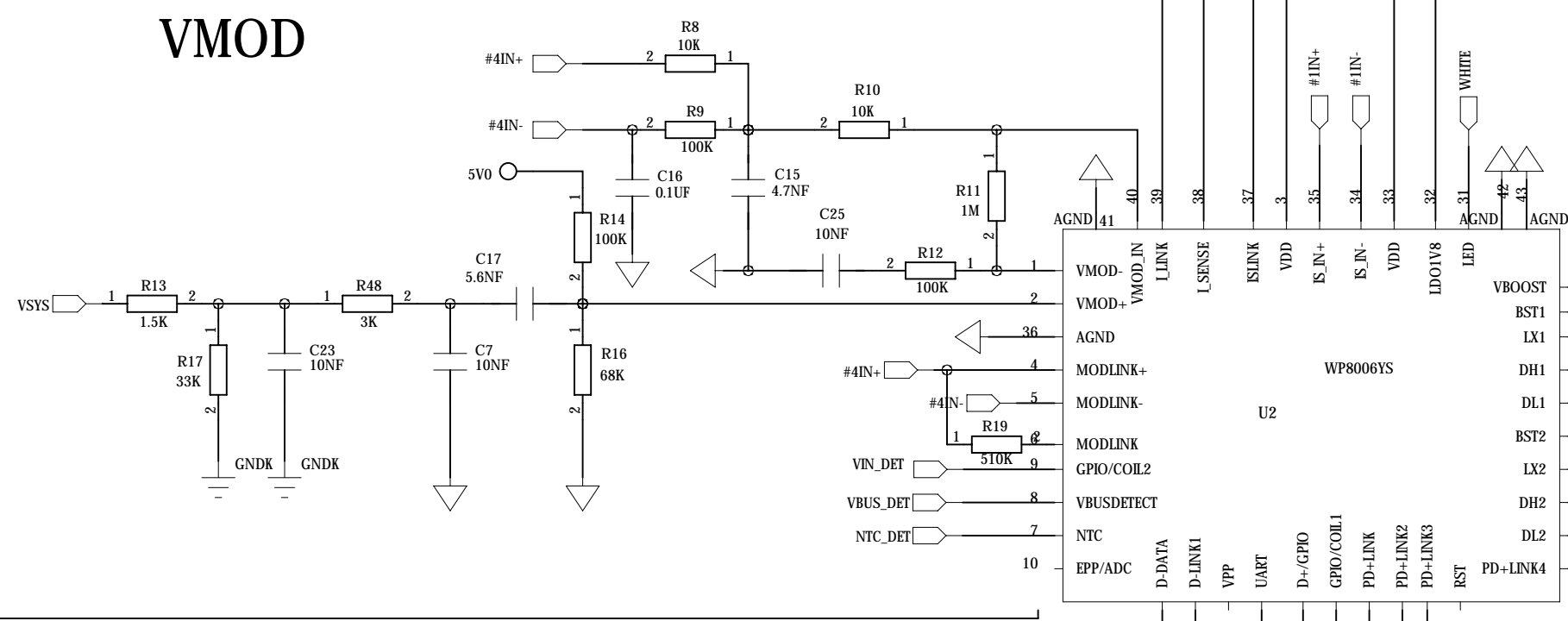
Power



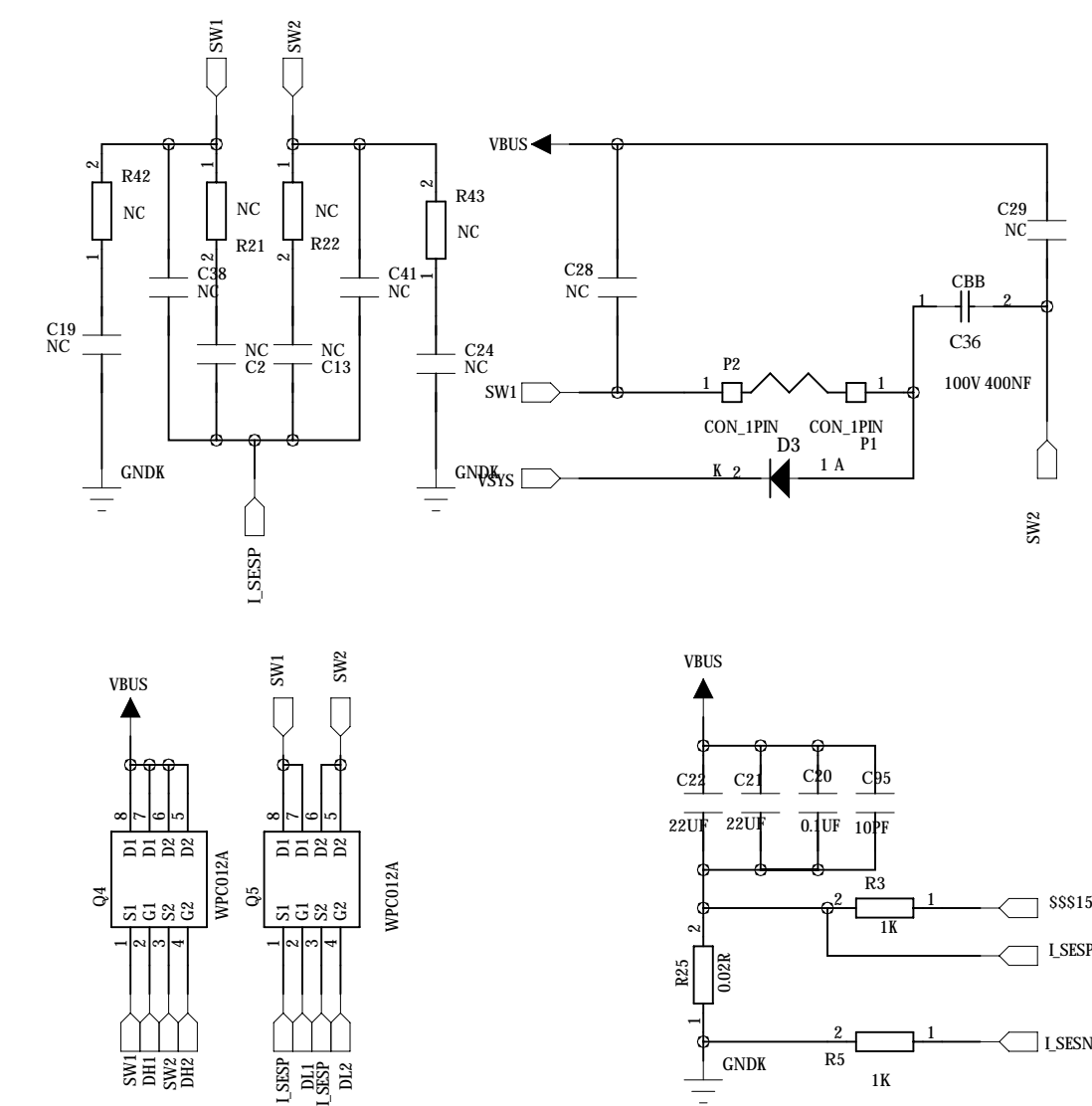
LDO



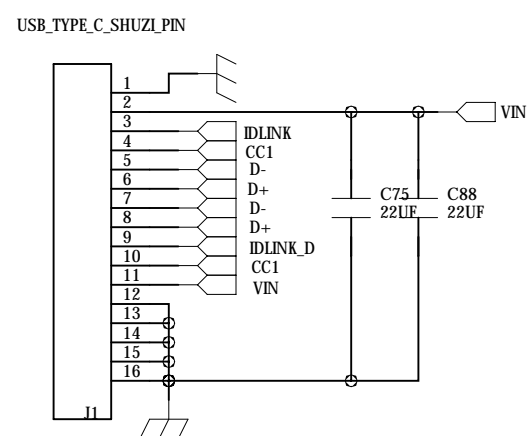
VMOD



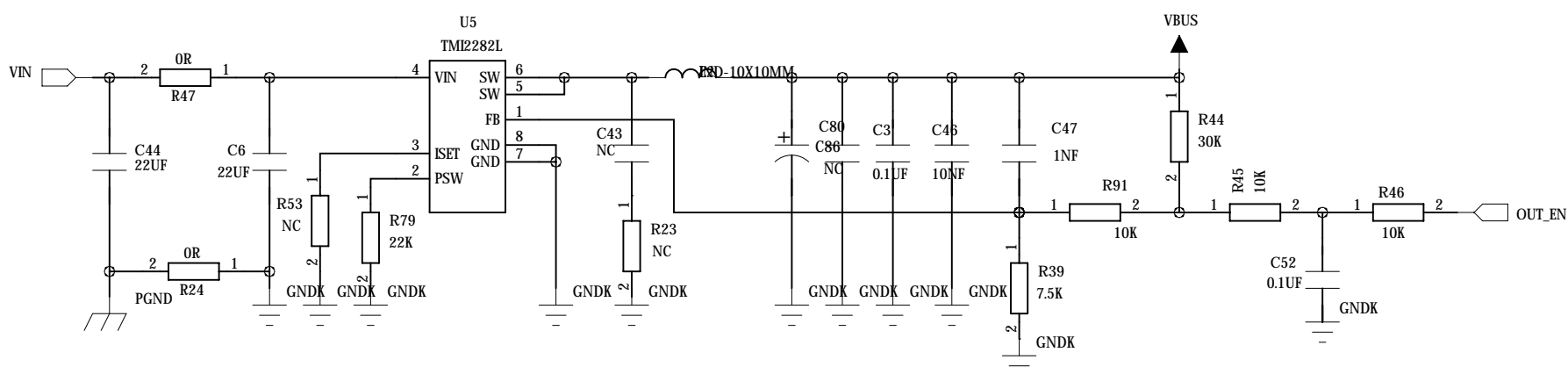
Inverter



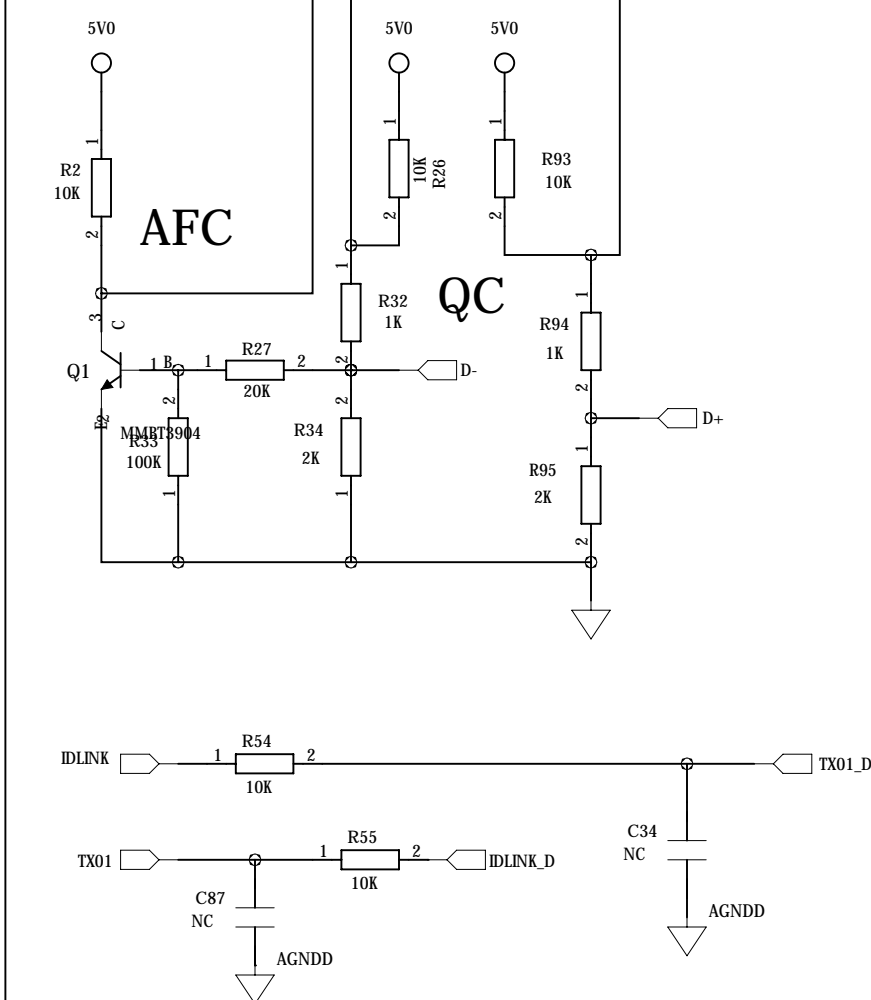
TYPE-C



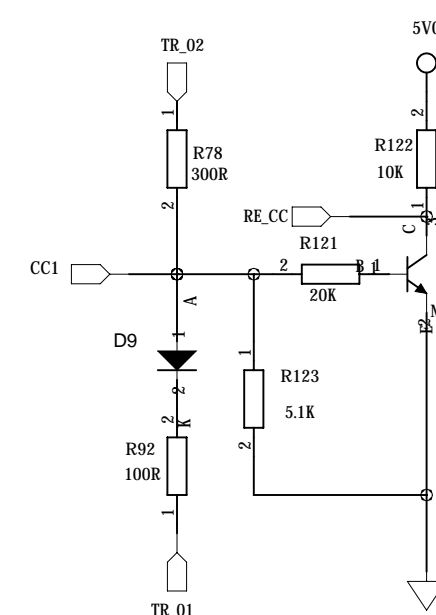
DC-DC



D+&D-



PD



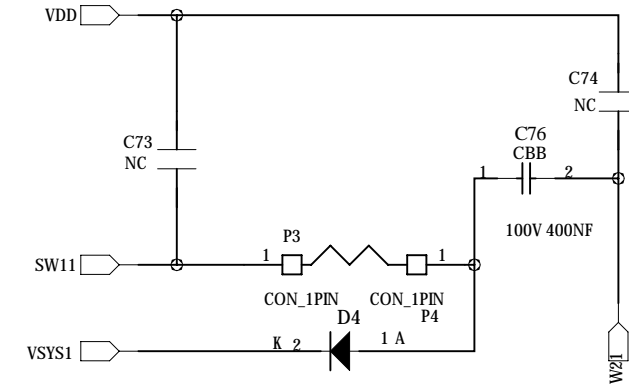
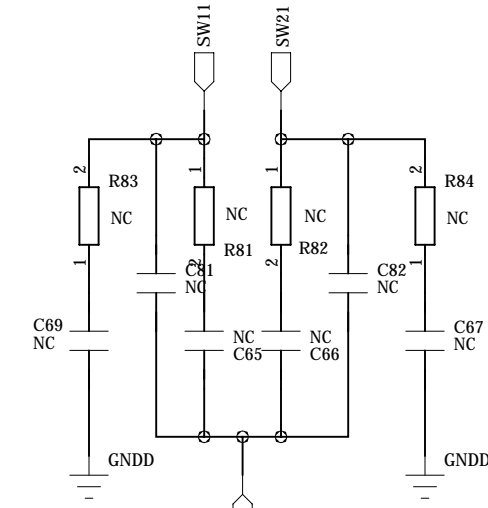
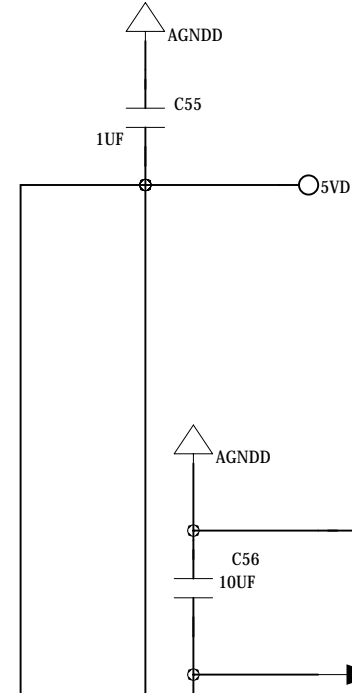
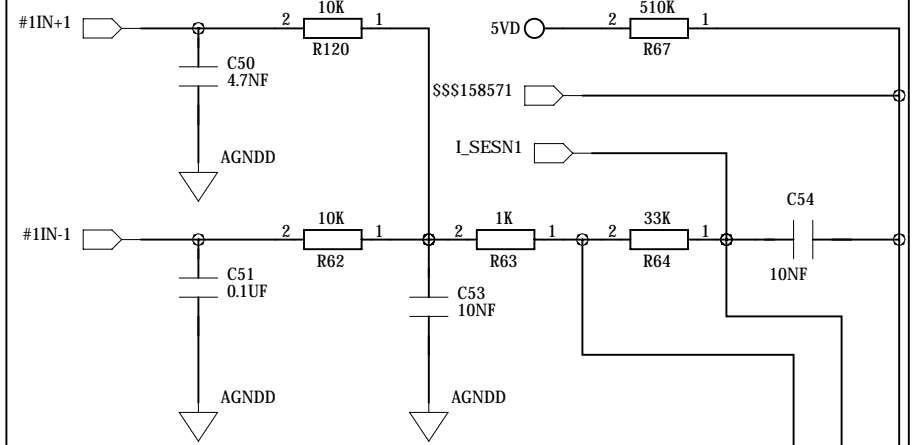
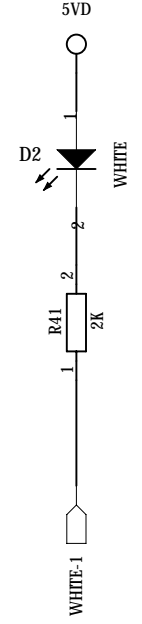
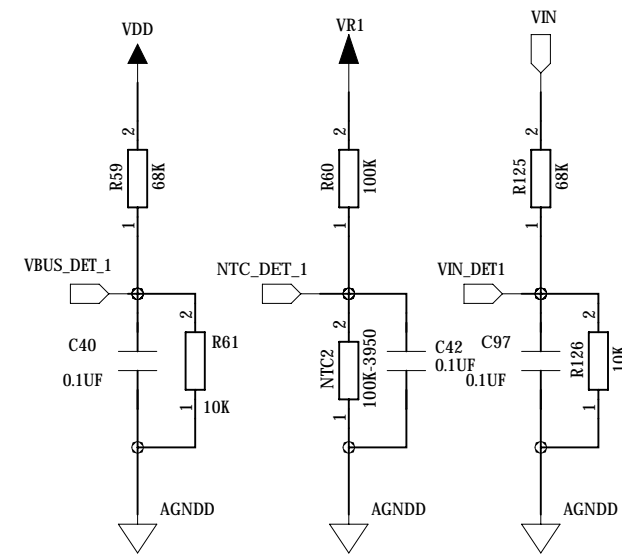
Protection

LED display

IMOD

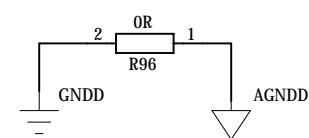
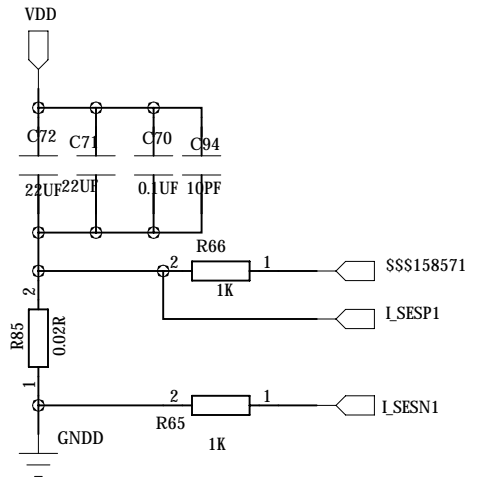
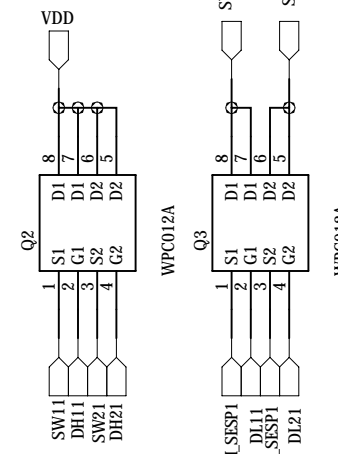
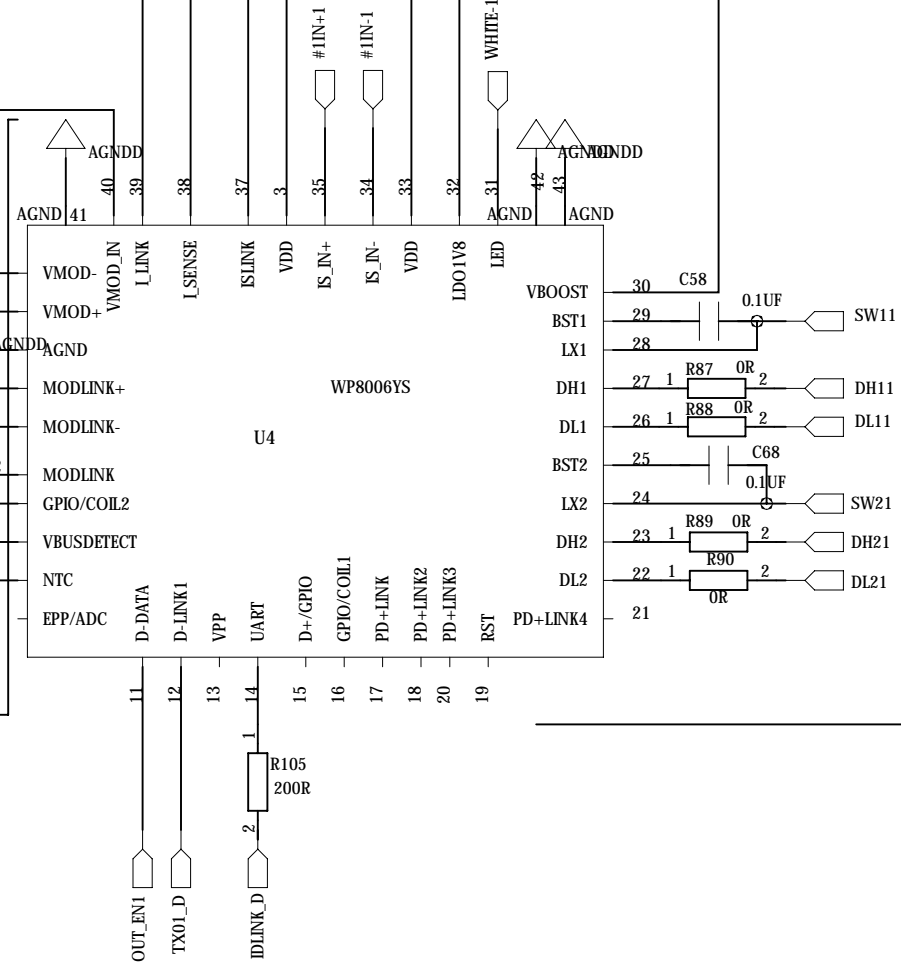
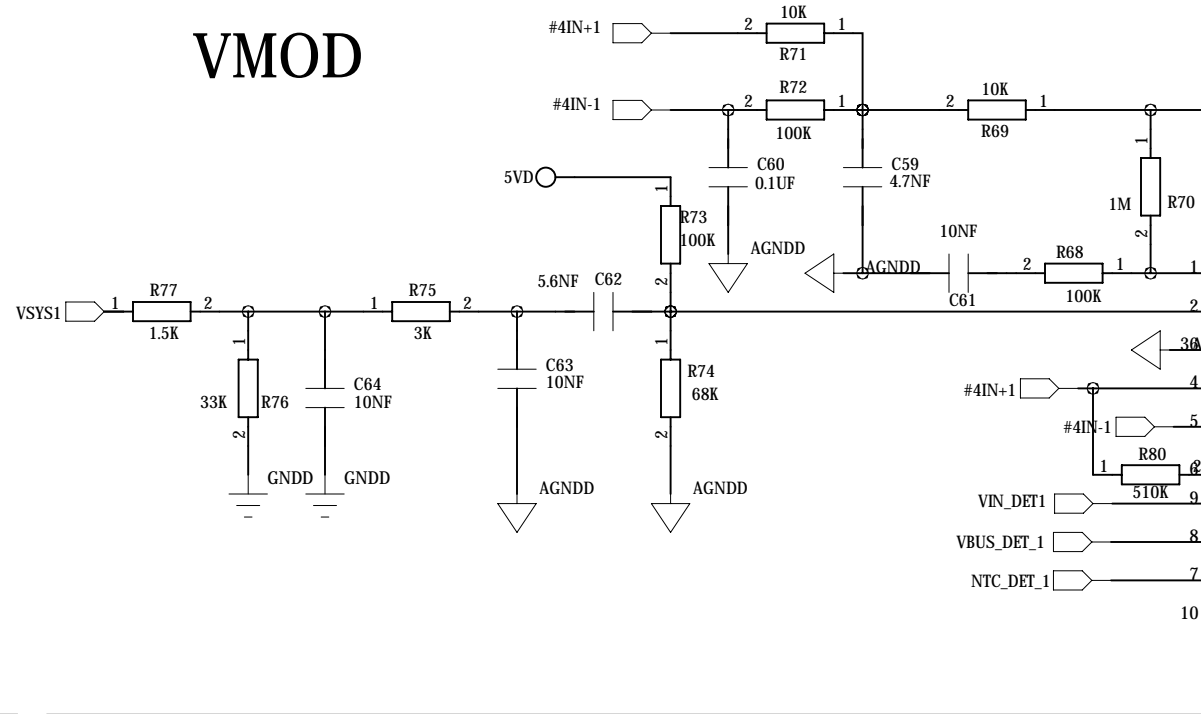
Power

Inverter



LDO

VMOD



DC-DC

