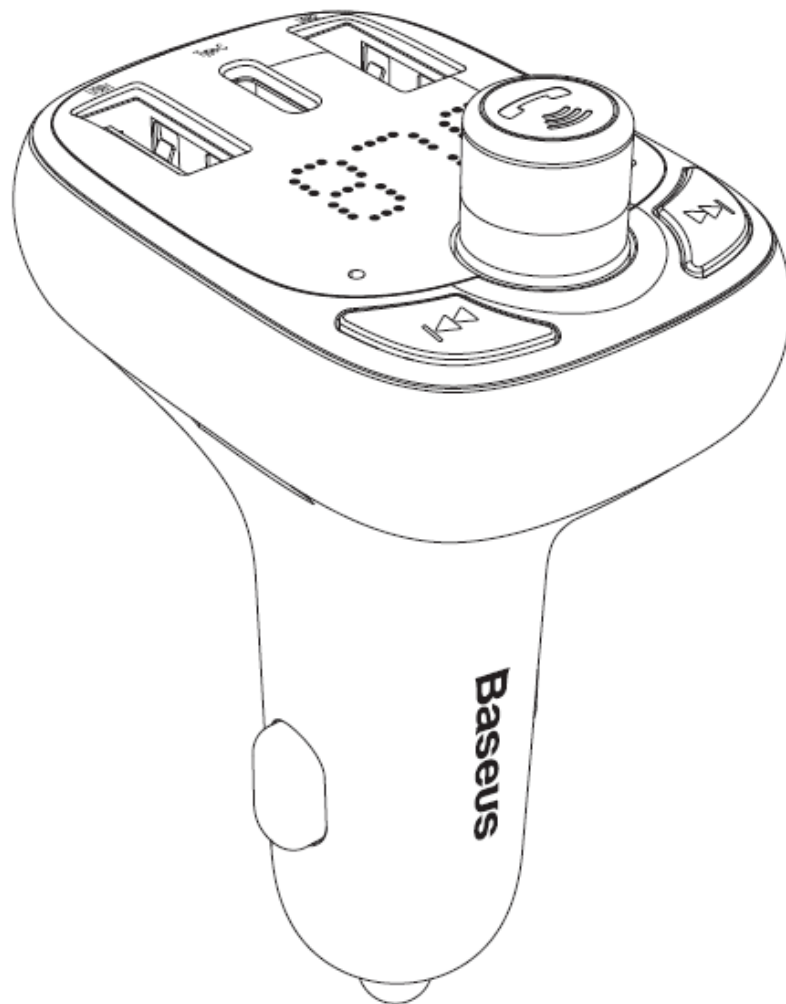


Baseus



**Baseus T typed Bluetooth MP3 charger with
car holder (PPS Quick Charger) user manual**

Before you use this product, Please read this manual carefully and save it.

Product features

This product is a multifunctional car Bluetooth MP3 player, which is featured with Bluetooth 2.4G Bluetooth transmission and FM transmission technology. After it is connected with mobile phone via Bluetooth, the mobile phone music can be transmitted to the car radio for playing and hands-free answering. It supports protocols such as PD3.0, PPS, QC3.0, Huawei SCP, FCP and so on to charge mobile phones. The quick charge circuit is designed with protection measures such as overcurrent, overvoltage, and short circuit, etc. Bluetooth can be used to connect two mobile phones at the same time, and calls can be answered by one-touch handsfree, rejected and redialed. It supports music playback from flash disk and TF card. In addition, the battery voltage testing controls whether the battery voltage of the car is within the normal range in real time, thus avoiding the trouble of car start-up failure due to abnormal voltage. Simple and fashionable appearance can better show the product design grade. With the simple operation and practical function, it is a necessary product for the majority of drivers.

Product parameters

Product name: T typed Bluetooth MP3 charger with car holder (PPS Quick Charger)

Product model: S-13

Input voltage: DC 12/24V

Output voltage/current:

USB1 output: 5V/3A, 9V/3A, 12V/2.4A

Type-C output: 5V/3A, 9V/3A, 12V/2.4A

USB2 output: 5V /1.5A

Total output power: 36W (MAX)

Transmitting frequency : 87.5-108.0MHz

FM transmission distance: < 5m

Bluetooth version: Bluetooth 5.0

Bluetooth distance: ≤ 10m

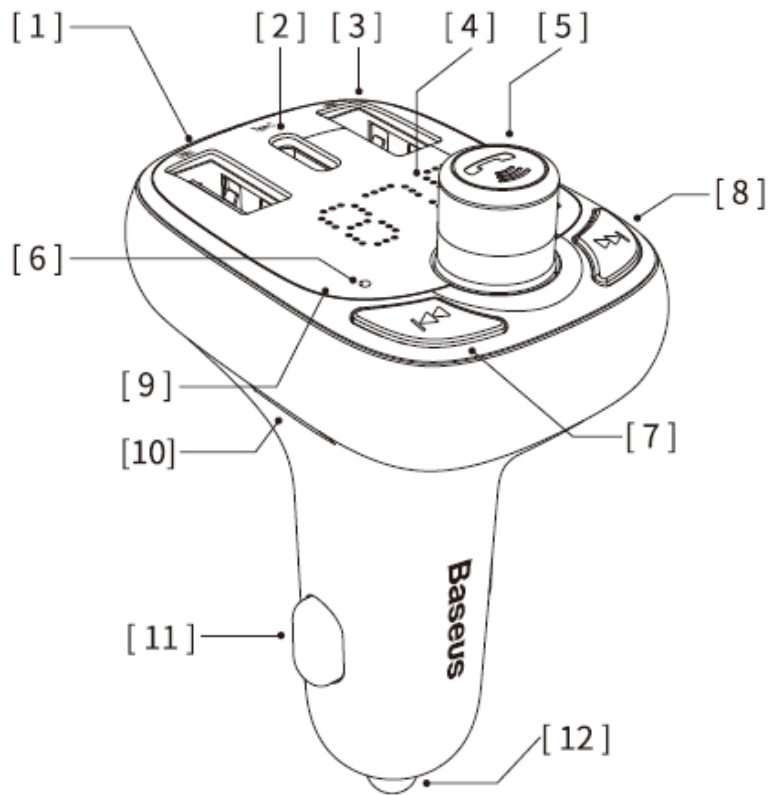
Flash disk/TF card capacity: ≤32GB

Audio Format: MP3 / WAV / FLAC / APE / WMA

Applicable models: universal for 12V-24V models

Applicable mobile phones: iP/Android phones, etc.

Distribution of keys and interfaces




- | | | |
|------------------------|--------------------------|--------------------------------------|
| [1] USB1 charging port | [2] Type-C charging port | [3] Flash disk/charging port |
| [4] LED display screen | [5] Multifunction keys | [6] Operating status indicator light |
| [7] Previous song | [8] Next song | [9] Microphone |
| [10] TF card slot | [11] Negative shrapnel | [12] Power positive cap |

Main functions

- | | |
|---------------------------------------|-------------------------------------|
| 01. Bluetooth Music Playback | 06. Battery Voltage Testing |
| 02. Handsfree Call | 07. Bluetooth for 2 Mobile Phones |
| 03. USB1/Type-C Quick Charge Port | 08. Bluetooth LED Display |
| 04. Flash Disk/TF Card Music Playback | 09. System Voice Broadcast |
| 05. FM Transmission | 10. Support Lossless Music Playback |

Basic operations

1. Insert the product S-13 into the cigarette lighter port of the car, and the display screen will light up after it is powered up, and the battery voltage will be displayed for 3 seconds. If the battery voltage is normal, FM frequency will be displayed immediately; if not, the screen will always display the battery voltage and keeps flashing.
2. FM frequency adjustment: Turn on the car radio, first select an empty channel frequency for the car radio, then adjust the frequency of the product S-13 to match the frequency of the car radio by pressing [] for 2 seconds. When the screen frequency number flashes, tune the knob left (-) and right (+) to set the FM transmission frequency of S-13, and it automatically enters the set frequency after adjustment without confirmation.

Bluetooth connection




1. For the first time, the player needs to be connected with the mobile phone via Bluetooth pairing, and the steps are as follows:

Open the phone Bluetooth and search player device named [S-13] and click for connection. After the pairing is successful, the system voice will remind you that "Bluetooth connected" and then the phone will be connected back automatically in the future. At this time, the music played by the mobile phone can be synchronized to the car stereo. (Note: The frequency set by product S-13 should avoid to the same as the local radio frequencies with strong FM signals. The cleaner the car frequency, the better the sound quality you can have.)

- Connecting two mobile phones at the same time:

the two mobile phones search for [S-13] at the same time. After the first mobile phone is connected successfully, connect the second mobile phone, and the mobile phones will be automatically connected in the future (Tip: If the second mobile phone cannot find [S-13] after searching, you can disconnect the Bluetooth of the first mobile phone that has been connected, and the second mobile phone can be connected with Bluetooth after searching).

Bluetooth hands-free call

- Answer the phone: short press the hands-free key [] once after the incoming call.
- Hang up the phone: short press the hands-free key [] once during the call.
- Reject the call: long press the hands-free key [] for 2 seconds once for the incoming call.
- Redial the last number: short press hands-free key [] twice continuously.

Music playback

- The priority of playing is Bluetooth -flash disk -TF card in turn, and the default status is Bluetooth when starting up.
- After Bluetooth is successfully connected, short press [⏮] to open the default player on the mobile phone for playing. Press [⏮] to play the previous song, and [⏭] to play the next song; turn the knob to the left to decrease the volume continuously, and right to increase the volume continuously.
- Shortly press the [⏸] key to play or pause the music while playing the song.
- In the Bluetooth state, after the flash disk/TF card is inserted, the music on it will be automatically played, and the inserted device later will be read first.
- Power-off memory: After power-off and restarted, the FM frequency, track and playback mode before power-off can be memorized.

Key operation

Answer a call : Short press the [⏸] key once for incoming calls

Hang up a call : Short press the [⏸] key once during dialing or calling

Reject a call : Press the [⏸] key for 2 seconds when there's an incoming call

Redial the last number : Short press the [⏸] key twice to dial the last outgoing number

Music Playback : The priority of playing is Bluetooth -flash disk -TF card, and the default mode is Bluetooth when starting up

Select previous and next songs : Press [⏮] to select the previous song, and press [⏭] to select the next song

Volume Up and Down : Turn the knob to the left to reduce the volume continuously, and right to increase the volume continuously

FM Frequency Adjustment : Long press the [⏸] key for 2 seconds, and the FM state is activated when the frequency flashes, and then it turn the knob left and right to adjust the frequency up and down

Mode Switch : In the working state, press the [⏸] key for 5 seconds to switch between the modes of Bluetooth, flash disk and TF Card

Indication of status light

- Blue-green alternative quick flash: Bluetooth not connected.
- Solid blue light: Bluetooth connected/Bluetooth music paused.

- Blue light flashing slowly: playing Bluetooth music
- Green light flashing slowly: playing music from flash disk/TF card.
- Solid green light: during phone call, music from flash disk/TF card will be paused.

Car charging function

- USB1/Type-C is a quick charge port: mobile phones with protocols supporting PD3.0, PPS, QC3.0, Huawei SCP, FCP, etc. can be charged quickly. when using quick charge, please use the charging cable that matches the mobile phone.
 - Quick charging is not supported when USB1 and Type-C ports are being used for charging at the same time. USB1 port supports DC5V/2.5A at the maximum, and Type-C port DC5V/2.5A.
- USB2 is ordinary charging port, and supports music playback from flash disk.

Battery voltage testing function

When the battery voltage is lower than 11.6V or higher than 14.8V for vehicles with 12V battery, the LED digital tube will display the current abnormal voltage and flash; when the battery voltage is lower than 23.2V or higher than 27.2V for vehicles with 24V battery, the LED digital tube will display the current abnormal voltage and flash. The voltage warning function allows users to know the health status of battery voltage at any time.

(Note: In case of the abnormal voltage and the screen flashes, it is recommended to replace the car battery or conduct the maintenance. At this time, the S-13 function can still be used normally!)

Car Series	Abnormal range	Normal range before startup	Normal range after startup
12V	<11.6V or >14.8V	11.6V~12.8V	11.6V~14.8V
24V	<23.2V or >27.2V	23.2V~25.6V	23.2V~27.2V

Important Notice

- Do not allow children to unplug and play with products and charging cable!
- The input voltage of the product is DC12V/24V. Use beyond the specified voltage range will result in abnormality and damage!
- If the product is not used for a long time, please pull it out of the cigarette lighter socket on the car!

- In the process of using, please avoid using the frequency of the local station with strong FM signal when setting FM frequency; otherwise the quality of music playing will be affected by the interference of the radio station!
- Do not use this product in areas with high voltage lines and strong magnetic fields!
- Please do not disassemble the product!

Q&A

Q: Can I change the FM transmit frequency?

A: Yes, the product can remember the last frequency you used when it is turned on next time. If you need to adjust the frequency, just press and hold the hands-free key for 2 seconds and then tune the knob to the left or right for adjustment.

Q: Why doesn't the phone support quick charging?

A: Please confirm whether your mobile phone supports the charging protocol supported by this product. In addition, please confirm whether the charging cable used supports the quick charging function matched by the mobile phone.

Q: The mobile phone can find [S-13] device, but the connection was unsuccessful?

A: Please confirm whether any other mobile phone is connected to this product, disconnect it from Bluetooth and try again.

Q: Is it safe to charge the mobile phone?

A: Yes. You can rest assured if you operate by following the standard; we've designed a variety of conventional protection circuits inside our products.

Q: Does it support navigation broadcasting?

A: After the Bluetooth is successfully connected, it can support the voice navigation broadcast of the mobile phone.

Q: Is there any noise in the music when playing in the car?

A: It is recommended to use the empty local frequency or the frequency with weak radio signal.

Q: The device music can't be played from the car radio?

A: Please confirm whether the player is connected to the Bluetooth of the mobile phone and whether the frequency on the player is consistent with that of the car.

Q: The voltage value displayed on the display screen is flashing all the time?

A: It indicates that the voltage of the car battery has exceeded the standard voltage range, and it is recommended to go to the car repair station for battery maintenance.

Q: Why the Bluetooth connection of the second mobile phone is failed?

A: Please check whether the Bluetooth of the first mobile phone is connected successfully. If so, please disconnect the Bluetooth first. Then search with the second mobile phone for connection again, and turn on the Bluetooth of the first mobile phone.

This device complies with part 15 of the FCC Rules. Operation is subject to the following two conditions: (1) this device may not cause harmful interference, and (2) this device must accept any interference received, including interference that may cause undesired operation. Any changes or modifications not expressly approved by the party responsible for compliance could void the user's authority to operate the equipment.

NOTE: This equipment has been tested and found to comply with the limits for a Class B digital device, pursuant to Part 15 of the FCC Rules. These limits are designed to provide reasonable protection against harmful interference in a residential installation. This equipment generates, uses and can radiate radio frequency energy and, if not installed and used in accordance with the instructions, may cause harmful interference to radio communications. However, there is no guarantee that interference will not occur in a particular installation. If this equipment does cause harmful interference to radio or television reception, which can be determined by turning the equipment off and on, the user is encouraged to try to correct the interference by one or more of the following measures:

- Reorient or relocate the receiving antenna.
- Increase the separation between the equipment and receiver.
- Connect the equipment into an outlet on a circuit different from that to which the receiver is connected.
- Consult the dealer or an experienced radio/TV technician for help.

RF warning:

This equipment complies with FCC radiation exposure limits set forth for an uncontrolled environment. This equipment should be installed and operated with minimum distance 20cm between the radiator & your body.

It is hereby declared that CCTM-A01、 CCTM-B01 , a product model of Shenzhen Times Innovation Technology Co., Ltd., complies with the provisions of Directive 2014/53/EU and Directive 2011/65/EU. The full text of the EC Declaration of Conformity can be found on the following website:



This equipment complies with the provisions of Directive 2012/19/EU. It is strictly forbidden to dispose of this equipment with ordinary trash; it must be recycled. This symbol indicates that the product shall not be treated as regular domestic trash, and must be delivered to a recycling center that is capable of recycling electronic and electrical equipment.



Manufacturer: Shenzhen Times Innovation Technology Co., Ltd.
Add: 5th Floor, Building B, Baseus Intelligence Park, No.2008, Xuegang Rd,
Gangtou Community, Bantian Street, Longgang District, Shenzhen
Executive Standard: Q/SSCZ 012-2020
Hotline: +86-4000-712-711 Website: www.baseus.com

Designed by Baseus
Made in China

PB2065Z_P0A1