

Label

FCC ID: 2AY37-E2

Location

Product is too small, label place in user manual. See below :

If this equipment does cause harmful interference to radio or television reception, which can be determined by turning the equipment off and on, the user is encouraged to try to correct the interference by one or more of the following measures:

- Reorient or relocate the receiving antenna.
- Increase the separation between the equipment and receiver.
- Connect the equipment into an outlet on a circuit different from that to which the receiver is connected.
- Consult the dealer or an experienced radio/TV technician for help. The device has been evaluated to meet general RF exposure requirement. The device can be used in portable exposure condition without restriction

FCC ID: 2AY37-E2

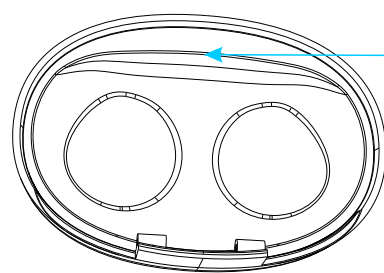


It is only suitable for use in areas with an elevation of 2000 meters and below

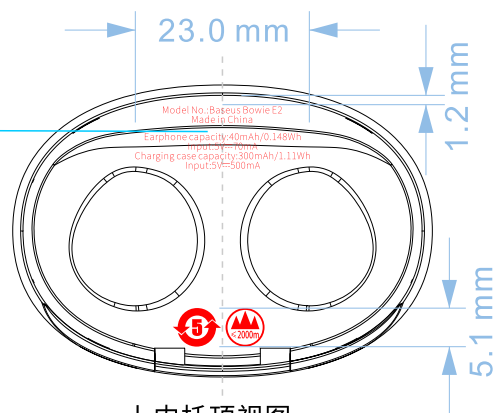


Warning Please follow the above safety instructions otherwise it will cause fire, electric shock, damage or other damage.

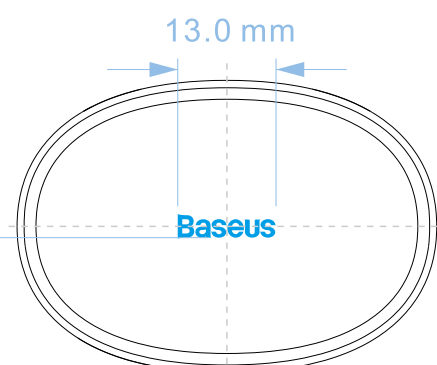




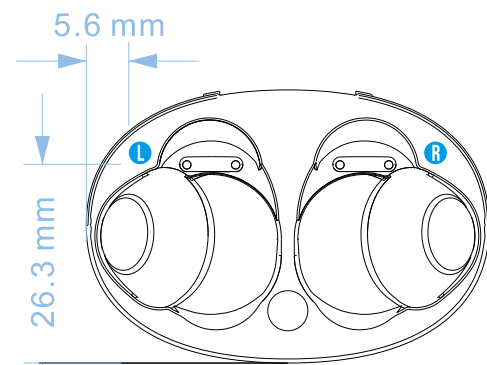
侧面参数以边缘开始镭雕



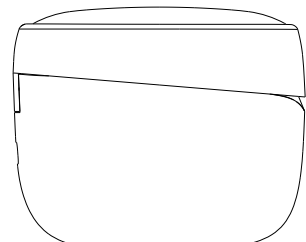
上内托顶视图



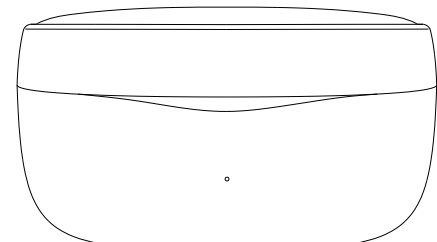
顶视图



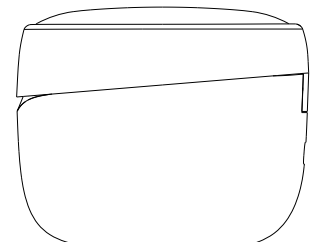
下内托顶视图



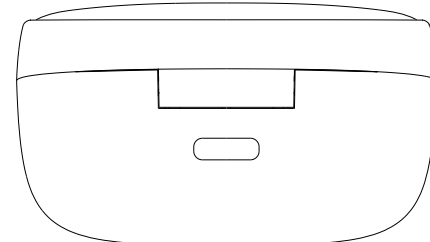
左视图



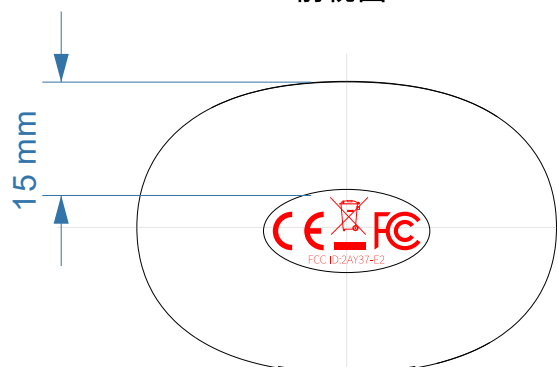
前视图



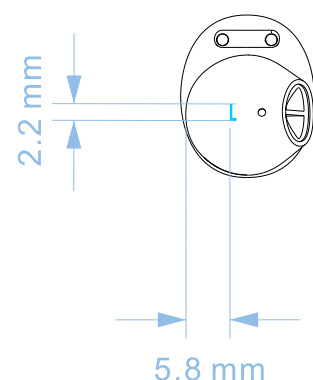
右视图



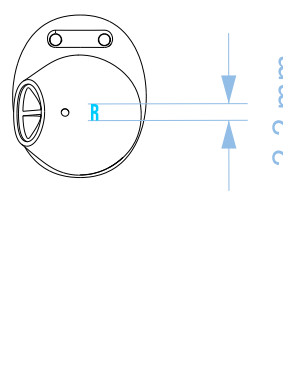
后视图



底视图



5.8 mm



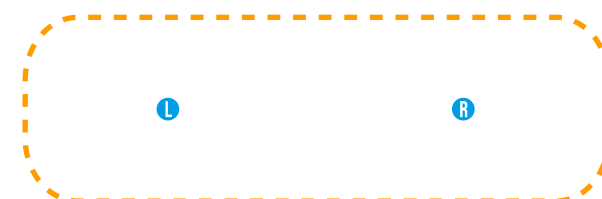
2.2 mm



Baseus

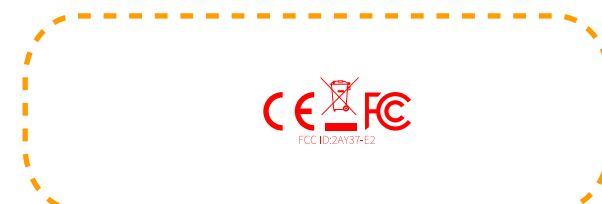
1、Logo

工艺:菲林亮面(2000#)



2、左右字符

工艺:菲林亮面(2000#)



3、底部信息

工艺:镭雕

黑色款:Pantone Cool Gary6C

浅色款:Pantone Cool Gary2C

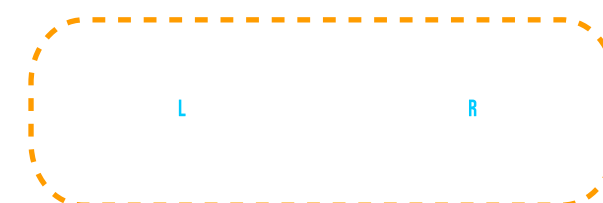


4、内托参数

工艺:镭雕

黑色款:Pantone Cool Gary6C

浅色款:Pantone Cool Gary2C



5、机头LR

工艺:镭雕

黑色款:Pantone Cool Gary6C

浅色款:Pantone Cool Gary2C

修改点:

SN码追期批次更新要求说明:

SN码后4位序列码为日期码:日期码为年/月码,如2020年5月则为2005,
请根据每批次订单实际交货日期月份而更新此后4位序列日期码。

制图:

秦康玲

设计审核:

黄宜成

内容审核:

郭锐