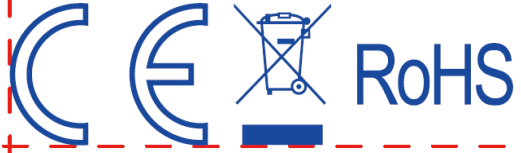


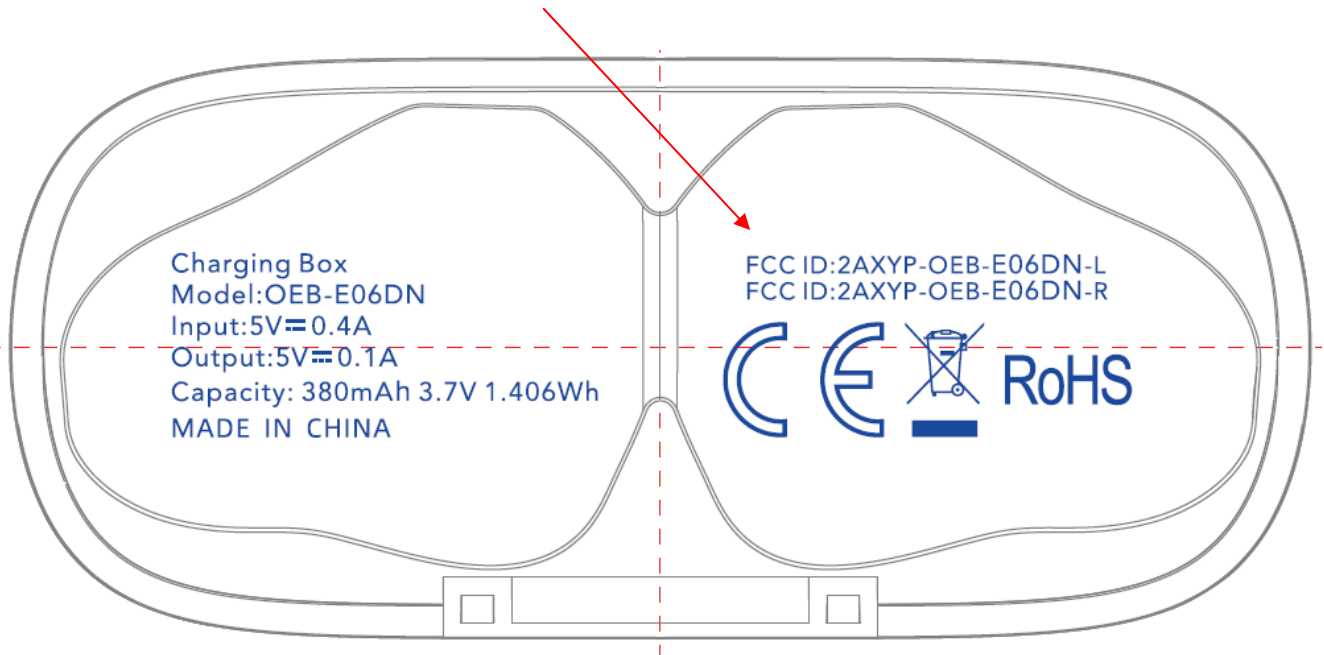
### FCC ID Label

Charging Box  
Model:OEB-E06DN  
Input:5V $\Rightarrow$ 0.4A  
Output:5V $\Rightarrow$ 0.1A  
Capacity: 380mAh 3.7V 1.406Wh  
MADE IN CHINA

FCC ID:2AXYP-OEB-E06DN-L  
FCC ID:2AXYP-OEB-E06DN-R



### FCC ID Label Location Information



The label shown shall be permanently affixed at a conspicuous location on the device and be readily visible to the user at the time purchase (Labeling requirements per 2.925)