



# FCC TEST REPORT

## FCC ID:2AXY5-T2

**Report Number** ..... : ZKT-2110215575E

Date of Test ..... Oct. 19, 2021 to Oct. 26, 2021

Date of issue ..... : Oct. 26, 2021

Total number of pages ..... 21

Test Result ..... : PASS

**Testing Laboratory** ..... : **Shenzhen ZKT Technology Co., Ltd.**

Address ..... : 1/F, No. 101, Building B, No. 6, Tangwei Community Industrial Avenue, Fuhai Street, Bao'an District, Shenzhen, China

**Applicant's name** ..... : **Shenzhen Yifeng Intelligent Technology Co., Ltd.**

Address ..... : 10th Floor,Building 2,Chaxi,Zone B,Huafeng First Science Park,Hangcheng Sterrt,Gushu,Baoan District,Shenzhen

**Manufacturer's name** ..... : **Shenzhen Yifeng Intelligent Technology Co., Ltd.**

Address ..... : 10th Floor,Building 2,Chaxi,Zone B,Huafeng First Science Park,Hangcheng Sterrt,Gushu,Baoan District,Shenzhen

**Test specification:**

Standard ..... : FCC CFR Title 47 Part 15 Subpart C

Test procedure ..... : /

Non-standard test method ..... : N/A

**Test Report Form No.** ..... : TRF-EL-107\_V0

**Test Report Form(s) Originator** .... : ZKT Testing

**Master TRF** ..... : Dated: 2020-01-06

This device described above has been tested by ZKT, and the test results show that the equipment under test (EUT) is in compliance with the FCC requirements. And it is applicable only to the tested sample identified in the report.

This report shall not be reproduced except in full, without the written approval of ZKT, this document may be altered or revised by ZKT, personal only, and shall be noted in the revision of the document.

**Product name** ..... : 2-in-1 Wireless Charging Pad

Trademark ..... : N/A

Model/Type reference ..... : T2

Input: DC 9V 2A

Ratings ..... : Output Right: Phone 10W / TWS 5W

Output Left: Phone 10W / TWS 5W



**Testing procedure and testing location:**

**Testing Laboratory**.....: **Shenzhen ZKT Technology Co., Ltd.**

**Address**.....: 1/F, No. 101, Building B, No. 6, Tangwei Community Industrial Avenue, Fuhai Street, Bao'an District, Shenzhen, China

**Tested by (name + signature)**.....: **Alan He**

**Reviewer (name + signature)**.....: **Joe Liu**

**Approved (name + signature)**.....: **Lake Xie**



## TABLE OF CONTENTS

<b>1. VERSION</b> .....	<b>4</b>
<b>2. TEST SUMMARY</b> .....	<b>5</b>
2.1 TEST FACILITY.....	6
2.2 MEASUREMENT UNCERTAINTY.....	6
<b>3. GENERAL INFORMATION</b> .....	<b>7</b>
3.1 GENERAL DESCRIPTION OF EUT.....	7
3.2 Test mode.....	7
3.3 Block Diagram of EUT Configuration.....	8
3.4 Test Conditions.....	8
3.5 Description Of Support Units (Conducted Mode).....	8
3.6 EQUIPMENTS LIST FOR ALL TEST ITEMS.....	9
<b>4. CONDUCTED EMISSION TEST</b> .....	<b>10</b>
4.1 CONDUCTED EMISSION MEASUREMENT.....	10
4.1.1 POWER LINE CONDUCTED EMISSION Limits.....	10
4.1.2 TEST PROCEDURE.....	10
4.1.3 DEVIATION FROM TEST STANDARD.....	10
4.1.4 TEST SETUP.....	11
4.1.5 EUT OPERATING CONDITIONS.....	11
4.1.6 Test Result.....	11
<b>5. RADIATED EMISSION MEASUREMENT</b> .....	<b>14</b>
5.1 Radiated Emission Limits.....	14
5.2 Anechoic Chamber Test Setup Diagram.....	15
5.3 Test Procedure.....	15
5.4 DEVIATION FROM TEST STANDARD.....	15
5.5 Test Result.....	16
<b>6. BANDWIDTH TEST</b> .....	<b>19</b>
<b>7. TEST SETUP PHOTO</b> .....	<b>21</b>
<b>8. EUT CONSTRUCTIONAL DETAILS</b> .....	<b>21</b>



**1. VERSION**

Report No.	Version	Description	Approved
ZKT-2110215575E	Rev.01	Initial issue of report	Oct. 26, 2021



## 2. TEST SUMMARY

Test Item	Section in CFR 47	Result
Antenna requirement	15.203	Pass
AC Power Line Conducted Emission	15.207	Pass
Spurious Emission	15.209(a)(f)	Pass
20dB Bandwidth	15.215	Pass

NOTE:

(1) "N/A" denotes test is not applicable in this Test Report



## 2.1 TEST FACILITY

Shenzhen ZKT Technology Co., Ltd.  
Add. : 1/F, No. 101, Building B, No. 6, Tangwei Community Industrial Avenue, Fuhai Street,  
Bao'an District, Shenzhen, China

FCC Test Firm Registration Number: 692225  
Designation Number: CN1299  
IC Registered No.: 27033

## 2.2 MEASUREMENT UNCERTAINTY

The reported uncertainty of measurement  $y \pm U$ , where expanded uncertainty  $U$  is based on a standard uncertainty multiplied by a coverage factor of  $k=2$ , providing a level of confidence of approximately 95 %.

No.	Item	Uncertainty
1	3m chamber Radiated spurious emission(30MHz-1GHz)	U=4.3dB
2	3m chamber Radiated spurious emission(1GHz-18GHz)	U=4.5dB
3	3m chamber Radiated spurious emission(18GHz-40GHz)	U=3.34dB
4	Conducted Adjacent channel power	U=1.38dB
5	Conducted output power uncertainty Above 1G	U=1.576dB
6	Conducted output power uncertainty below 1G	U=1.28dB
7	humidity uncertainty	U=5.3%
8	Temperature uncertainty	U=0.59°C
9	Radiated disturbance(30MHz-1000MHz)	U=4.8dB
10	Radiated disturbance(1GHz-6GHz)	U=4.9dB
11	Radiated disturbance(1GHz-18GHz)	U=5.0dB



### 3. GENERAL INFORMATION

#### 3.1 GENERAL DESCRIPTION OF EUT

Product Name:	2-in-1 Wireless Charging Pad
Model No.:	T2
Model Difference:	N/A
Serial No.:	N/A
Hardware version:	H1.0
Software version:	S1.0
Operation Frequency:	115kHz ~ 205KHz
Modulation type:	MSK
Antenna Type:	Inductive loop coil Antenna
Antenna gain:	0dBi
Power supply:	Input: DC 9V 2A Output Right: Phone 10W / TWS 5W Output Left: Phone 10W / TWS 5W

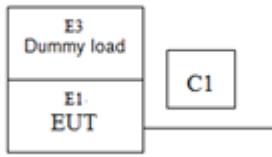
#### 3.2 Test mode

Test Modes:		
Mode 1	AC/DC Adapter (9V/2A) + EUT + Right Mobile Phone XIAOMI (10W)	
Mode 2	AC/DC Adapter (9V/2A) + EUT + Right Mobile Phone XIAOMI (7.5W)	
Mode 3	AC/DC Adapter (9V/2A) + EUT + Right Mobile Phone XIAOMI (5W)	
Mode 4	AC/DC Adapter (9V/2A) + EUT + Right TWS XIAOMI (5W)	
Mode 5	AC/DC Adapter (9V/2A) + EUT + Left Mobile Phone XIAOMI (10W)	
Mode 6	AC/DC Adapter (9V/2A) + EUT + Left Mobile Phone XIAOMI (7.5W)	
Mode 7	AC/DC Adapter (9V/2A) + EUT + Left Mobile Phone XIAOMI (5W)	
Mode 8	AC/DC Adapter (9V/2A) + EUT + Left TWS XIAOMI (5W)	
Mode 9	AC/DC Adapter (9V/2A) + EUT + Right Mobile Phone XIAOMI (10W)+ Left Mobile Phone XIAOMI (7.5W)	
Mode 10	AC/DC Adapter (9V/2A) + EUT + Left Mobile Phone XIAOMI (10W)+ Right Mobile Phone XIAOMI (7.5W)	Record
Mode 11	AC/DC Adapter (9V/2A) + EUT + Right Mobile Phone XIAOMI (10W)+ Left TWS XIAOMI (5W)	
Mode 12	AC/DC Adapter (9V/2A) + EUT + Left Mobile Phone XIAOMI (10W)+ Right TWS XIAOMI (5W)	
Note: All test modes were pre-tested, but we only recorded the worst case in this report.		

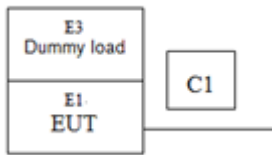


### 3.3 Block Diagram of EUT Configuration

#### Conducted Emission



#### Radiated Emission



### 3.4 Test Conditions

Temperature: 23~26°C

Relative Humidity: 54~63 %

### 3.5 Description Of Support Units (Conducted Mode)

The EUT has been tested as an independent unit together with other necessary accessories or support units. The following support units or accessories were used to form a representative test configuration during the tests.

Item	Equipment	Mfr/Brand	Model/Type No.	Series No.	Note
E1	2-in-1 Wireless Charging Pad	N/A	T2	N/A	EUT
E3	Phone	XIAOMI	DL01	N/A	Auxiliary
E3	Phone	HUAWEI	DL02	N/A	Auxiliary
E3	TWS	XIAOMI	DL03	N/A	Auxiliary

Item	Shielded Type	Ferrite Core	Length	Note
C1	NO	NO	1.0M	DC cable unshielded

Note:

- (1) The support equipment was authorized by Declaration of Confirmation.
- (2) For detachable type I/O cable should be specified the length in cm in 『Length』 column.
- (3) “YES” is means “shielded” “with core”; “NO” is means “unshielded” “without core”.





### 3.6 EQUIPMENTS LIST FOR ALL TEST ITEMS

#### Radiation Test equipment

Item	Equipment	Manufacturer	Type No.	Serial No.	Last calibration	Calibrated until
1	Spectrum Analyzer (9kHz-26.5GHz)	KEYSIGHT	9020A	MY45109572	Sep. 22, 2021	Sep. 21, 2022
2	Spectrum Analyzer (1GHz-40GHz)	Agilent	E4446A	100363	Sep. 22, 2021	Sep. 21, 2022
3	Test Receiver (9kHz-7GHz)	R&S	ESC17	101169	Sep. 22, 2021	Sep. 21, 2022
4	Bilog Antenna (30MHz-1400MHz)	Schwarzbeck	VULB9168	00877	Sep. 22, 2021	Sep. 21, 2022
5	Horn Antenna (1GHz-18GHz)	SCHWARZBEC K	BBHA9120D	1541	Sep. 22, 2021	Sep. 21, 2022
6	Horn Antenna (18GHz-40GHz)	A.H. System	SAS-574	588	Sep. 22, 2021	Sep. 21, 2022
7	Amplifier (30-1000MHz)	EM Electronics	EM330 Amplifier	N/A	Sep. 22, 2021	Sep. 21, 2022
8	Amplifier (1GHz-40GHz)	全聚达	DLE-161	097	Sep. 22, 2021	Sep. 21, 2022
9	Loop Antenna (9KHz-30MHz)	SCHWARZBEC K	FMZB1519B	014	Sep. 22, 2021	Sep. 21, 2022
10	RF cables1 (9kHz-30MHz)	N/A	9kHz-30MHz	N/A	Sep. 22, 2021	Sep. 21, 2022
11	RF cables2 (30MHz-1GHz)	N/A	30MHz-1GHz	N/A	Sep. 22, 2021	Sep. 21, 2022
12	RF cables3 (1GHz-40GHz)	N/A	1GHz-40GHz	N/A	Sep. 22, 2021	Sep. 21, 2022
13	CMW500 Test	R&S	CMW500	106504	Sep. 22, 2021	Sep. 21, 2022
14	ESG Signal Generator	Agilent	E4421B	GB40051203	Sep. 22, 2021	Sep. 21, 2022
15	Signal Generator	Agilent	N5182A	MY47420215	Sep. 22, 2021	Sep. 21, 2022
16	D.C. Power Supply	LongWei	TPR-6405D	\	\	\
17	Software	Frad	EZ-EMC	FA-03A2 RE	\	\

#### Conduction Test equipment

Item	Kind of Equipment	Manufacturer	Type No.	Serial No.	Last calibration	Calibrated until
1	LISN	R&S	ENV216	101471	Sep. 22, 2021	Sep. 21, 2022
2	LISN	CYBERTEK	EM5040A	E185040014 9	Sep. 22, 2021	Sep. 21, 2022
3	Test Cable	N/A	C01	N/A	Sep. 22, 2021	Sep. 21, 2022
4	Test Cable	N/A	C02	N/A	Sep. 22, 2021	Sep. 21, 2022
5	EMI Test Receiver	R&S	ESRP3	101946	Sep. 22, 2021	Sep. 21, 2022
6	Absorbing Clamp	DZ	ZN23201	N/A	Sep. 22, 2021	Sep. 21, 2022



#### 4. CONDUCTED EMISSION TEST

##### 4.1 CONDUCTED EMISSION MEASUREMENT

Test Requirement:	FCC Part15 C Section 15.207
Test Method:	ANSI C63.10:2013
Test Frequency Range:	150KHz to 30MHz
Receiver setup:	RBW=9KHz, VBW=30KHz, Sweep time=auto

##### 4.1.1 POWER LINE CONDUCTED EMISSION Limits

FREQUENCY (MHz)	Limit (dBuV)		Standard
	Quas -peak	Average	
0.15 -0.5	66 - 56 *	56 - 46 *	FCC
0.50 -5.0	56.00	46.00	FCC
5.0 -30.0	60.00	50.00	FCC

Note:

(1) \*Decreases with the logarithm of the frequency.

##### 4.1.2 TEST PROCEDURE

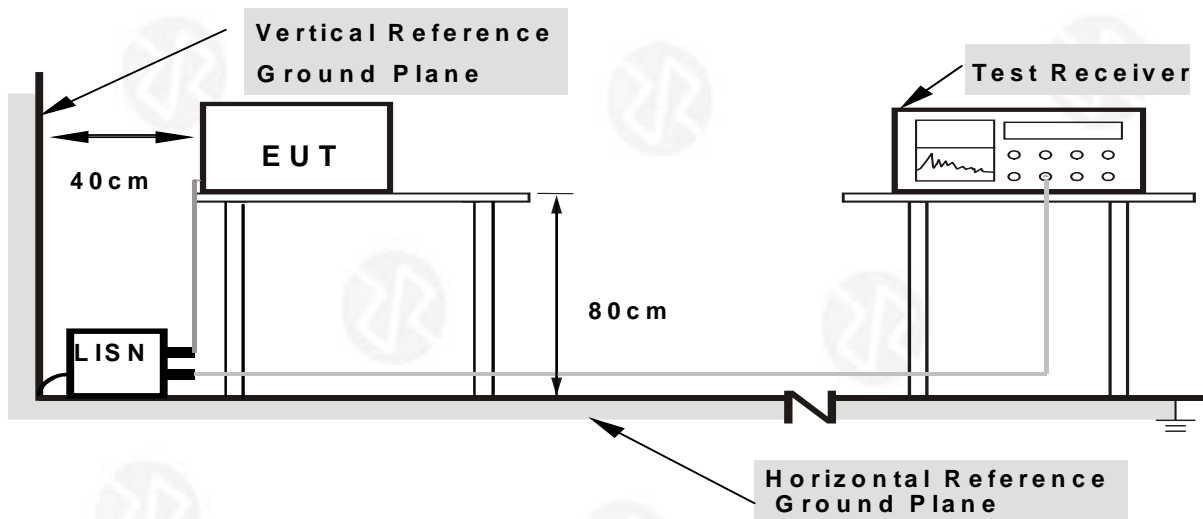
- The EUT was placed 0.8 meters from the horizontal ground plane with EUT being connected to the power mains through a line impedance stabilization network (LISN). All other support equipments powered from additional LISN(s). The LISN provide 50 Ohm/ 50uH of coupling impedance for the measuring instrument.
- Interconnecting cables that hang closer than 40 cm to the ground plane shall be folded back and forth in the center forming a bundle 30 to 40 cm long.
- I/O cables that are not connected to a peripheral shall be bundled in the center. The end of the cable may be terminated, if required, using the correct terminating impedance. The overall length shall not exceed 1 m.
- LISN at least 80 cm from nearest part of EUT chassis.
- For the actual test configuration, please refer to the related Item –EUT Test Photos.

##### 4.1.3 DEVIATION FROM TEST STANDARD

No deviation



#### 4.1.4 TEST SETUP



- Note:**
1. Support units were connected to second LISN.
  2. Both of LISNs (AMN) are 80 cm from EUT and at least 80 cm from other units and other metal planes

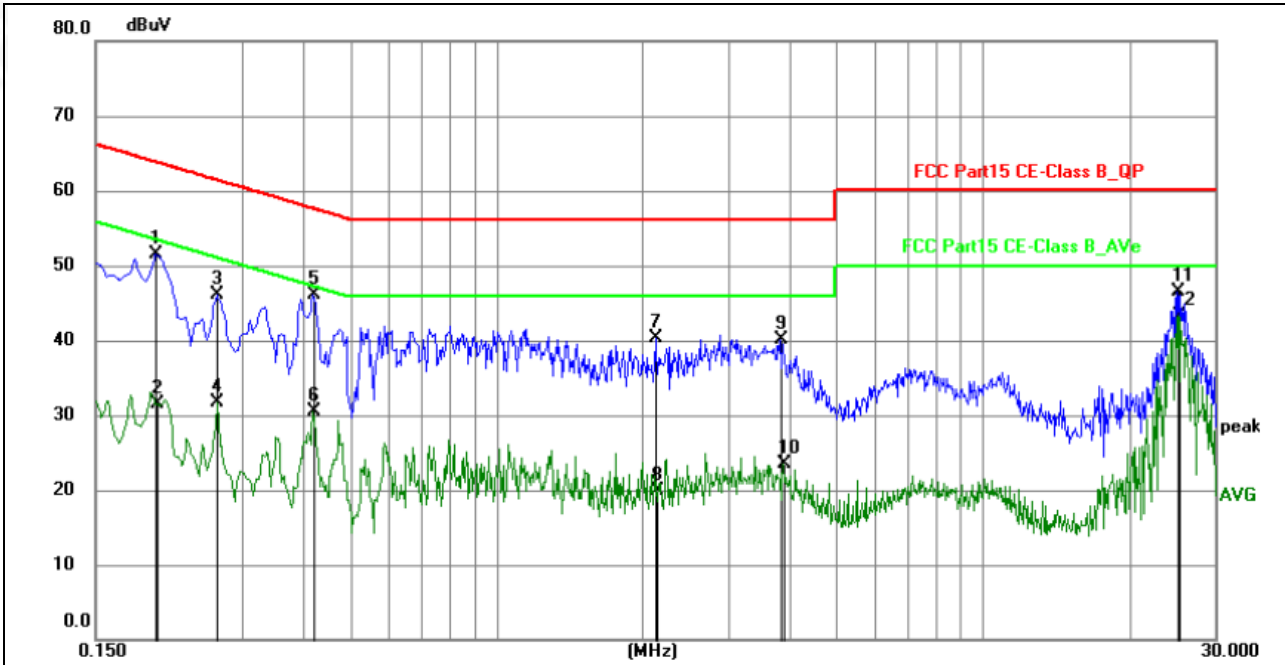
#### 4.1.5 EUT OPERATING CONDITIONS

The EUT was configured for testing in a typical fashion (as a customer would normally use it). The EUT has been programmed to continuously transmit during test. This operating condition was tested and used to collect the included data.

#### 4.1.6 Test Result



Temperature:	26°C	Relative Humidity:	54%
Pressure:	101kPa	Phase :	L
Test Voltage :	AC 120V/60Hz		



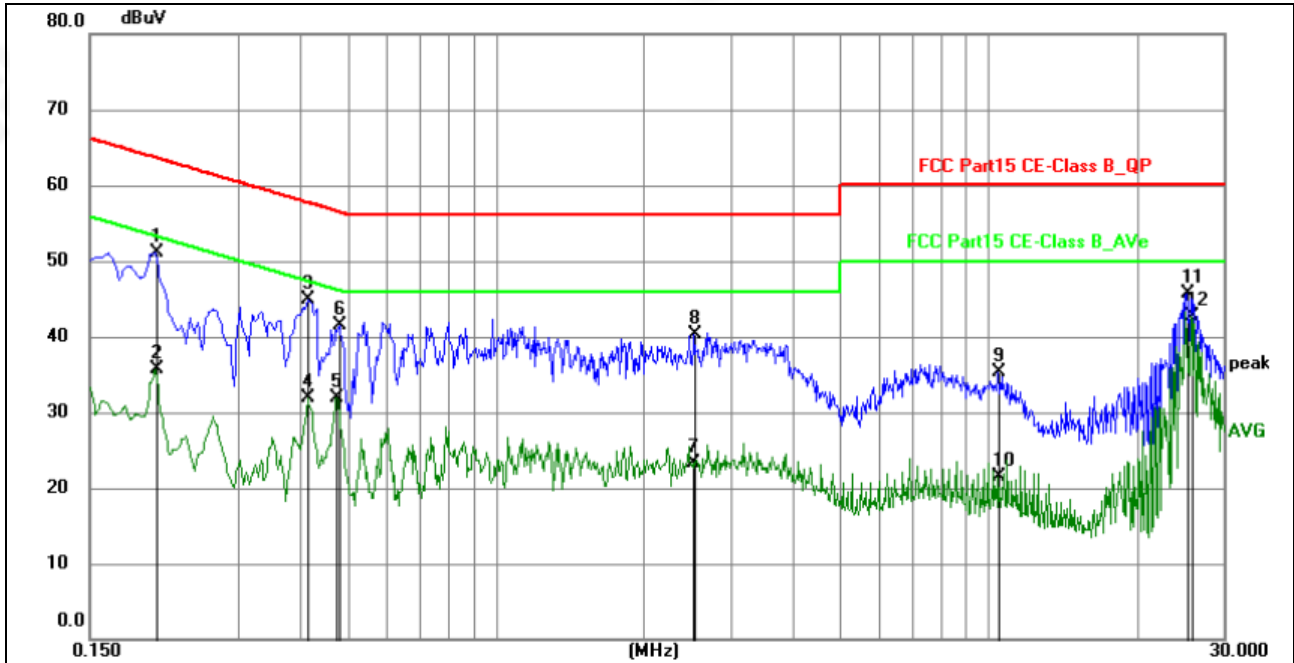
No.	Frequency (MHz)	Reading (dBuV)	Factor (dB)	Level (dBuV)	Limit (dBuV)	Margin (dB)	Detector	P/F	Remark
1	0.1995	39.56	11.93	51.49	63.63	-12.14	QP	P	
2	0.1997	19.61	11.93	31.54	53.62	-22.08	AVG	P	
3	0.2670	34.50	11.61	46.11	61.21	-15.10	QP	P	
4	0.2670	20.00	11.61	31.61	51.21	-19.60	AVG	P	
5	0.4200	35.17	10.90	46.07	57.45	-11.38	QP	P	
6	0.4200	19.66	10.90	30.56	47.45	-16.89	AVG	P	
7	2.1255	30.07	10.16	40.23	56.00	-15.77	QP	P	
8	2.1435	9.85	10.15	20.00	46.00	-26.00	AVG	P	
9	3.8310	30.72	9.40	40.12	56.00	-15.88	QP	P	
10	3.8850	14.23	9.36	23.59	46.00	-22.41	AVG	P	
11	25.1025	36.52	9.91	46.43	60.00	-13.57	QP	P	
12	25.2735	33.30	9.91	43.21	50.00	-6.79	AVG	P	

Notes:

1. An initial pre-scan was performed on the line and neutral lines with peak detector.
2. Quasi-Peak and Average measurement were performed at the frequencies with maximized peak emission.
3. Measurement Level = Reading level + Correct Factor



Temperature:	26°C	Relative Humidity:	54%
Pressure:	101kPa	Phase :	N
Test Voltage :	AC 120V/60Hz		



No.	Frequency (MHz)	Reading (dBuV)	Factor (dB)	Level (dBuV)	Limit (dBuV)	Margin (dB)	Detector	P/F	Remark
1	0.2040	39.26	11.90	51.16	63.45	-12.29	QP	P	
2	0.2040	23.76	11.90	35.66	53.45	-17.79	AVG	P	
3	0.4155	33.98	10.92	44.90	57.54	-12.64	QP	P	
4	0.4155	20.91	10.92	31.83	47.54	-15.71	AVG	P	
5	0.4740	21.20	10.66	31.86	46.44	-14.58	AVG	P	
6	0.4830	30.97	10.62	41.59	56.29	-14.70	QP	P	
7	2.5170	13.30	10.06	23.36	46.00	-22.64	AVG	P	
8	2.5305	30.26	10.06	40.32	56.00	-15.68	QP	P	
9	10.5045	26.81	8.53	35.34	60.00	-24.66	QP	P	
10	10.5045	13.07	8.53	21.60	50.00	-28.40	AVG	P	
11	25.3050	35.84	9.91	45.75	60.00	-14.25	QP	P	
12	25.7730	32.80	9.92	42.72	50.00	-7.28	AVG	P	

Notes:

1. An initial pre-scan was performed on the line and neutral lines with peak detector.
2. Quasi-Peak and Average measurement were performed at the frequencies with maximized peak emission.
3. Measurement Level = Reading level + Correct Factor

**5. RADIATED EMISSION MEASUREMENT**

Test Requirement:	FCC Part15 C Section 15.209				
Test Method:	ANSI C63.10:2013				
Test Frequency Range:	9kHz to 1GHz				
Test site:	Measurement Distance: 3m				
Receiver setup:	Frequency	Detector	RBW	VBW	Value
	9KHz-150KHz	Quasi-peak	200Hz	600Hz	Quasi-peak
	150KHz-30MHz	Quasi-peak	9KHz	30KHz	Quasi-peak
	30MHz-1GHz	Quasi-peak	100KHz	300KHz	Quasi-peak
	Above 1GHz	Peak	1MHz	3MHz	Peak
Peak		1MHz	10Hz	Average	

## 5.1 Radiated Emission Limits

**Limits for frequency below 30MHz**

Frequency	Limit (uV/m)	Measurement Distance(m)	Remark
0.009-0.490	2400/F(kHz)	300	Quasi-peak Value
0.490-1.705	24000/F(kHz)	30	Quasi-peak Value
1.705-30	30	30	Quasi-peak Value

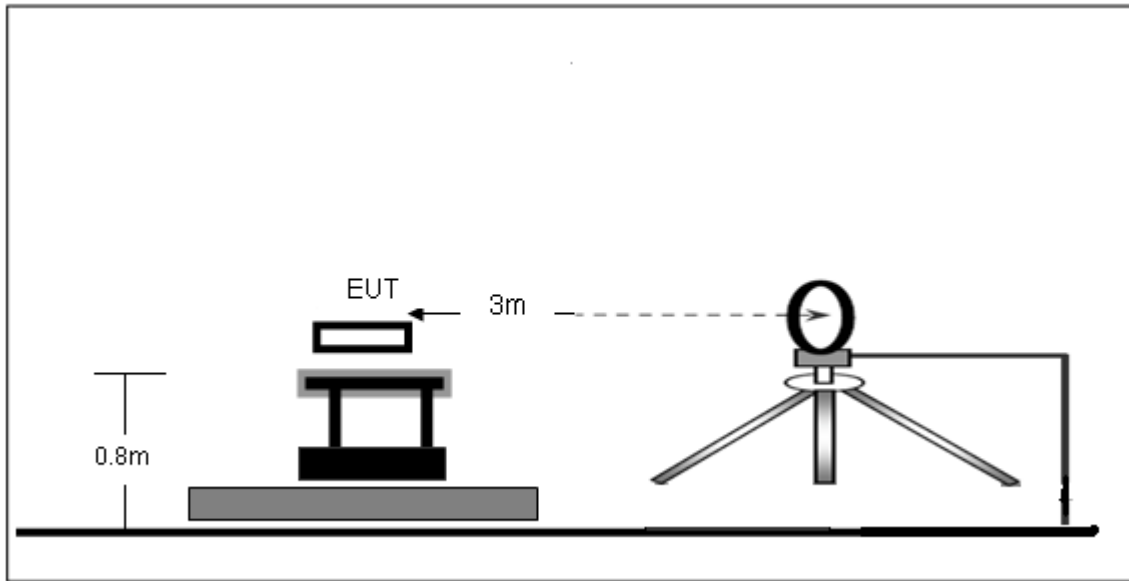
**Limits for frequency Above 30MHz**

Frequency	Limit (dBuV/m @3m)	Remark
30MHz-88MHz	40.00	Quasi-peak Value
88MHz-216MHz	43.50	Quasi-peak Value
216MHz-960MHz	46.00	Quasi-peak Value
960MHz-1GHz	54.00	Quasi-peak Value
Above 1GHz	54.00	Average Value
	74.00	Peak Value

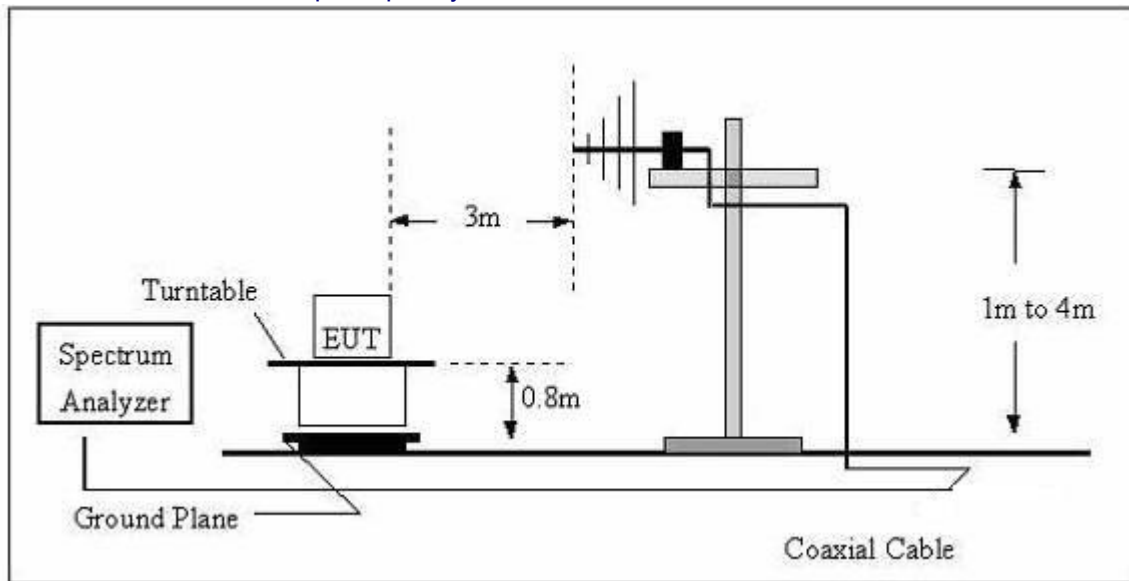


## 5.2 Anechoic Chamber Test Setup Diagram

(A) Radiated Emission Test-Up Frequency Below 30MHz



(B) Radiated Emission Test-Up Frequency 30MHz~1GHz



The radiated emission tests were performed in the 3 meters chamber test site, using the setup accordance with the ANSI C63.10-2013. The specification used was the FCC 15.209 and FCC 15.205 limits.

## 5.3 Test Procedure

The EUT is placed on a turn table which is 0.8 meter above ground. The turn table can rotate 360 degrees to determine the position of the maximum emission level. The EUT is set 3 meters away from the receiving antenna which is mounted on a antenna tower. The antenna can move up and down between 1 to 4 meters to find out the maximum emission level. Broadband antenna (calibrated by dipole antenna) are used as a receiving antenna. Both horizontal and vertical polarization of the antenna are set on measurement.

## 5.4 DEVIATION FROM TEST STANDARD

No deviation



5.5 Test Result

Measurement data:

Note: Limit dBuV/m @3m = Limit dBuV/m @300m+ 80

Limit dBuV/m @3m = Limit dBuV/m @30m + 40

9 kHz~30 MHz

Frequency (kHz)	Meter Reading (dBμV)	Factor (dB)	Emission Level (dBμV/m)	Limits (dBμV/m)	Margin (dB)	Detector Type
24.8300	39.58	20.15	59.73	139.72	-79.99	PK
24.8300	36.27	20.15	56.42	119.72	-63.30	AV
56.7500	50.17	20.33	70.50	132.53	-62.03	PK
56.7500	47.68	20.33	68.01	112.53	-44.52	AV
121.6400	67.68	20.55	88.23	125.91	-37.68	PK
121.6400	33.28	20.55	53.83	105.91	-52.08	AV
685.1800	31.98	20.64	52.62	70.89	-18.27	QP
965.6400	35.22	21.26	56.48	67.91	-11.43	QP
1222.3800	25.27	22.32	47.59	65.86	-18.27	QP

Note:

Pre-scan in the all of mode, the worst case in of was recorded.

Factor = antenna factor + cable loss – pre-amplifier.

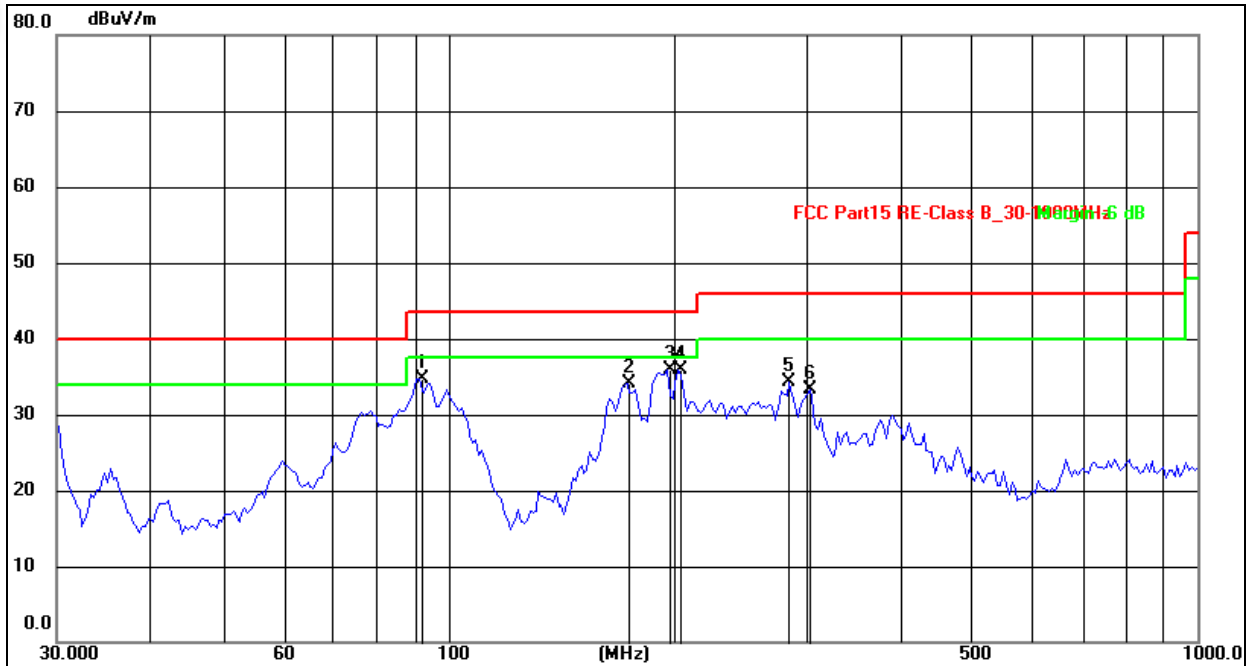
Margin = Emission Level- Limit.





30MHz-1GHz

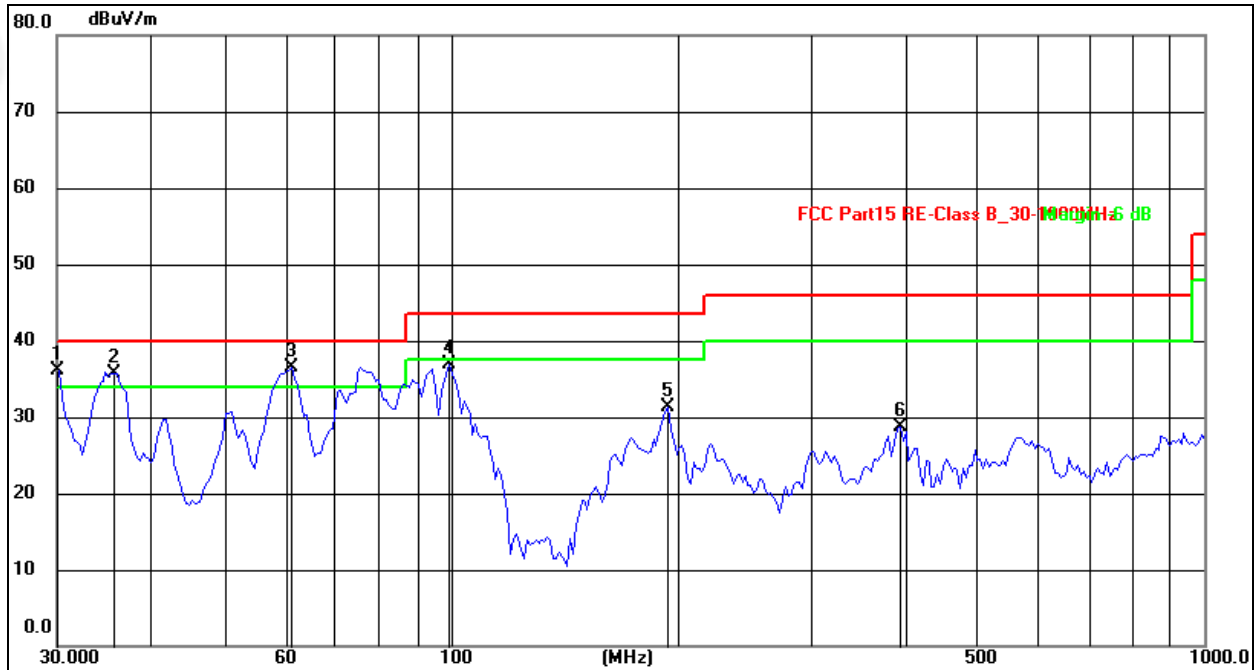
Temperature:	26°C	Relative Humidity:	54%
Pressure:	101 kPa	Polarization:	Horizontal
Test Voltage:	AC 120V/60Hz		



No.	Frequency (MHz)	Reading (dBuV)	Factor (dB/m)	Level (dBuV/m)	Limit (dBuV/m)	Margin (dB)	Detector
1	91.3346	54.86	-20.15	34.71	43.50	-8.79	QP
2	173.2051	52.02	-18.01	34.01	43.50	-9.49	QP
3	195.8220	55.44	-19.57	35.87	43.50	-7.63	QP
4	202.8104	55.53	-19.68	35.85	43.50	-7.65	QP
5	285.4768	51.24	-16.93	34.31	46.00	-11.69	QP
6	303.5437	52.33	-18.97	33.36	46.00	-12.64	QP



Temperature:	26°C	Relative Humidity:	54%
Pressure:	101kPa	Polarization:	Vertical
Test Voltage:	AC 120V/60Hz		



No.	Frequency (MHz)	Reading (dBuV)	Factor (dB/m)	Level (dBuV/m)	Limit (dBuV/m)	Margin (dB)	Detector
1	30.2641	54.57	-18.40	36.17	40.00	-3.83	QP
2	35.7490	53.29	-17.49	35.80	40.00	-4.20	QP
3	61.5618	54.90	-18.48	36.42	40.00	-3.58	QP
4	99.7027	58.11	-21.23	36.88	43.50	-6.62	QP
5	194.1128	52.76	-21.40	31.36	43.50	-12.14	QP
6	394.8545	45.97	-17.20	28.77	46.00	-17.23	QP

Remarks:

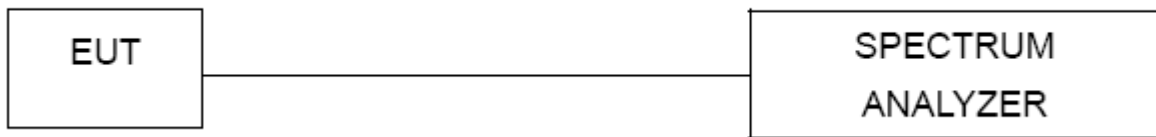
- 1.Final Level =Receiver Read level + Antenna Factor + Cable Loss – Preamplifier Factor
- 2.The emission levels of other frequencies are very lower than the limit and not show in test report.



## 6. BANDWIDTH TEST

1. Set RBW = 1 kHz.
2. Set the video bandwidth (VBW)  $\geq 3 \times$  RBW.
3. Detector = Peak.
4. Trace mode = max hold.
5. Sweep = auto couple.
6. Allow the trace to stabilize.
7. Measure the maximum width of the emission that is constrained by the frequencies associated with the two outermost amplitude points (upper and lower frequencies) that are attenuated by 20 dB relative to the maximum level measured in the fundamental emission.

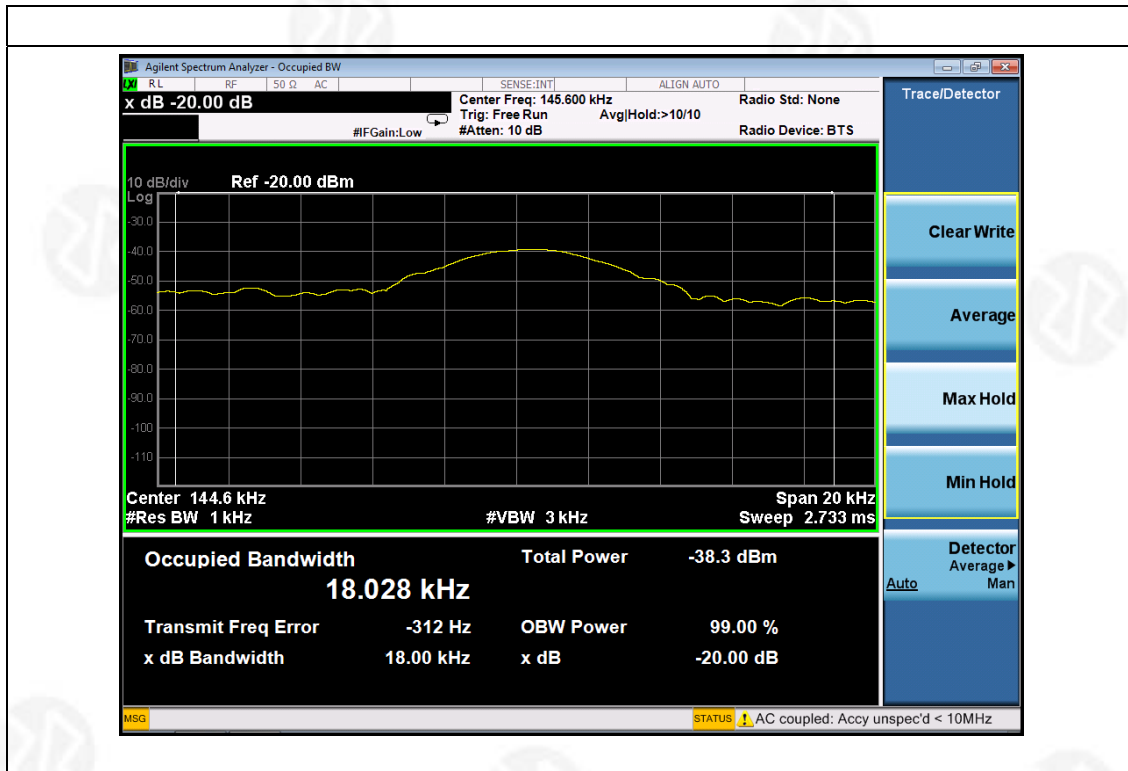
### TEST SETUP





Temperature:	26 °C	Relative Humidity:	54%
Pressure:	101kPa		

Frequency (KHz)	20dB bandwidth (KHz)	99% bandwidth (KHz)	Result
144.6	18.00	18.028	Pass





## 7. TEST SETUP PHOTO

Reference to the appendix I for details.

## 8. EUT CONSTRUCTIONAL DETAILS

Reference to the appendix II for details.

\*\*\*\*\* END OF REPORT \*\*\*\*\*