

CUSTOMER

KFT-107

ROHS

## SPECIFICATION FOR APPROVAL

MODEL NO. : RC 25X2.5-10MM-8.1uH-01

KEFEITE NO. : 79-P1(R25X2.5)-0.08X24PX14TS--10MM-8.1uH

CUSTOMER P/N: T1

DATE : 2022/08/15

REV : A1

✳️ Product complies with: RoHS PAHS 6P REACH

PLEASE RETURN TO US COPY OF "SPECIFICATION FOR APPROVAL" WITH YOUR APPROVED SIGNATURES.

	"√"	CUSTOMER'S SIGNATURE	NOTE
FULL APPROVED			
CONDITIONAL APPROVED			
REJECTED			

### SHENZHEN KEFEITE ELELECTRONICS CO., LTD

FactoryAddress:2/F,New era industrial area C Building  
Guantiancommunity, Shenzhen.

TEL:86-755-27352660

FAX:86-755-27352742

HTTP:WWW.Kefeite.net

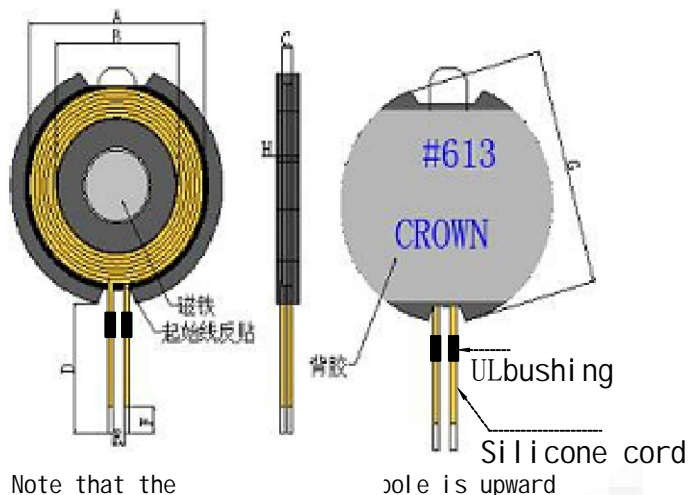




# SHENZHEN KEFEITE ELECTRONICS CO., LTD

CUSTOMER:	KFT-79	VERSION:	A1
CUSTOMER NO:	T1 watch coil	PAGE:	3/4
KFT P/N:	79-P1 (R25X2.5)-0.08X24PX14TS--10MM-8.1uH	Date:	2022/08/15

## 1. CONFIGURATION&DIMENSIONS:



A	20.9 ± 1.0mm
B	14.9 ± 0.5mm
C	1.1 ± 0.2mm
D	10.0 ± 1.5mm
E	3.0ref
F	2~4mm
G	24.5 ± 1.0mm
H	2.8MAX (不含离型纸)

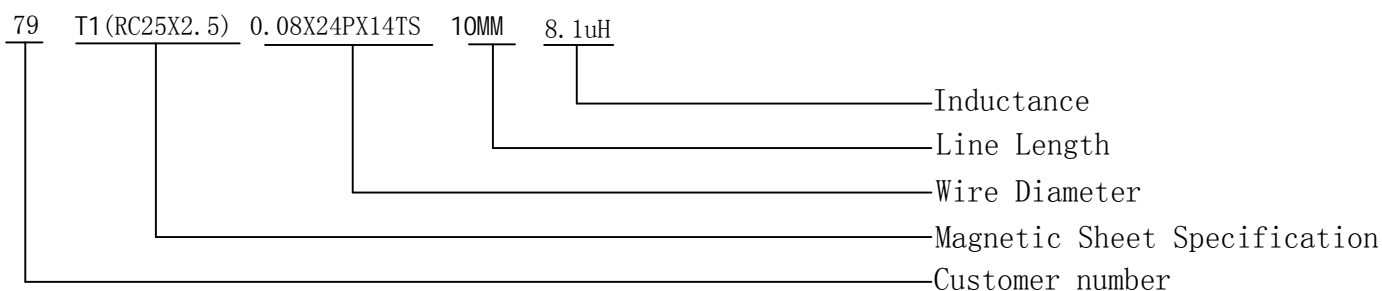
## 2. ELECTRICAL CHARACTER:

atm	Specifications	Test conditions	Test instrument
Inductance	4.8uH ± 5%	100KHZ/1.0V	CH1062
Inductance	8.1uH ± 5%	100KHZ/1.0V	CH1062
(RDC)	163mΩ MAX	25℃	HG2512

## 3. SCHEMATIC



## 4. PART NUMBERING: PRODUCT IDENTIFICATION



DRAWN BY:	CHECKED BY:	Q. C DEPT:	APPROVED BY:
Hu Guoqi ang	Zhou Mi ao		Wan Jianjun



## SHENZHEN KEFEITE ELECTRONICS CO., LTD

CUSTOMER:	KFT-79	VERSION:	A1
CUSTOMER NO:	T1 watch coil	PAGE:	4/4
KFT P/N:	79-P1(R25X2.5)-0.08X24PX14TS--10MM-8.1uH	Date:	2022/08/15

### 5. MATERIAL LIST:

NO	ITEM	DESCRIPTION	RATING	SUPPLIERS	UL NO.	REMARK
1	WIRE	热风线	155°C	SHANTOU SHENGANG ELECTRICAL INDUSTRIAL CO., LTD	E239508	
2	SOLDER	99.3/0.7		SHENZHEN Hong Xing Wei solder Limited		
3	CORE	25/7.7/2.5		Changxing BO Cheng Electronics CO., LTD		
4	EPOXY	1603HFR-HS		DONGBU FINE CHEMICAL CO LTD		
5	Strong Magnet	7.8X2.5>3500GS		DONGBU FINE CHEMICAL CO LTD		

### 6. GENERAL SPECIFICATION:

- 1 Tested at 1.0KHZ/0.25Vrms, 0 Adc.  
Average current for 40°C temperature rise from 25°C.
- 2 Saturation current (Isat):  
Inductance drop: 10% typ at Isat.
- 3 Heat rating current (Irms):  
 $L @ Irms = \Delta T \leq 40^\circ C$ .
- 4 Electrical specifications at 25°C
- 5 Storage Temp: -40°C.... +85°C
- 6 Operating Temp: -40°C.... +85°C

DRAWN BY:	CHECKED BY:	Q. C DEPT:	APPROVED BY:
Hu Guoqi ang	Zhou Mi ao		Wan Ji an jun 