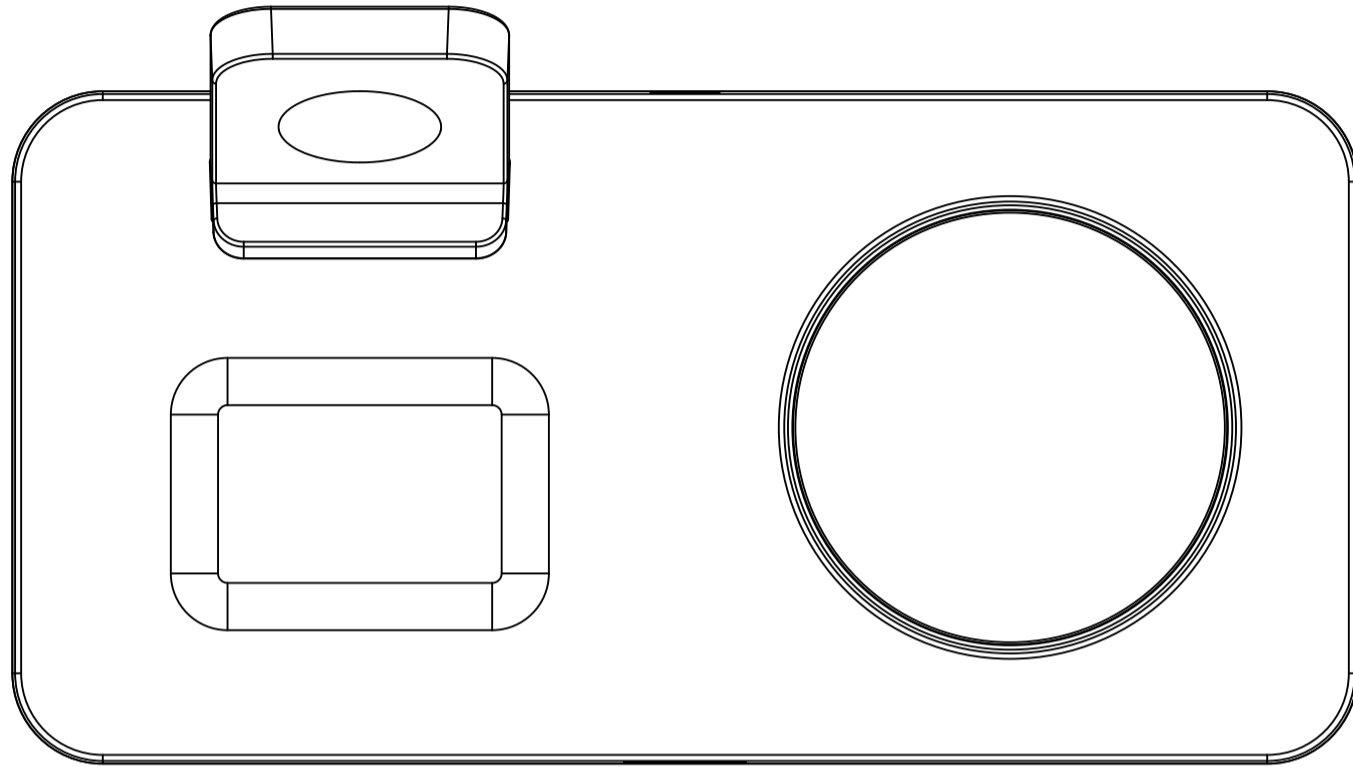
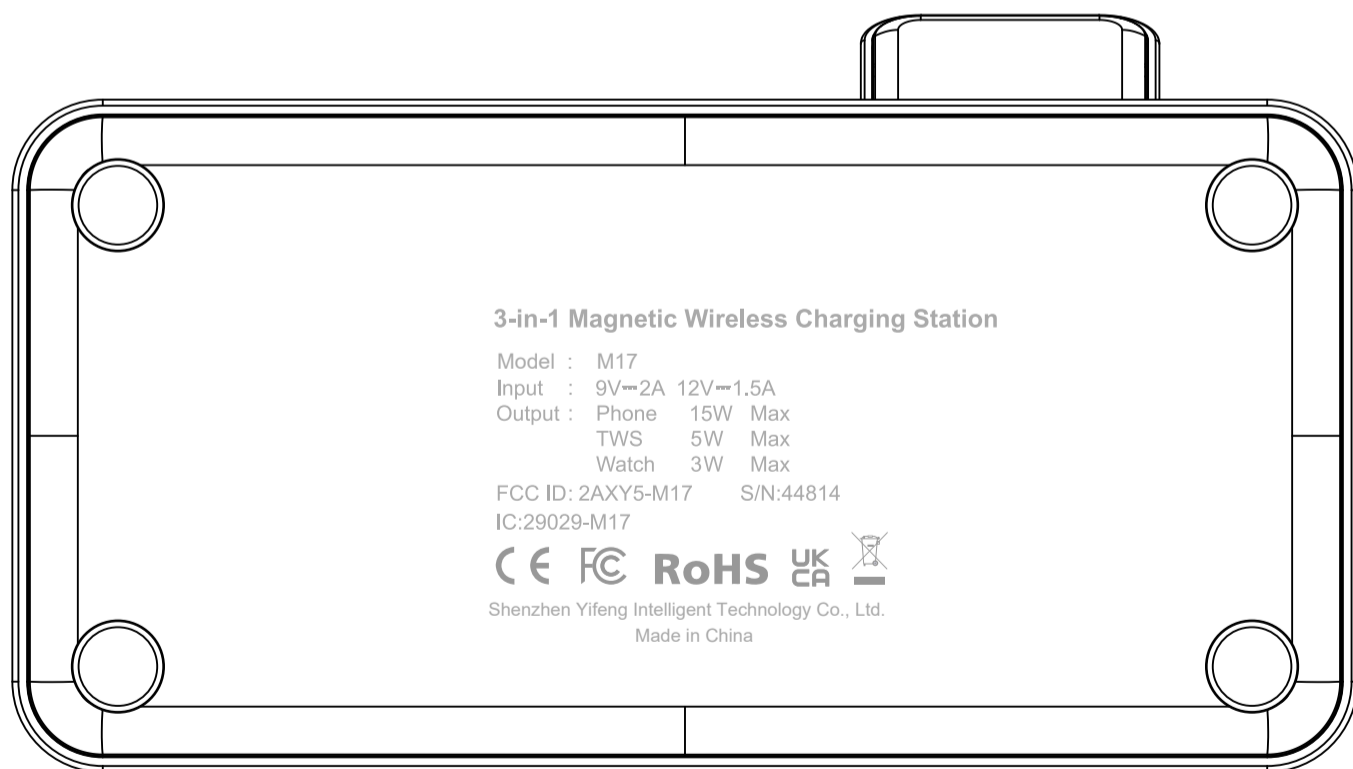


1.1 丝印文件

面盖丝印



底部丝印



注意方向识别
底壳字符丝印

3-in-1 Magnetic Wireless Charging Station
Model : M17
Input : 9V=2A 12V=1.5A
Output : Phone 15W Max
 TWS 5W Max
 Watch 3W Max
FCC ID: 2AXY5-M17 S/N:44814
IC:29029-M17
CE FC RoHS UK CA
Shenzhen Yifeng Intelligent Technology Co., Ltd.
Made in China

PANTONE Cool Gray 8C

字符丝印灰色



PANTONE Cool Gray 8 C