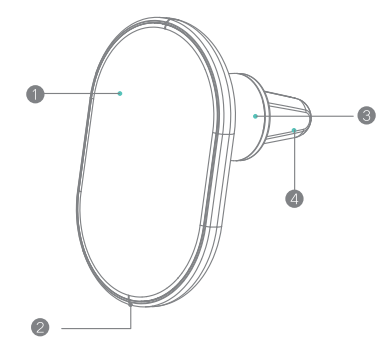
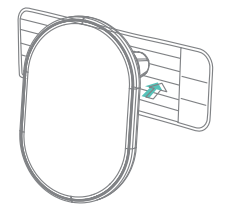
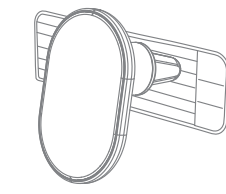
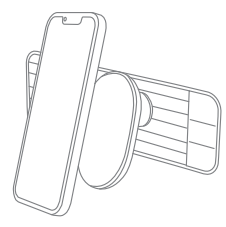
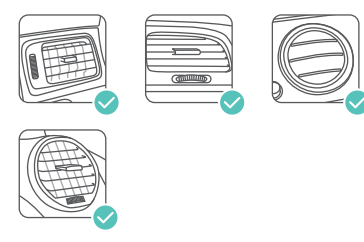



<p>M12</p> <p><b>Magnetic Wireless Car Charger</b></p> <p>User Manual</p>	<p><b>Product Overview</b></p>  <p>① Wireless Charging Area    ③ Rotating Shaft ② USB-C Port                ④ Clip</p>	<p><b>How to Use</b></p> <p>1. Insert the clip to the air vent.</p>  <p>2. Connect the product to power source via the provided USB-C cable.</p> 	<p>3. Put your iPhone on the wireless charging area, the process begins once you hear the "click" sound.</p>  <p><b>Types of Air Vents</b> Applicable to the following air vents:</p> 
---	---	---	--

<p>Inapplicable to moving circular vents:</p>  <p><b>Troubleshooting</b></p> <p><b>1. How to solve abnormal wireless charging issues?</b> The charger will detect and turn off the power automatically when metal foreign objects in the charging area; The product will resume charge when removing the object.</p> <p><b>2. Why does the wireless charger gets hot while charging?</b> Energy losses of electromagnetic conversion exist during charging, a part of them will transfer to heat. It is a normal phenomenon.</p> <p><b>3. What should be noted while charging?</b> Please disconnect power supply in time after fully charged the device to avoid continuous heating.</p>	<p><b>Notice</b></p> <ul style="list-style-type: none"> <li>This product is suitable for iPhones with both wireless charger and magnetic suction functions. If you need to charge with a case, it is recommended to use Apple's original magnetic phone case for an ideal user experience.</li> </ul> <p><b>Notes</b></p> <ul style="list-style-type: none"> <li>Do not put magnetic objects (such as clips, coins), or magnetic strip cards beside the charging area.</li> <li>Do not operate the product in the environments of high temperature, humidity or strong magnetic environments.</li> <li>Do not strike, throw or vibrate the product to avoid internal circuit board damage.</li> <li>Do not use unapproved or incompatible power adapter and charging cable, it may cause fire, explosion or other dangers.</li> </ul> <p><b>Specifications</b></p> <ul style="list-style-type: none"> <li>Input : 12V=1.5A 9V=2A</li> <li>Output Power: 7.5W Max</li> <li>Thickness of Air Vents Blades: 2-4mm</li> </ul>	<p><b>FCC Warning</b></p> <p>This device complies with part 15 of the FCC Rules. Operation is subject to the following two conditions: (1) This device may not cause harmful interference, and (2) this device must accept any interference received, including interference that may cause undesired operation.</p> <p>Any Changes or modifications not expressly approved by the party responsible for compliance could void the user's authority to operate the equipment.</p> <p>This equipment has been tested and found to comply with the limits for a Class B digital device, pursuant to part 15 of the FCC Rules. These limits are designed to provide reasonable protection against harmful interference in a residential installation. This equipment generates uses and can radiate radio frequency energy and, if not installed and used in accordance with the instructions, may cause harmful interference to radio communications. However, there is no guarantee that interference will not occur in a particular installation. If this equipment does cause harmful interference to radio or television reception, which can be determined by turning the equipment off and on, the user is encouraged to try to correct the interference by one or more of the following measures:</p> <ul style="list-style-type: none"> <li>Reorient or relocate the receiving antenna.</li> <li>Increase the separation between the equipment and receiver.</li> <li>Connect the equipment into an outlet on a circuit different from that to which the receiver is connected.</li> <li>Consult the dealer or an experienced radio/TV technician for help.</li> </ul> <p>FCC RF exposure statement: The equipment complies with FCC radiation exposure limits set forth for an uncontrolled environment. This equipment should be installed and operated with minimum distance between 20cm the radiator and your body.</p> <p>This device was tested for operations. To comply with RF exposure requirements, a minimum separation distance of 20cm must be maintained between the user's body and the charger, including the</p>	<p>antenna. Third-party belt-clips, holsters, and similar accessories used by this device should not contain any metallic components. Body-worn accessories that do not meet these requirements may not comply with RF exposure requirements and should be avoided. Use only the supplied or an approved antenna.</p> <p>The device is in compliance with the essential requirements and other relevant provisions of the UK Radio Equipment Regulations SI 2017:1206 (as amended).</p> <p>1. The device complies with RF specifications when the device used at 20cm from your body.</p>
---	---	---	---