

After-sales Service

Thank you for purchasing Nicefeel oral irrigator.
Please read the following precautions:

1. Please ask the seller for a valid sales document as the basis for the warranty when purchasing the oral irrigator.
2. The product is covered by free maintenance for failure due to non-human factors within one year according to relevant state regulations (subject to the date on the purchase invoice date);
- 3: Costs and service fees will be charged as appropriate during the warranty period in the following cases:
 - (1). Damage caused by improper use, maintenance and storage by the consumers;
 - (2). Damage caused by dismantling of unauthorized repairer;
 - (3). No relevant sales document and it has been over one year after the production date;
 - (4). Damage caused by commercial use;
 - (5). Damage caused by force majeure (earthquakes, fires, etc.).
4. Please fill in the form below with care, and send it together with the product to be repaired to the service site designated by the manufacturer.

Warranty Record

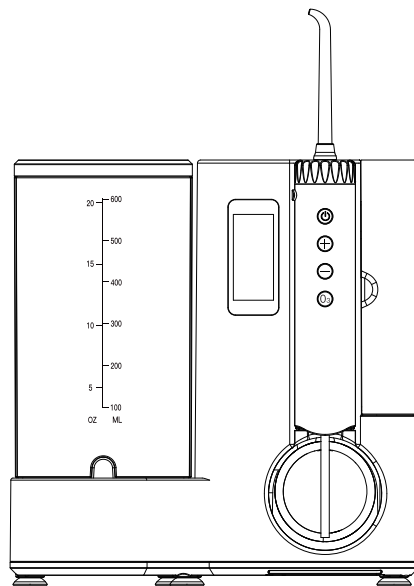
Customer name		Tel	
Product model		Product color	
Date of purchase		Where the product is purchased (seller)	
Maintenance date			
Mailing address			

Shenzhen Fly Cat Electric Appliance Co., Ltd.

Address: Building 4, Xianyuxing Industrial Park, Gonghe Community,
Shajing Street, Baoan District, Shenzhen, China
Tel: 0755-27298495
Fax: 0755-272733465
Website: www.fly-cat.com.cn

Nicefeel®

Oral Irrigator FC3680 Series Instruction Manual



Important Safety Precautions

Basic safety precautions should be followed when using electrical products, especially when there are children in the house.

Please read all the outlined instructions before using

Dangers

To reduce the risk of electric shock, please pay attention to the following items:

- DO NOT handle the charger with wet hands.
- DO NOT immerse the product in water or any other liquid.
- DO NOT use the product while taking a bath.
- DO NOT place or store the product in a place where it may fall into the bathtub, shower or sink.
- DO NOT pick up the product falling into the water immediately, make sure it is unplugged immediately before taking any other action.
- Check whether the adaptor is damaged before using the product for the first time after purchase.

①

In order to reduce the risk of ambustion, electric shock, fire, serious injury or damage:

- DO NOT plug the product into an adapter that does not meet the specified voltage.
- DO NOT use the product if the cable or plug is broken. If it does not work normally or is immersed in any liquid, please contact your local dealer.
- DO NOT lead the water flow under your tongue, or into your ear, nose or other minor organs. This product is capable of producing pressure that may cause serious damage to these organs. Please refer to the operating instructions for proper use.
- Please follow the instructions or recommendations from dental professionals when using the product.
- A small amount of bleeding is normal when using the product for the first time. If the bleeding is serious, stop using and ask your dentist for advice.
- Fill the reservoir with water or other solutions recommended by the dental professionals.
- DO NOT drop or insert any foreign objects into the product.
- Keep chargers and wires away from hot surfaces.
- Use mouthwash or rinse solution containing iodine or disinfectant.
- DO NOT use the product when wearing dental accessories, which should be remove before use.
- DO NOT use the product if there is an open wound on the tongue or in the mouth.
- If your doctor recommends you to take antibiotics before surgery, please consult a dentist before using the product or any other oral hygiene adjuvant.
- For household use only. DO NOT use the product outdoor.
- Children and individuals with special needs should be closely guided and supervised for using the product properly.
- Children should be supervised to ensure proper use of the product.

Please keep this User Manual!

②

Thank you for purchasing our Oral Irrigator!!

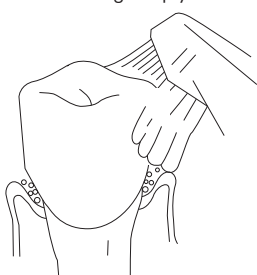
Thank you for purchasing our oral irrigator!

Welcome to use Nicefeel oral irrigator, which will give you healthier teeth and brighter smile!

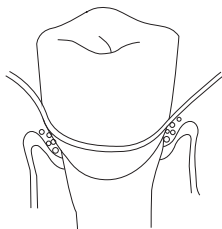
Cleaning teeth with pulse water flow, the oral irrigator can remove harmful bacteria hidden deep in the crevices between teeth and below the gum line, where cannot be cleaned by brushing teeth only.

Traditional oral care:

Traditional toothbrushes cannot remove food debris and harmful bacteria hiding deeply.

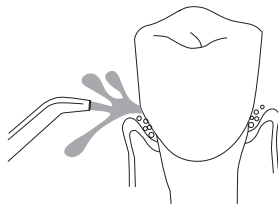


They can only reach a limited part below the gum line.



Nicefeel Oral Irrigator

Remove harmful bacteria hiding deep in the crevices between teeth and below the gum line.



③

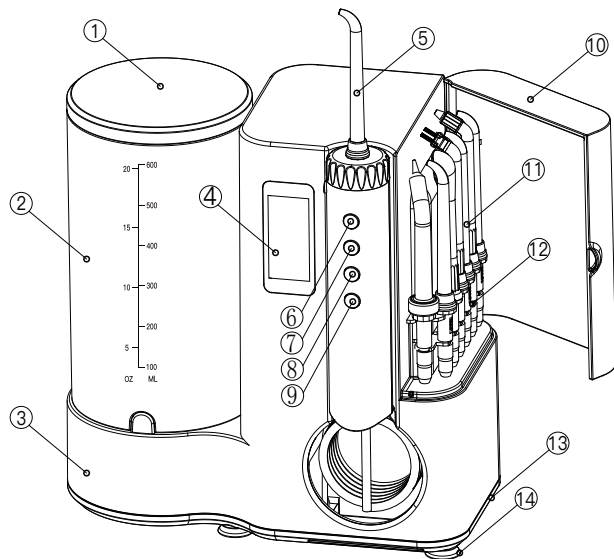
④

Table of Content

Important Safety Precautions-----	1
Contents-----	4
Product Structure-----	5
Function nozzle-----	6
Using Instruction for Product-----	7
Using Instruction for Professional Nozzles-----	11
Cleaning and Maintenance-----	13
Common Failures and Handling Methods-----	14

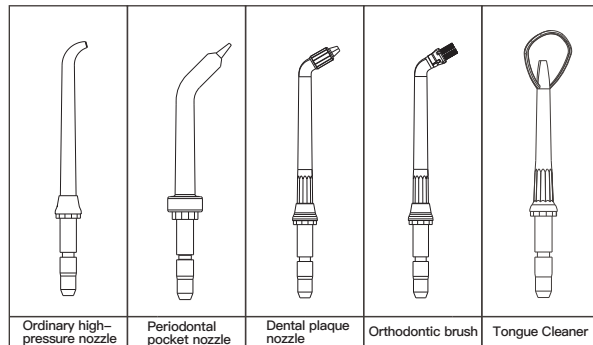
The Company reserves the right of final interpretation for any error in or misunderstanding of the content of this User Manual; any product or data update will be incorporated into the new version without prior notice; and in case of any change in the appearance and color of the product, the product inside the package shall prevail.

Product Structure



- | | | |
|----------------------|-------------------------|--|
| 1. Water Tank Cover | 2. Water Tank | 3. Body |
| 4. Display | 5. High-pressure Nozzle | 6. Power On/Off |
| 7. Pressure Up | 8. Pressure Down | 9. Switch between super oxygen water and natural water |
| 10. Nozzle Box Cover | 11. Tips | 12. Accessories Support |
| 13. Base | 14. Anti-slip Sucker | |

⑤



* Ordinary high-pressure nozzle: comprising three colored rings for three persons. (Family Pack)

* For the using instructions of other four special nozzles (tongue scraper, periodontal pocket nozzle, orthodontic brush and dental plaque nozzle), please refer to pages 11-12 of the Manual.

Gum bleeding is normal due to different tolerance when using the water flosser for the first time. Please feel free to use!

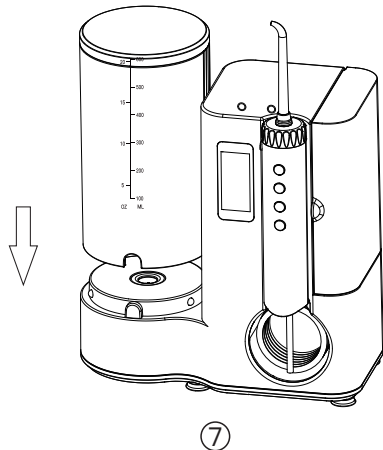
⑥

How to Use

Plug the wire into the socket. If the socket is controlled with a switch on the wall, make sure it is on. The product handle has a power-on/off button, pause button, two pressure control buttons and a switch between super oxygen water and natural water on the front, of which the pressure control button can be used to control the water pressure. After plugging-in, the screen in the center of the body will show the operation status; press the power-on button, and then the screen will show ten levels from 01 to 10. The user may select a proper level to control the water pressure. The user may select the super oxygen water (for disinfection) by pressing the switch between super oxygen water and natural water. Set a 3-minute operation from start to halt (note: The product needs to restart after the timer is over).

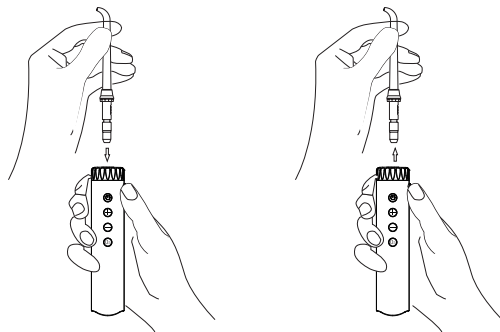
Prepare the Water Tank

Take off the water tank, fill it with warm water, put on and tightly press the water tank cover. The sound of cracking means the installation is complete. The tank surface has volume marks in the unit of OZ. and ML.



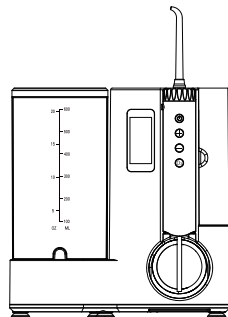
Insert and remove the nozzle

Insert the nozzle into the middle of the knob at the top of the handle of the water flosser. If the nozzle is locked in place, the colored ring shall be flush with the end of the knob. To remove the brush from the handle, please press the nozzle eject button and pull the nozzle out of the handle.



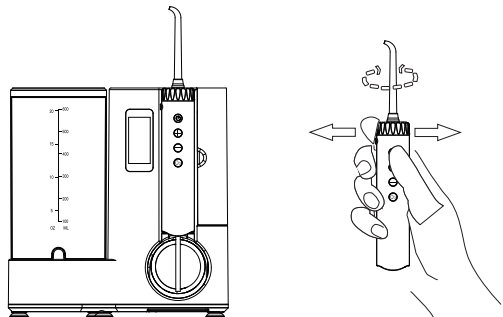
Adjust pressure settings

When using the product for the first time, please adjust the pressure gear on the handle of the product to the minimum value (the gear displayed on the body can be adjusted in gears 01-10). Start from the lowest gear, turn on the switch on the handle, and gradually increase the pressure after the oral cavity adapts to it. You can also increase the pressure under the guidance of a professional dentist.



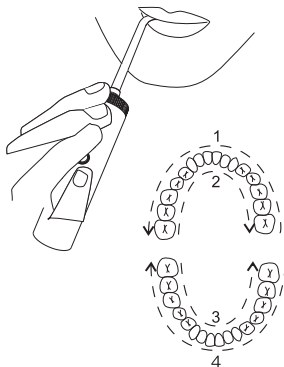
Using Oral Irrigator

Lean over the sink and place the injector head into the mouth. Align the nozzle to your teeth. Turn on the pushing switch on the handle to adjust the water pressure to the desired value. Control the direction of water flow by turning the knob on the top of the handle.



Use Tips

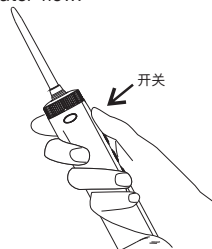
Adjust the water jet flow to 90 degree to the gum line. Close your lips to prevent the water from flowing sideways while allowing the water in your mouth to flow freely into the sink. For best effect, start cleaning from the molar teeth (back teeth) towards the front teeth. Slide the injector head along the gum line with short pauses between teeth. DO NOT stop until the areas around the gums and among the teeth are cleaned.



9

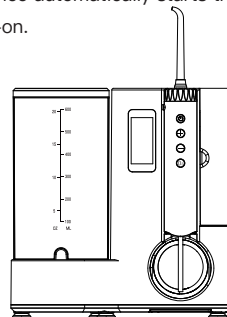
Pause Control

You can turn off the oral irrigator at any time and then put the handle back on to pause the water flow.



Completion

Turn off the device, pour out the residual liquid in the water tank and unplug the device. The device automatically starts the previous configuration after power-on.



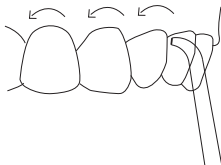
Note: The device bottom has a drain hole for the drainage of the water tank and main body. It is not a water leakage.

10

Instructions for the Jet Tip

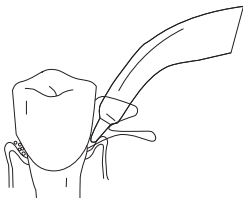
High-pressure tip

360° washing and cleaning covers the area that normal toothbrush cannot reach. It is more effective than dental floss and healthier for your gum.



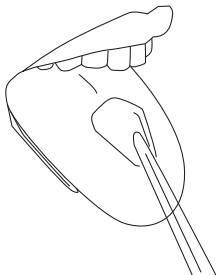
Periodontal pocket tip

It can inject water or antibacterial liquid to the specific part under your gum. Please bend on the basin, reach the soft tip to your teeth at an angle of 45°, and then slightly put the tip in the alveolar socket under the gum line. Turn on the device, set the minimum pressure level, slightly put the tip to the tooth slit and start cleaning teeth along the gum line. Continue moving along the gum line until the cleaning is complete.



Tongue scraper

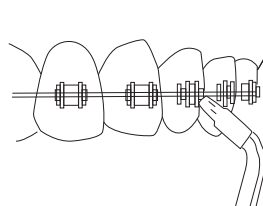
Bend on the sink. Put the tongue scraper on your tongue and turn on the oral irrigator (start by the minimum level and make gradual adjustment). Slightly put the scraper at the center of the tongue back and then scrape forward.



11

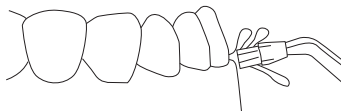
Orthodontic tip

The professional orthodontic tip aims to clean the parts around the braces and those cannot be reached by a dental kit. Bend on the sink and clean with the tip to wash off the residues on your teeth.



Dental plaque tip

Aim at your gum with the water flow at a 90° angle, slightly close your lips to avoid splashing and make sure the water flows in the sink. Start from the back of molar and then to the front. Put the tip close to your teeth so that the brush can slightly touch your teeth. Keep the tip slowly moving along the gum, and pause between teeth for a while to make sure the water flows through. Repeat the same operations on each side of teeth until all the teeth are cleaned.



12

Cleaning

If any special liquid will be filled in the water tank, please clean the tank in advance. Inject some warm water in the water tank.

Point the jet tip to the sink. Turn on the device until the tank is empty. It will help avoid tip blockage and prolong the service life of the device.

The device shall be cleaned with a soft cloth and neutral wear-free detergent.

Do remember to unplug the device before cleaning.

Take off the water tank and start operating the oral irrigator until no residue can be found in it.

Maintenance

1. Unplug the device after cleaning is completed, place the water tank upside down on a plate until it is totally dry, and then keep it with the clean body at a cool and dry place. It shall be kept in a package or appropriate paper box in case of long-term storage.

2. You may consult the distributor or call us for relevant maintenance methods in case of any malfunction.

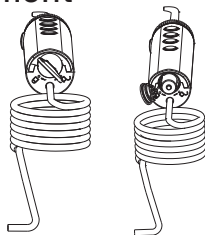
3. Please do not dismantle or try to fix the product; otherwise, we are not responsible for the maintenance of any fault arising therefrom.

4. If the wire is damaged, please seek help at the designated maintenance point or qualified repair shops. Do not replace the charger wire or plug by yourself.

5. Where the warranty period expires, we are still sincere at your service, but a proper amount of material and service fee will be collected.

Handle Battery Replacement

If the battery needs to be replaced, please insert the battery key to the hole on the battery lock and switch to unlock when the battery ejects. After battery replacement, the memory function will be reset, meaning that it will automatically return to the last configuration. Please take out the battery if it will not be used for a long period in order to avoid battery leakage that damages the device.



Common Failures and Handling Methods

Phenomenon	Reason	Handling Method
Leakage between the nozzle or the tongue cleaner and the handle knob	The brush does not fit well with the handle	Remove the brush and insert it well
Cracking of periodontal pocket brush	The brush is seriously worn	Replace a new brush
Leakage on the hose connecting the base to the handle of the oral irrigator	Hose damage	Replace it by yourself or contact dealer for after sale service
Water tank leaking	The spring is not installed or is installed at incorrect position	Install the spring in the correct position, or contact the dealer for repair
Pressure is not enough	Improper installation of the water tank	Reinstall the water tank and press on the water tank firmly
Device cannot start	Motor does not run	Confirm whether there is power input, or contact the seller for repair
Buttons on the handle cannot be used	Check whether the battery fails or is assembled incorrectly	Assemble or replace a new battery

We guarantee that this product is free of defects in materials and processes, and the warranty period is one year from the date of purchase. Please keep your receipt as proof of the date of purchase. If the product is not abused, misused, altered or damaged after purchase but used in accordance with the User Instruction, we will replace any defective part(s) of the product at our sole discretion. This Limited Warranty does not cover the attachments such as standard nozzles, tongue scrapers, periodontal pocket brushes, orthodontic nozzles or dental plaque nozzles. This warranty gives the user a clear legal rights, and you may also have other appropriate rights depending on country of residence.

Thank you again for purchasing Nicefeel Oral Irrigator!

FCC Warning

This device complies with part 15 of the FCC Rules. Operation is subject to the following two conditions:

(1) This device may not cause harmful interference, and (2) this device must accept any interference received, including interference that may cause undesired operation.

Any Changes or modifications not expressly approved by the party responsible for compliance could void the user's authority to operate the equipment.

Note: This equipment has been tested and found to comply with the limits for a Class B digital device, pursuant to part 15 of the FCC Rules. These limits are designed to provide reasonable protection against harmful interference in a residential installation. This equipment generates uses and can radiate radio frequency energy and, if not installed and used in accordance with the instructions, may cause harmful interference to radio communications. However, there is no guarantee that interference will not occur in a particular installation. If this equipment does cause harmful interference to radio or television reception, which can be determined by turning the equipment off and on, the user is encouraged to try to correct the interference by one or more of the following measures:

- ▶ -Reorient or relocate the receiving antenna.
- ▶ -Increase the separation between the equipment and receiver.
- ▶ -Connect the equipment into an outlet on a circuit different from that to which the receiver is connected.
- ▶ -Consult the dealer or an experienced radio/TV technician for help.

The device has been evaluated to meet general RF exposure requirement. The device can be used in portable exposure condition without restriction.