



Test Report

Report No.: E202401190153-01-1

Customer: TowerIQ,Inc.
Address: 13723 Riverport Drive C/O Potter Electric Signal Company Saint Louis, MO 63043
Sample Name: Public safety signal booster
Sample Model: Guardian UHF 5W Class A
Reccive Sample Date: Jan 22, 2024
Test Date: Jan 24, 2024~ Feb 22, 2024
Reference Document: FCC PART 90— PRIVATE LAND MOBILE RADIO SERVICES
Test Result: PASS
FCC ID: 2AXVJGUARD-UHFA

Preparedby: zheng Qin Reviewed by: Nie chuanye Approved by: Wang Hui
Zheng Qin Nie Chuanye Wang Hui

GRG METROLOGY & TEST(CHENGDU)CO.,LTD

Issued Date March 19,2024



GRG METROLOGY & TEST(CHENGDU)CO.,LTD.

Address: Park,No.9,Wu Ke East 3rd Road,WuHou District,ChengDu,SiChuan,610045,People's Republic of China

Tel: (+86) 028-86496437 FAX: (+86) 028-86496423 Web: <http://www.grgtest.com>

Statement

1. The report is invalid without "special seal for inspection and testing"; some copies are invalid; The report is invalid if it is altered or missing; The report is invalid without the signature of the person who prepared, reviewed and approved it.
2. The sample information is provided by the client and responsible for its authenticity; The content of the report is only valid for the samples sent this time.
3. When there are reports in both Chinese and English, the Chinese version will prevail when the language problems are inconsistent.
4. If there is any objection concerning the report, please inform us within 15 days from the date of receiving the report.
5. Without the agreement of the laboratory, the client is not authorized to use the test results for unapproved propaganda.
6. The test report without CMA approval mark is only used for scientific research, teaching, internal quality control and other purposes.

————— **The following blanks** —————

TABLE OF CONTENTS

1. Applicant information.....	5
1.1. Client information.....	5
1.2. Manufacturer and Factory.....	5
2. General description of EUT.....	5
2.1. Basic description of EUT.....	5
2.2. Test signal modulation description.....	6
2.2.1. Analog signals.....	6
2.2.2. Digital signals.....	6
2.3. Signal Booster control process.....	7
2.3.1. System block.....	7
2.3.2. Signal control process.....	7
2.4. Description of Booster connection port.....	8
3. Related documents.....	9
4. Test result summary.....	10
5. About Signal Booster.....	11
5.1. KDB 935210 D02 APPENDIX A3.1.....	11
5.2. FCC part 90.219 (a) Definitions.....	11
6. Test modes.....	12
7. Laboratory.....	13
8. Measurements uncertainty.....	13
9. Instruments used during test.....	14
10. Radio technical requirement specification.....	15
10.1. Test Frequencies.....	15
10.1.1. Requirements.....	15
10.1.2. Result.....	17
10.2. Input Signals.....	18
10.2.1. Requirements.....	18
10.2.2. Result.....	18
10.2.3. Input Signals screenshot.....	19
10.3. AGC Threshold.....	34
10.3.1. Requirements.....	34
10.3.2. Test configuration.....	34
10.3.3. Test procedures.....	35
10.3.4. Test results.....	36
10.4. Out-of-band rejection.....	38
10.4.1. Requirements.....	38
10.4.2. Test configuration.....	38
10.4.3. Test procedures.....	39
10.4.4. Test results.....	40
10.4.5. Test screenshot.....	41
10.5. Input VS output Comparison.....	42
10.5.1. Requirements.....	42

- 10.5.2. Test configuration 47
- 10.5.3. Test procedures 48
- 10.5.4. Test results 49
- 10.5.5. Test screenshot..... 64
- 10.6. Mean power and amplifier/booster gain 144
 - 10.6.1. Requirements 144
 - 10.6.2. Test configuration 144
 - 10.6.3. Test procedures 145
 - 10.6.4. Test results 146
- 10.7. Noise figure 152
 - 10.7.1. Requirements 152
 - 10.7.2. Test configuration 152
 - 10.7.3. Test procedures 154
 - 10.7.4. Test results 155
 - 10.7.5. Test screenshot..... 156
- 10.8. Out-of-band/out-of-block emissions 158
 - 10.8.1. Requirements 158
 - 10.8.2. Test configuration 159
 - 10.8.3. Test procedures 160
 - 10.8.4. Test results 161
 - 10.8.5. Test screenshot..... 164
- 10.9. Conducted spurious emissions 182
 - 10.9.1. Limit 182
 - 10.9.2. Test configuration 183
 - 10.9.3. Test procedures 184
 - 10.9.4. Test results 185
 - 10.9.5. Test screenshot..... 186
- 10.10. Frequency stability 192
 - 10.10.1. Limit 192
 - 10.10.2. Test configuration 193
 - 10.10.3. Test procedures 194
 - 10.10.4. Test results 195
- 10.11. Radiated spurious emissions 197
 - 10.11.1. Requirements 197
 - 10.11.2. Test configuration 199
 - 10.11.3. Test procedures 200
 - 10.11.4. Test results 202
- 11. APPENDIX A. PHOTOGRAPH OF THE TEST CONNECTION DIAGRAM..... 206
- 12. APPENDIX B. PHOTOGRAPHS OF EUT 209
 - 12.1. External photos 209

————— The following blanks —————

1. Applicant information

1.1. Client information

Name: TowerIQ, Inc.
Address: 13723 Riverport Drive C/O Potter Electric Signal Company Saint Louis, MO 63043

1.2. Manufacturer and Factory

Name: TowerIQ, Inc. (Shenzhen Office)
Address: B511, Building B, Huashengtai Technology Building, No 36 Hangkong Road, Sanwei Community Hangcheng Street, Baoan District, Shenzhen
Factory: TowerIQ, Inc.
Address: 13723 Riverport Drive C/O Potter Electric Signal Company Saint Louis, MO 63043

2. General description of EUT

2.1. Basic description of EUT

Product Name: Public safety signal booster
Product Model: Guardian UHF 5W Class A
Trade Name: TowerIQ
Power Supply: Typical DC input power: DC +24V
Frequency Band: Downlink: 450MHz ~ 512MHz, Uplink: 450MHz ~ 512MHz
Nominal Output Power: Downlink: 36dBm \pm 1dB (center frequency);
Uplink: 27dBm \pm 1dB (center frequency)
Nominal Gain: Downlink: 90 \pm 2dB (center frequency), Uplink: 90 \pm 2dB (center frequency)
EUT Operating Temperature: -20°C to +50°C
Operating Humidity: 5% to 95%
Antenna Type: N/A

NOTE 1: The device is a Narrowband device, which belongs to Class A signal booster.

NOTE 2: The device is an outdoor device, the device does not provide antenna by Manufacturer's statement, but it is required that the Antenna gain shall not exceed 0 dBi for Downlink and 9dBi for Uplink when the project is used by Manufacturer's statement.

NOTE 3: According to the product requirements, this device can adjust the downlink output power to 2.5W through software, but this verification will only perform a 5W test device.

————— The following blanks —————

2.2. Test signal modulation description

According to FCC PART 2.202 (g), Table of necessary bandwidths follow:

2.2.1. Analog signals

Emission Designator	Description	Modulation type	M (modulation Freq, kHz)	R (Rate, baud)	D (Deviation, kHz)	K (numeric constant)	S (Symbols)	Bandwidth Calculation	Necessary Bandwidth
4K00F1E	Narrowband Analog FM Voice	FM	1.0	—	1	1.0	—	$B_n=2M+2DK$	4.0
11K0F3E	Narrowband Analog FM Voice	FM	3.0	—	2.5	1.0	—	$B_n=2M+2DK$	11.0
16K0F3E	Wideband Analog FM Voice	FM	3.0	—	5.0	1.0	—	$B_n=2M+2DK$	16.0

2.2.2. Digital signals

Emission Designator	Description	Modulation type	M (modulation Freq, kHz)	R (Rate, baud)	D (Deviation, kHz)	K (numeric constant)	S (Symbols)	Bandwidth Calculation	Necessary Bandwidth
8K10F1E	P25 Phase I C4FM Voice	4FSK	—	9600	1.8	0.916	4	$B_n=(R/\log_2S)+2DK$	8.1
8K10F1D	P25 Phase I C4FM Data	4FSK	—	9600	1.8	0.916	4		8.1
8K10F1W	P25 Phase II H-CPM Voice/Data	4FSK	—	9600	1.8	0.916	4		8.1
9K80F1E	P25 Phase II H-DQPSK Voice	QPSK	—	12000	—	0.817	4	$B_n=2RK/\log_2S$	9.8
9K80F1D	P25 Phase II H-DQPSK Data	QPSK	—	12000	—	0.817	4		9.8

NOTE: In the above test signal modes, the typical signal and the worst mode signal are used as representatives in this test. the specific test signal types are as follows:

Emission Designator	Description	Modulation type	M (modulation Freq, kHz)	R (Rate, baud)	D (Deviation, kHz)	K (numeric constant)	S (Symbols)	Bandwidth Calculation	Necessary Bandwidth
4K00F1E	Narrowband Analog FM Voice	FM	1.0	—	1	1.0	—	$B_n=2M+2DK$	4.0
11K0F3E	Narrowband Analog FM Voice	FM	3.0	—	2.5	1.0	—	$B_n=2M+2DK$	11.0
16K0F3E	Wideband Analog FM Voice	FM	3.0	—	5.0	1.0	—	$B_n=2M+2DK$	16.0
8K10F1D	P25 Phase I C4FM Data	4FSK	--	9600	1.8	0.916	4	$B_n=(R/\log_2S)+2DK$	8.1
9K80F1D	P25 Phase II H-DQPSK Data	QPSK	--	12000	—	0.817	4	$B_n=2RK/\log_2S$	9.8

———— The following blanks ————

2.3. Signal Booster control process

2.3.1. System block

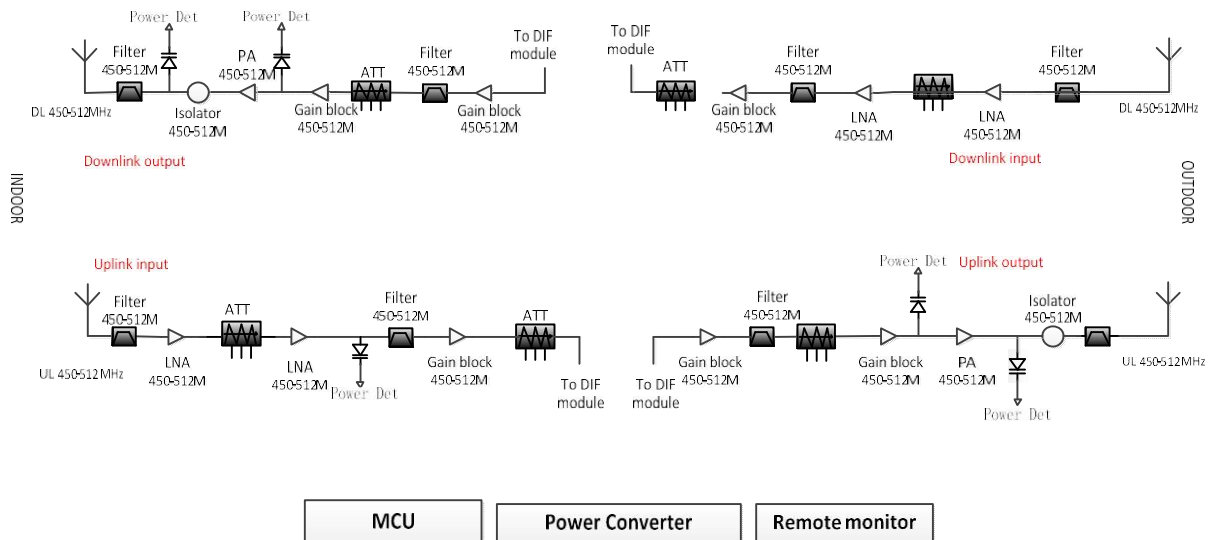


Figure 2.3-1 System block diagram

The block diagram is composed of the following units:

- Uplink input Power detector;
- Uplink output Power detector;
- Uplink PA switch integrated in PA;
- Downlink input Power detector;
- Downlink PA switch integrated in PA, and so on;

2.3.2. Signal control process

Above is the system block diagram, this system can enhance mobile communication signal. In the downlink, the BTS signals are received by donor antenna of the booster. After the duplexer, the signals are sent to the LNA module for pre-amplification and digital RF integrated module for digital filtering and frequency conversion.

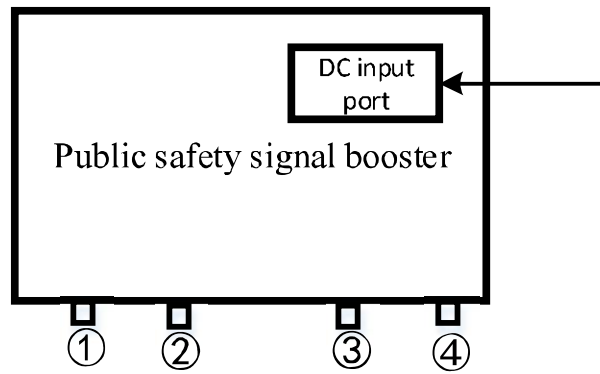
Then the DL signals will be sent to downlink PA to amplify power and filter via duplexer. After amplification, the signals are transmitted via the MT port to the service antenna.

In the uplink, the mobile signals are received by the service antenna. After the MT port integrated duplexer, the signals are sent to the LNA, integrated module for digital filtering, then to PA for power amplification and to duplexer.

After that, the uplink signals are sent to the donor antenna for transmission back to the BTS.

————— The following blanks —————

2.4. Description of Booster connection port



- NOTE: ① DOWNLINK OUTPUT
② UPLINK INPUT
③ UPLINK OUTPUT
④ DOWNLINK INPUT

———— The following blanks ————

3. Related documents

FCC PART 2 (2024)

FCC PART 90 (2024)

KDB 935210 D05 Indus Booster Basic Meas v01r04

KDB 935210 D02 Signal Boosters Certification v04r02

KDB 971168 D01 Power Meas License Digital Systems v03r01

ANSI/TIA 603-E-2016

ANSI/TIA-102.CAAA-E-2016

ANSI C63.26-2015

————— The following blanks —————

4. Test result summary

Test Item	Test Requirements	Test Method	Reported	N/A
Test Frequency	KDB 935210 D02 APPENDIX D/Table D.3, FCC PART 2.1057, ANSI C63.26-2015 Clause 5.1.2	/	Reported only	
Input Signals	KDB 935210 D05 clause 4.1	/	Reported only	
AGC Threshold	KDB 935210 D05 clause 4.2	/	Reported only	
Out of Band Rejection	KDB 935210 D05 clause 4.3 FCC PART 90.219 (a) FCC PART 90.219 (d)((7))	KDB 935210 D05 clause 4.3	<input checked="" type="checkbox"/>	
Input VS output Comparison	KDB 935210 D05 clause 4.4 FCC PART 2.1049(c) FCC PART 90.219 (e)(4)(ii)	KDB 935210 D05 clause 4.4	<input checked="" type="checkbox"/>	
Mean power and amplifier/booster gain	KDB 935210 D05 clause 4.5 FCC PART 90.219 (e)(1)	KDB 935210 D05 clause 4.5	<input checked="" type="checkbox"/>	
Noise Figure	KDB 935210 D05 clause 4.6 FCC PART 90.219 (e)(2)	KDB 935210 D05 clause 4.6	<input checked="" type="checkbox"/>	
Out-of-band/out-of-block emissions	KDB 935210 D05 clause 4.7.2 FCC PART 2.1051 FCC PART 90.219 (d)(6)(i) FCC PART 90.219 (e)(3)	KDB 935210 D05 clause 4.7.2	<input checked="" type="checkbox"/>	
Conducted spurious emissions	KDB 935210 D05 clause 4.7.3 FCC PART 2.1051 FCC PART 90.219 (e)(3)	KDB 935210 D05 clause 4.7.3	<input checked="" type="checkbox"/>	
Frequency stability	KDB 935210 D05 clause 4.8 FCC PART 2 1055(a)(2) FCC PART 90.213 FCC PART 90.219 (e)(4)(i)	KDB 935210 D05/4.8 FCC PART 2 1055(b)	<input checked="" type="checkbox"/>	
Radiated spurious emissions	KDB 935210 D05 clause 4.9 FCC PART 2.1053 FCC PART 90.219 (e)(3)	KDB 935210 D05 clause 4.9 ANSI C63.26-2015/5.5 ANSI/TIA 603-E-2016 ANSI/TIA-102.CAAA-E-2016	<input checked="" type="checkbox"/>	

NOTE: mean that test needs to be performed.

5. About Signal Booster

According to the basic information of EUT (the device is a broadband device) and FCC part 90.219 (a) and KDB 935210 D02 APPENDIX A3.1 rules, this EUT belongs to PART 90 class A Industrial signal booster and it is a non SMR.

5.1. KDB 935210 D02 APPENDIX A3.1

A.3.1 Signal Booster (Section 90.219)

A **Signal Booster (Section 90.219)** is a device or system that automatically receives, amplifies, and retransmits signals from wireless stations into and out of building interiors, tunnels, shielded outdoor areas and other locations where these signals would otherwise be too weak for reliable communications. Signal booster systems may contain both Class A and Class B signal boosters as components. [Section 90.219(a)]

All **Section 90.219 boosters** are a type of Industrial Signal Booster, and are classified as either **Class A boosters** (narrowband) or **Class B boosters** (wideband). [R11] [Order, ¶ 15]

Note also that Consumer Signal Boosters are not defined for PLMRS or PSRS because licensees are considered to operate private services. Part 90 PLMR licensees typically obtain authorizations for individual narrowband channels or groups of channels to satisfy their own communication needs. Moreover, many Part 90 channels are interleaved and a licensee's channels may not be adjacent to one another, which presents unique considerations for signal boosters used with Part 90 PLMR services. [Order, ¶ 144]

a) Class A signal booster: A signal booster designed to retransmit signals on one or more specific channels. A signal booster is deemed to be a Class A signal booster if none of its passbands exceed 75 kHz. [Section 90.219(a)]

b) Class B signal booster: A signal booster designed to retransmit any signals within a wide frequency band. A signal booster is deemed to be a Class B signal booster if it has a passband that exceeds 75 kHz. [Section 90.219(a)]

Class B signal boosters may be deployed only at fixed locations; mobile operation of Class B signal boosters is prohibited (after November 1, 2014). [Section 90.219(d)(4)]

5.2. FCC part 90.219 (a) Definitions

§90.219 Use of signal boosters.

This section contains technical and operational rules allowing the use of signal boosters in the Private Land Mobile Radio Services (PLMRS). Rules for signal booster operation in the Commercial Mobile Radio Services under part 90 are found in §20.21 of this chapter.

<https://www.ecfr.gov/cgi-bin/text-idx?SID=2097cbedce8abb94d012e95530a44e05&mc=true&node=pt47.5.90&rgn=div5>

2020/6/15

Electronic Code of Federal Regulations (eCFR)

(a) *Definitions.* The definitions in this paragraph apply only to the rules in this section.

Class A signal booster. A signal booster designed to retransmit signals on one or more specific channels. A signal booster is deemed to be a Class A signal booster if none of its passbands exceed 75 kHz.

Class B signal booster. A signal booster designed to retransmit any signals within a wide frequency band. A signal booster is deemed to be a Class B signal booster if it has a passband that exceeds 75 kHz.

6. Test modes

Test modes	<p>TX mode: “DOWNLINK INPUT” port of EUT is connected to the signal generator, “DOWNLINK OUTPUT” port is connected to the spectrum analyzer through attenuator, and the power of the EUT is turned on and signal is sent.</p> <p>RX mode: “UPLINK INPUT” port of EUT is connected to the signal generator, “UPLINK OUTPUT” port is connected to the spectrum analyzer through attenuator, and the power of the EUT is turned on and signal is sent.</p>
------------	---

———— The following blanks ————

7. Laboratory

The tests & measurements refer to this report were performed by GRG METROLOGY & TEST (CHENGDU) CO., LTD.

Add. : Park, No.9, Wu Ke East 3rd Road, WuHou District, ChengDu, SiChuan, 610045, People's Republic of China

P.C. : 610045

Tel : 028-86496437

Fax : 028-86496437

8. Measurements uncertainty

Where relevant, the following measurement uncertainty levels have been estimated for tests performed on the EUT as specified in CISPR 16-4-2:

Measurement		Frequency	Uncertainty
Radiated Spurious Emission	Horizontal	30MHz~1000MHz	4.8dB
	Horizontal	1GHz~18GHz	5.1dB
	Vertical	30MHz~1000MHz	4.9dB
	Vertical	1GHz~18GHz	5.0dB

Measurement	Uncertainty
RF frequency accuracy	6.0×10^{-6}
RF power conducted	0.60dB
Occupied channel bandwidth	0.40%
Unwanted emission, conducted	0.66dB
Humidity	6.0%
Temperature	2.0°C

Note: This uncertainty represents an expanded uncertainty factor of $k=2$.

———— The following blanks ————

9. Instruments used during test

Name of Equipment	Manufacturer	Model	Serial Number	Calibration Due
Vector Signal Generator	R&S	SMW200A	110473	2024-08-11
Vector Signal Generator	R&S	SMBV 100B	101965	2024-07-12
Vector Signal Generator	R&S	SMBV 100A	260996	2024-10-16
Signal Generator	Agilent	E5182A	MY46240077	2024-09-21
Spectrum analyzer	R&S	FSV30	103264	2024-08-23
Spectrum analyzer	R&S	FSW43	102249	2024-07-15
Spectrum analyzer	Keysight	N9010B-503	MY56460128	2024-10-27
SNS Series Noise Source	Agilent	N8975A	MY45272551	2024-11-08
SNS Series Noise Source	Agilent	N4000A	MY53232432	2025-02-21
Frequency meter	Suin	SS7300	6E5042029	2024-09-14
Digital multimeter	Fluke	F15B+	44750292WS	2024-11-08
Attenuation	Shanghaihua xiang	DTS10-40-4BNCJK	18112301	2024-08-08
Temp & Humidity chamber	OTS	ZB-TY80011	180810001	2024-06-19
Radiated Spurious emissions				
Receiver	R&S	ESU40	100106	2024-08-30
Receiver	R&S	ESU40	100515	2024-11-03
Bi-log Antenna	Schwarzbeck	VULB 9168	01303	2024-07-22
Bi-Log Antenna	SCHWARZBECK	VULB 9163	01175	2024-09-03
Horn antenna	SCHWARZBECK	BBHA 9120D	01668	2025-12-03
Horn Antenna	SCHWARZBECK	BBHA 9120D	02492	2024-07-15
Horn Antenna	ETS	3117 C	00075824	2024-12-02
Broadband Amplifiers	SCHWARZBECK	BBV9718	00246	2024-11-08
Broadband Amplifiers	SCHWARZBECK	BBV9745	9745#76	2025-02-01
Preamplifier	KEYSIGHT	HLWLNA-10180	15128009	2025-02-01
Semi-anechoic chamber	ETS-lindgren	966(RFD-F/A-100)	3730	2026-09-12

———— The following blanks ————

10. Radio technical requirement specification

10.1. Test Frequencies

Test requirement: KDB 935210 D02 APPENDIX D/Table D.3
FCC PART 2.1057
ANSI C63.26-2015 Clause 5.1.2

10.1.1. Requirements

According to FCC regulations, FCC part 2.1057, ANSI C63.26-2015 clause 5.1.2 and KDB 935210 D02 Appendix D / table D.3 have relevant frequency band requirements.

(1) FCC PART 2.1057

§2.1057 Frequency spectrum to be investigated.

(a) In all of the measurements set forth in §§2.1051 and 2.1053, the spectrum shall be investigated from the lowest radio frequency signal generated in the equipment, without going below 9 kHz, up to at least the frequency shown below:

(1) If the equipment operates below 10 GHz: to the tenth harmonic of the highest fundamental frequency or to 40 GHz, whichever is lower.

(2) If the equipment operates at or above 10 GHz and below 30 GHz: to the fifth harmonic of the highest fundamental frequency or to 100 GHz, whichever is lower.

(3) If the equipment operates at or above 30 GHz: to the fifth harmonic of the highest fundamental frequency or to 200 GHz, whichever is lower.

(b) Particular attention should be paid to harmonics and subharmonics of the carrier frequency as well as to those frequencies removed from the carrier by multiples of the oscillator frequency. Radiation at the frequencies of multiplier stages should also be checked.

(c) The amplitude of spurious emissions which are attenuated more than 20 dB below the permissible value need not be reported.

(d) Unless otherwise specified, measurements above 40 GHz shall be performed using a minimum resolution bandwidth of 1 MHz.

————— The following blanks —————

(2) ANSI C63.26-2015 Clause 5.1.2

5.1.2 Number of fundamental frequencies to be tested in EUT transmit band

5.1.2.1 General requirement

Measurements of transmitters shall be performed and, if required, reported for each frequency band in which the EUT can be operated with the device transmitting at the number of frequencies in each band specified in Table 2.

²⁴ See 47 CFR 2.1057.

ANSI C63.26-2015
American National Standard for Compliance Testing of Transmitters Used in Licensed Radio Services

Table 2—Number of frequencies to be tested

Frequency range over which EUT operates	Number of frequencies	Location in frequency range of operation
1 MHz or less	1	Middle
1 MHz to 10 MHz	2	1 near top and 1 near bottom
More than 10 MHz	3	1 near top, 1 near middle, and 1 near bottom

(3) KDB 935210 D02 APPENDIX D/Table D.3

Table D.3 – Various Part 90 PLMRS band allocations, rule parts/sections, and service types for Section 90.219 purposes (for info only – see rules for details, also KDB Publication 634817 [R14])

F _L (MHz)	F _H (MHz)	Rule(s)	Misc. Notes
150	150.05	Federal (non-FCC)	
150.05	150.8	90.265	
150.8	162.0125	90	
162.0125	173.2	90.265	
173.2	173.4	90	
173.4	174	Federal (non-FCC)	
406.1	420	90.265	
420	421	ULS presently shows no licensees for 420-420.9 MHz	
421	430	90	
430	450	Not available under 90 Subparts B, C land mobile service	
450	470	90 (selected bands)	
470	512	90	
746	757	27.5(b)(3) Block C; 90 not available	
757	758	27.5(b)(1) Block A; 90 not available	
758	768	90-R, Public Safety (PS) Broadband (FirstNet)	B9B (LTE)
768	769	PS Guardband	
769	775	PS Narrowband	
775	776	27.5(b)(2) Block B; 90 not available	
776	787	27.5(b)(3) Block C; 90 not available	
787	788	27.5(b)(1) Block A; 90 not available	
788	798	90-R, Public Safety (PS) Broadband (FirstNet)	B9B (LTE)
798	799	PS Guardband	
799	805	PS Narrowband	
805	806	27.5(b)(2) Block B; 90 not available	
806	809	90 NPSPAC (PS) [90.617(a)(1)]	B9B/B9A

The EUT will utilize bands: 450MHz ~ 512MHz