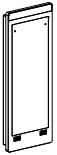


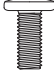


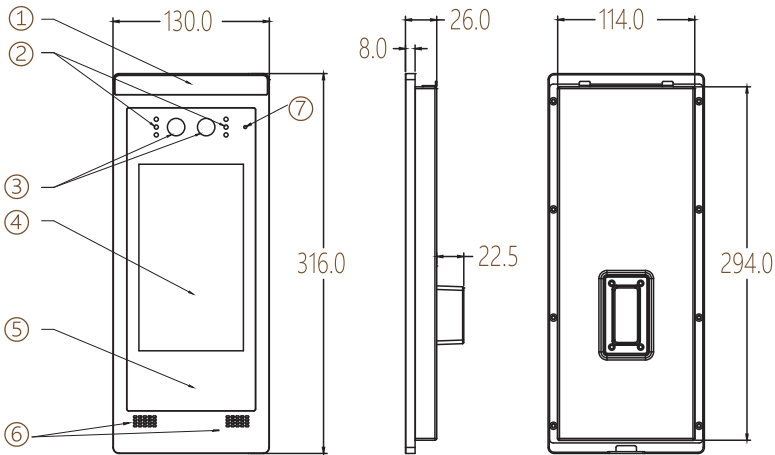
## 1 Unpacking

Before you begin using the device, please check the version you got and ensure that the following items are included in the packing box.

DH-T98S	Waterproof cover	R3×6 Screw	M4×15 Screw
 ×1	 ×1	 ×6	 ×6

\* The wire and mounting box are not included in the device packing box.

## 2 Product Overview



- ① White light LED
- ② Infrared LED
- ③ RGB and Infrared camera
- ④ Touch Screen

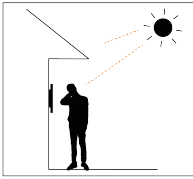
- ⑤ Card Reader
- ⑥ Loudspeaker
- ⑦ Mic

## 3 Installation Environment

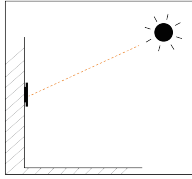
Indoor and outdoor installation are supported.

If installing the device outdoors, please don't place the device under direct sunlight, it will bring a bad effect or be broken with the high temperature.

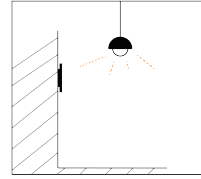
If installing the device indoors, please keep device at least 2 meters away from light, and at least 3 meters away from window and door.



× Backlight



× Direct sunlight



× Close to light

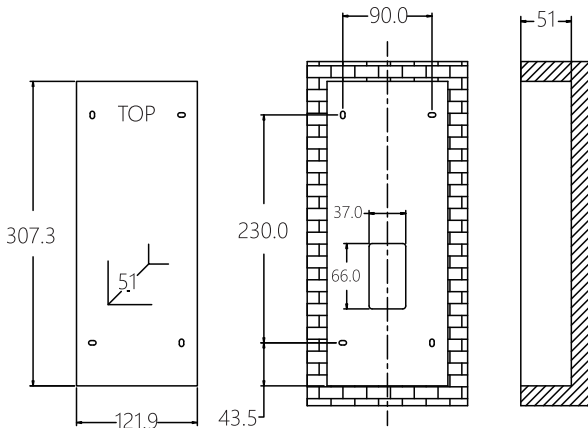
## 4 Installation

### • Flush Mounting

#### Step 1

A Dig out a square hole (height × width × depth = 307.3 × 121.9 × 51mm).

B Recommended installation height: the camera is 1.5m from the ground.



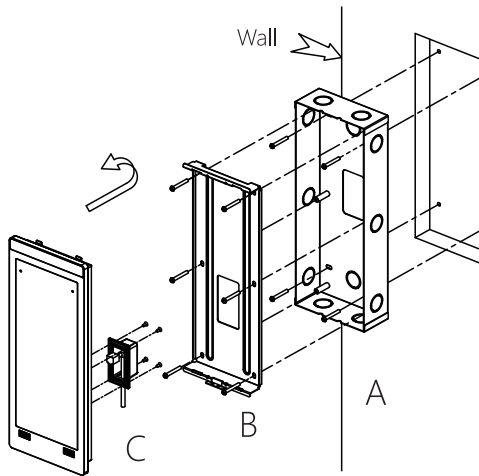
## Step 2

A. Place the embedded box into the square hole, then use cement or non-corrosive structural adhesives to fill the gap between the wall and embedded box.

B. Use six M4×15 screws to fix the flush-mounting bracket on the embedded box.

C. Make cable go through the back cover, connecting to the corresponding interfaces of the main board. Then Use four R3×6 screws to fix the back cover.

D. Place the device into the flush-mounting bracket until the edges of which align to the wall. Then use two R3×6 screws to fix the bottom of the device on the flush-mounting bracket.



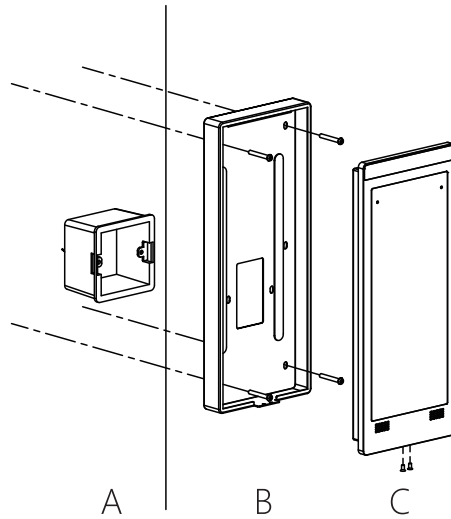
## • Wall Mounting

A Fix the wall-mounting box on 86 embedded box with two M4\*15 screws.

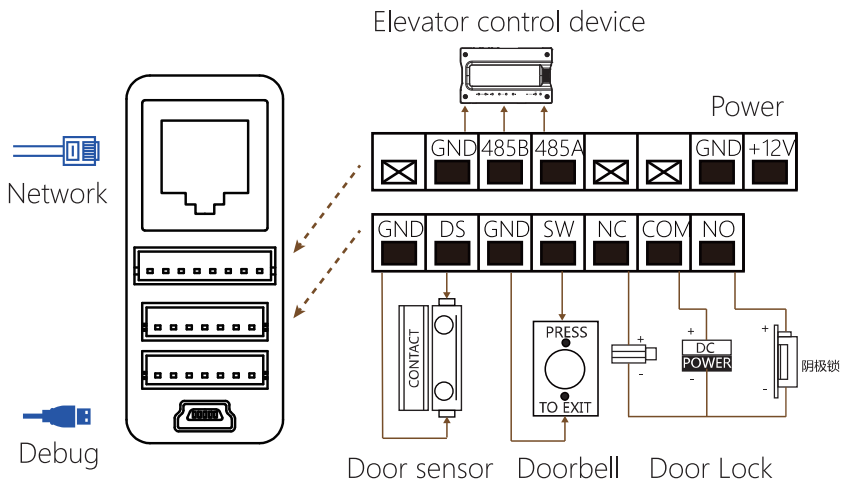
B Fix the wall-mounting box with four M4\*15 screws.

C. Make cable go through the back cover, connecting to the corresponding interfaces of the main board. Then Use four R3\*6 screws to fix the back cover.

D. Place the device into the wall-mounting box until the edges of which align to the wall. Then use two R3\*6 screws to fix the bottom of the device on the wall-mounting box.



## 5 Device Wiring



Notes:

Pin NO/COM is connected to the cathode lock

Pin NC/COM is connected to anode lock or magnetic lock.

## 6 Specifications

OS	Android
Display	7 Inch IPS LCD
Resolution	1024×600
Input power	DC12V 1.5AMax
IP level	IP65
Front panel	Aluminum
Working Temperature	-30°C ~ 55°C
Working Humidity	10%~95%RH
Equipment size	316×130×26mm
Installation size	Flush-mounting,307.3×121.9×51mm
	Wall-mounting,86×86×86mm
Support color	Silver and Gold

## 7 Operation

### Make a call:

Input the room number,press Dial key to make a call.

If the resident does not answer within 30 seconds, the call will automatically end,and forwarding to leave a message.

### Unlock by Face recognition:

Residents who have not registered for face recognition can register through the APP or go to the management center. After registration, they will be automatically identified and unlocked when they approach the stairs.

### Unlock by RF Card:

Place the predefined RF Card in the RF reader area to open the door.

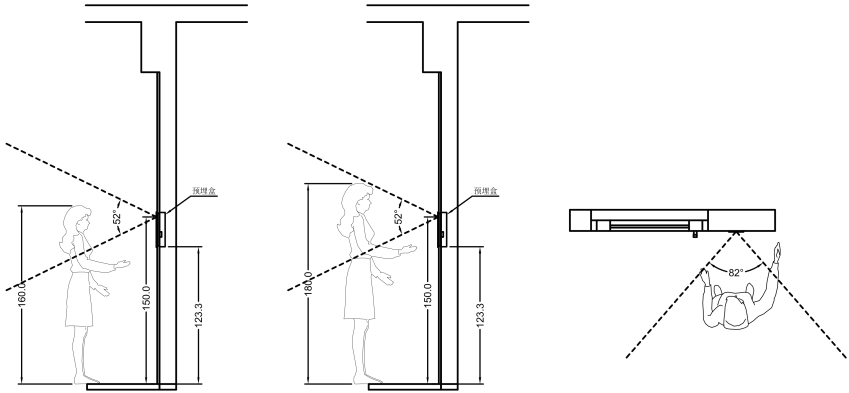
### Unlock by Private key:

In the password interface.enter the private key to open the door.



## Precautions

- Avoid strong vibrations, collisions, knocks and damage to the equipment.
- Do not install the machine in a place exposed to direct sunlight.
- When using the proximity card, always keep the proximity card anti-magnetic, waterproof and anti-folding.
- Install the camera at a good visual level, the recommended camera height is about 150cm.



Viewing angle

Fujian Nexhome Intelligent Technology Co., Ltd.

ADD : 7th floor, building 1, No. 9, Gaoxin Avenue, Shangjie Town, Minhou  
County, Fuzhou City  
[www.nexhome.cn](http://www.nexhome.cn)

***FCC Compliance Notice***

This device complies with part 15 of the FCC Rules. Operation is subject to the following two conditions:

- (1) This device may not cause harmful interference, and
- (2) this device must accept any interference received, including interference that may cause undesired operation.

Any changes or modifications not expressly approved by the party responsible for compliance could void the user's authority to operate the equipment.

This equipment has been tested and found to comply with the limits for a Class B digital device, pursuant to part 15 of the FCC Rules. These limits are designed to provide reasonable protection against harmful interference in a residential installation. This equipment generates, uses and can radiate radio frequency energy and, if not installed and used in accordance with the instructions, may cause harmful interference to radio communications. However, there is no guarantee that interference will not occur in a particular installation. If this equipment does cause harmful interference to radio or television reception, which can be determined by turning the equipment off and on, the user is encouraged to try to correct the interference by one or more of the following measures:

- Reorient or relocate the receiving antenna.
- Increase the separation between the equipment and receiver.
- Connect the equipment into an outlet on a circuit different from that to which the receiver is connected.
- Consult the dealer or an experienced radio/TV technician for help.

***RF Exposure Information***

This equipment complies with FCC radiation exposure limits set forth for an uncontrolled environment .

This transmitter must not be co-located or operating in conjunction with any other antenna or transmitter.

This equipment should be installed and operated with minimum distance 20cm between the radiator& your body.