



Shenzhen Qianmu Communication Technology Co., Ltd.

Item: T107

DATE: 2023-3-9

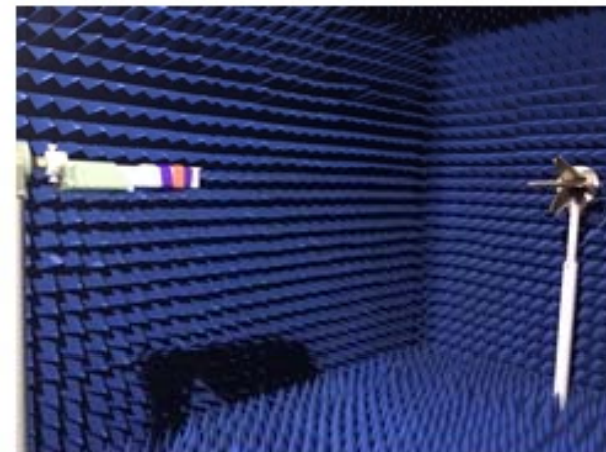
VER: A1

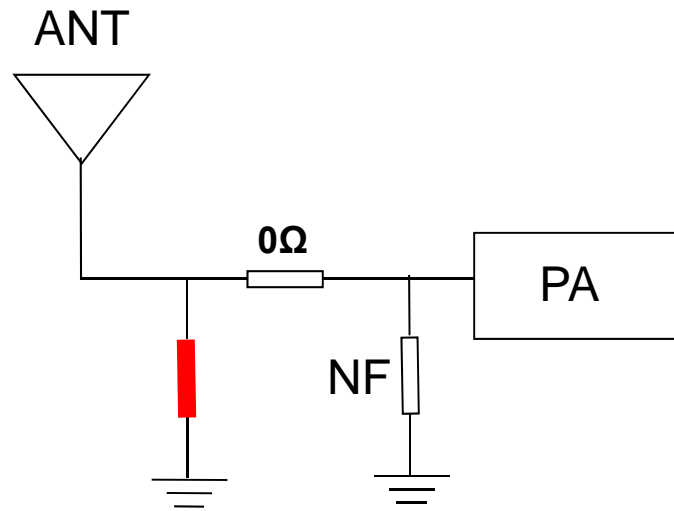
RF: QIU ZHI YUAN



测试环境

	测试项目	设备
1. S参数 (S-parameter)	1. 回波损耗 (Return Loss) 2. 电压驻波比 (VSWR)	Agilent E5071B HP 8753D
2. 有源测试 (Active)	1. 发射功率 (TRP) 2. 接收灵敏度 (TIS) 3. 频率误差 4. 屏灭、屏亮	1. ETS 7x4x3 m (3D) Chamber ETS 5x3x3 m (3D) Chamber 2. Agilent 8960 E5515B × 2 StarPoint SP6011
3. 无源测试 (Passive)	1. 天线增益 (Gain) 2. 天线效率 (Efficiency)	1. ETS 7x4x3 m (3D) Chamber ETS 5x3x3 m (3D) Chamber 2. : Agilent E5071B HP 8753D







WIFI2400-2500MHz

	FPC		
	WIFI 2400~2500MHz 802.11b 11Mbps		
Channel	1	6	11
TRP	12.51	13.47	13.13
TIS	-77.24	-79.5	-79.27



Frequency ID	1	2	3	4	5	6	7	8	9	10	11
Frequency (MHz)	2400.0	2410.0	2420.0	2430.0	2440.0	2450.0	2460.0	2470.0	2480.0	2490.0	2500.0
Point Values											
Ant. Port Input Pwr. (dBm)	0.00	0.00	0.00	0.00	0.00	0.00	0.00	0.00	0.00	0.00	0.00
Tot. Rad. Pwr. (dBm)	-4.04	-4.04	-4.00	-3.77	-3.80	-3.55	-3.68	-3.96	-3.94	-3.80	-3.77
Peak EIRP (dBm)	0.19	0.45	0.70	1.01	1.08	1.30	1.20	0.69	0.44	0.29	0.21
Directivity (dBi)	4.22	4.49	4.70	4.77	4.88	4.86	4.87	4.65	4.38	4.09	3.98
Efficiency (dB)	-4.04	-4.04	-4.00	-3.77	-3.80	-3.55	-3.68	-3.96	-3.94	-3.80	-3.77
Efficiency (%)	39.50	39.40	39.80	42.00	41.70	44.10	42.90	40.10	40.40	41.70	42.00
Gain (dBi)	0.19	0.45	0.70	1.01	1.08	1.30	1.20	0.69	0.44	0.29	0.21
NHPRP $\pm\pi/4$ (dBm)	-5.71	-5.72	-5.69	-5.46	-5.49	-5.24	-5.36	-5.63	-5.59	-5.44	-5.40
NHPRP $\pm\pi/6$ (dBm)	-7.58	-7.59	-7.56	-7.31	-7.34	-7.09	-7.21	-7.48	-7.44	-7.27	-7.21
NHPRP $\pm\pi/8$ (dBm)	-8.98	-8.99	-8.96	-8.71	-8.73	-8.48	-8.61	-8.87	-8.82	-8.63	-8.56
Upper Hem. PRP (dBm)	-7.08	-7.15	-7.09	-6.85	-6.93	-6.67	-6.84	-7.13	-7.08	-6.88	-6.81
Lower Hem. PRP (dBm)	-7.01	-6.97	-6.94	-6.71	-6.69	-6.46	-6.54	-6.83	-6.83	-6.74	-6.75
Upper Hem. PRP (%)	19.58	19.30	19.55	20.66	20.27	21.53	20.69	19.37	19.60	20.49	20.85
Lower Hem. PRP (%)	19.90	20.11	20.21	21.33	21.41	22.59	22.19	20.76	20.76	21.19	21.15

