



广东金晟智能有限公司
Guangdong Jinsheng intelligent Co., Ltd

承 认 书

SPECIFICATION FOR APPROVAL

customer name	Shenzhen Star micro digital Technology Group Co., LTD
material description	coil
Contractor model number	16x0.08x105px11TS-引线55mm
Admission number	
customer code	W14218
date	2022.09.07
Production part number	
Version/page number	A0

Confirmation by contractor

fiction	audit	ratify
Xue-Song He	Jin-Feng Chen	Frederic Jouve

User's confirmation

Development/ Engineering examine	audit	ratify

The customer shall complete the inspection and acceptance within 10 days after receiving the product, and notify the supplier of the inspection result in writing; otherwise, the inspection and acceptance shall be deemed qualified.

Manufacturer: Guangdong Jinsheng Intelligent Co., LTD
Address: 2F, Building B, 289 Wenzhou Road,
Dongcheng Street, Dongguan Cit

电 话: 0769-22252827

邮 箱: 15789306@qq.com

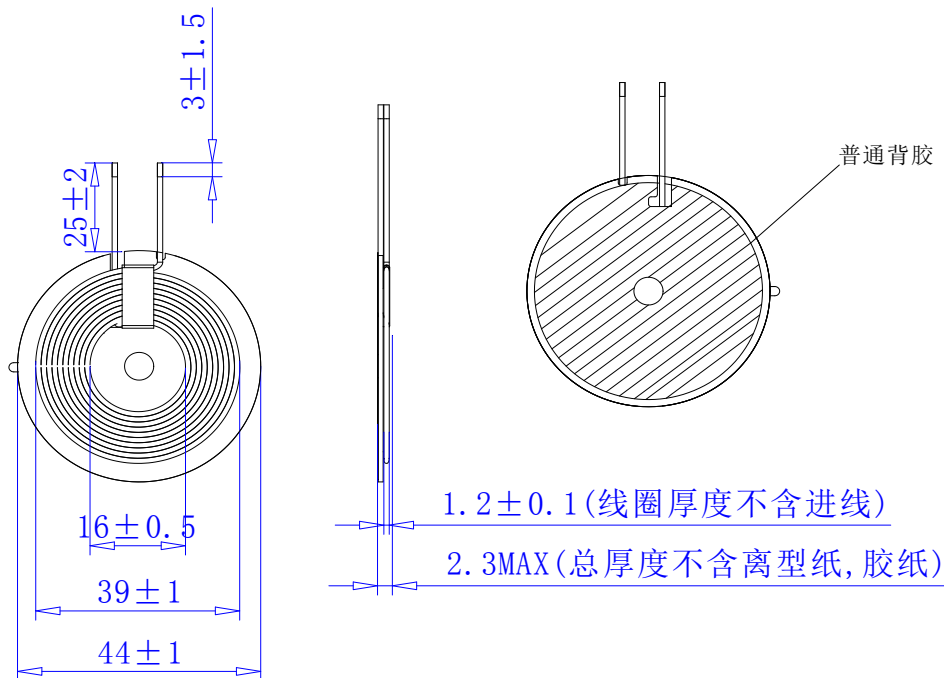
第 1 页	customer code	edition	compile date	contractor
		A0	2022.09.07	Jin Sung Intelligence



广东金晟智能有限公司
Guangdong Jinsheng intelligent Co., Ltd

结构尺寸

1. 外形尺寸： (单位：mm)



2. behaviour of electricity (L) :

project	standard	test condition	test instrument	备注
inductance	3.6±10%	100KHZ,1V	TH2817B+	Coil measurement
inductor iron	6.3±10%	100KHZ,1V	TH2817B+	Measurement with magnetic disc

3. requirement of the surface :

- 1) The shape and size of the product should be strictly controlled.
- 2) The surface of the product is free of oil, impurities, burrs, etc.
- 3) Materials cannot be changed without customer confirmation
- 4) Products must meet ROHS requirements

第 3 页	customer code	edition	compile date	contractor
		A0	2022.09.07	Jin Sung Intelligence



广东金晟智能有限公司
Guangdong Jinsheng intelligent Co., Ltd

材料清单

Bill of materials (材料清单表)

序号 number	材料名称 Material name	品名描述 Description	物料代码 Material Code
1	wire rod	0.08*105P丝包线	
2	magnetic sheet	G44x0.8H Double grooves with holes	
3	adhesive plaster	8MMBrown hot tape	
4	white glues	Silicone adhesive for industrial use	
5	application of gum	42*0.08H(Hand tear with holes)	

第 4 页	customer code	edition	compile date	contractor
		A0	2022.09.07	Jin Sung Intelligence