

Shenzhen Shenlianyu Electronics Co., Ltd **Acknowledgment**

Customer Name: ming jing tian

Customer Item No: P73

Product name: Charging coil

Product Item No: _____

Customer acknowledges

Please sign back after recognition. If the following order is not signed back, it will be regarded as default. Thank you for your cooperation

Issue Date	Document No
2022-08-26	SLY-MJT-01

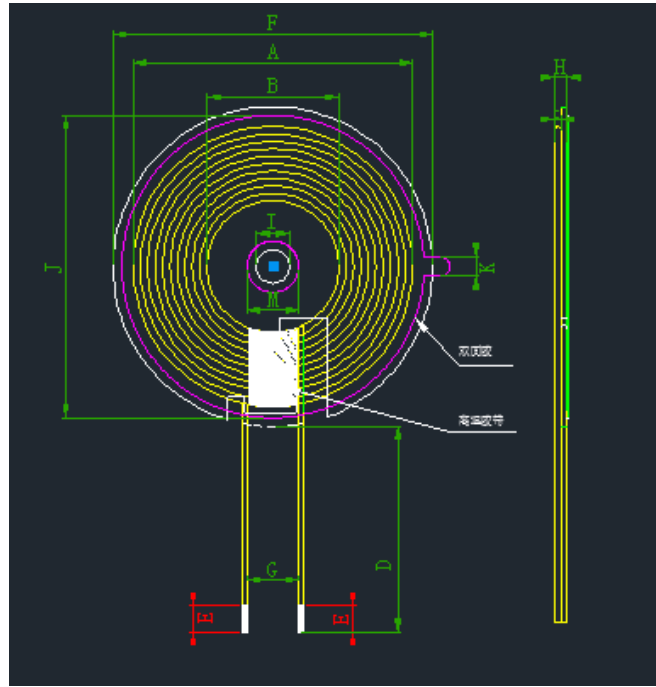
organization	to examine	approval
zhang	chen	Lai wei

Shenzhen Shenlianyu Electronics Co., Ltd	Document No	SLY-MJT-01	Issue Date	2022-08-26
	Revision	C	effective date	2022-08-26
G43 Series Sample Acknowledgment	Number of revisions	0	Page	1 /2

editi	Change resume	Changed by	Change time
A	New issue: August 26, 2022	zhang	2022-08-26
B			
C			

Shenzhen Shenlianyu Electronics Co., Ltd	Document No	SLY-MJT-01	Issue Date	2022-08-26
	Revision	C	effective date	2022-08-26
G43 Series Sample Acknowledgment	Number of revisions	0	Page	2 /2

1.Overall dimensions: (Company: mm)



2. Electrical characteristics

Inductance L	6.1uH±5%	Test conditions	100KHz/1V	Test instrument: Digital bridgeTH2817C+
DC resistance(DCR)	36mΩ Max	Test conditions	100KHz/1V	
Qvalue	≥75	Test conditions	100KHz/1V	

3. Material Science:

- (1)Magnetic disc:G43-1
- (2)Copper wire: 0.08*105Wire wrapped strand
- (3)Winding method: 11 turns counterclockwise

4. Electrical property diagram:

