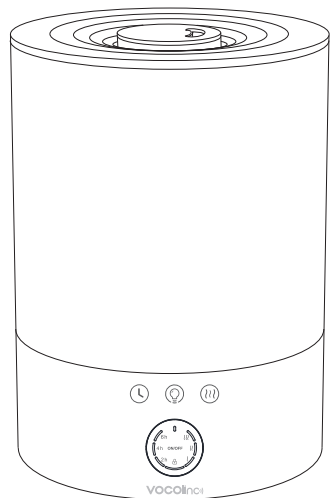


VOCOLinc  
VHI  
MistFlow Smart Humidifier



Scan the code if you have any other questions

# 成型尺寸: 65x100mm

# 105 g双铜纸,

# 单色印刷 装订

### Safety Instructions

- Do not install or operate the humidifier with wet hands or standing on damp surfaces.
- Do not put the humidifier near potentially dangerous sources, such as a heater, flammable gas, or combustibles.
- Do not place the humidifier on an inclined surface.
- Place the humidifier 12 inches (30 cm) away from the wall, other appliances, or wooden furniture.
- Keep the humidifier and its components away from direct sunlight, splashes, water drops, or high-humidity environments.
- Keep the humidifier out of reach of patients, children, and pets.
- Turn the product off and unplug it from power before cleaning.
- Use a soft, damp cloth to clean the humidifier with mild detergent.
- Do not use acids or enzymes detergents, as this may give off hazardous gas or cause malfunction.
- If the humidifier is knocked over during use, turn it off immediately and unplug from power.
- Do not use the humidifier if the power cord has been damaged. Contact customer service.
- Do not risk your safety by taking apart or repairing this humidifier by yourself.

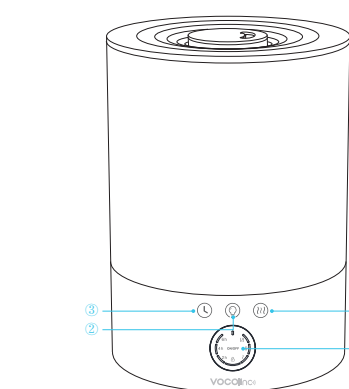
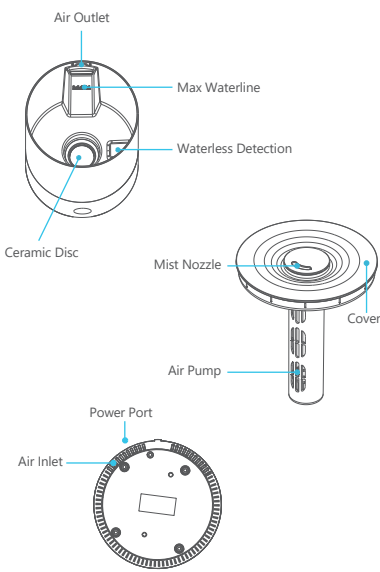
### Introduction

Mist Flow Smart Humidifier improves the health and sleep of your family. Its large capacity and mist output are ideal for medium-sized rooms and offices up to 430 ft<sup>2</sup>. This humidifier features a rainbow ambient light and a top-fill design that makes refilling and cleaning a breeze.

Connect this humidifier to the VOCOLinc app, and you can adjust the light color and effect based on your mood and occasion and customize functions such as scheduling and targeted misting. This humidifier also works with Apple Home, Amazon Alexa, and Google Assistant for voice control, giving you hands-free convenience in your daily life.

### Included in the Box

Item	Quantity
Smart Humidifier	1
Power Adapter	1
User Manual	1



### Controls and Function

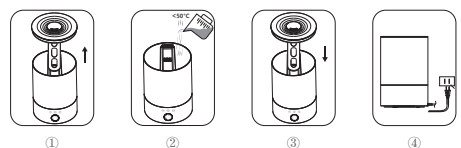
Number	Button	Function
①	Mist Button	Touch to cycle through 3 mist levels, high, medium, and low.
②	Light Button	Touch to turn the ambient light on or off. Long press for 2 seconds to change the color.
③	Timer Button	Touch to cycle through 3 timers, 2 hours, 4 hours, and 6 hours. Long press for 10 seconds to "reset".
④	Power Button	Touch to turn the humidifier on or off. Long press for 2 seconds to turn the safety lock on or off.

\*This will clear all the connection data. You must remove the humidifier from the VOCOLinc app and add it back before using it again.

### Use Your Humidifier

- Remove the cover from the water tank.
- Fill the water tank with filtered or distilled water lower than 50°C till it reaches to the max waterline.
- Put the cover back into place.
- Plug the power cord into a power outlet and touch the mist button to enjoy the humidifier!

Note: The amount and intensity of the mist varies based on the water type, the amount of water, humidity, temperature, and air currents.



### Warnings:

- Do not add water into the air outlet or pour water from it.
- Do not tilt the humidifier while the water tank is full to avoid leakage and prevent water from entering the air outlet.
- Do not direct the mist nozzle towards the wall.
- Do not cover the nozzle by your hand or other objects when it is misting.



### Clean Your Humidifier

- If you use the humidifier continuously for 3 to 5 days, follow the steps below to clean it.
- Unplug the humidifier from power and remove the cover.
  - Pour out any remaining water from the tank.
  - Use a soft damp cloth to clean the water tank and the cover with mild detergent.
  - Wipe the humidifier gently with a dry cloth and put the cover back in place.

Note: If the humidifier will not be used for a long period, drain the water in the tank.

### Add Your Humidifier with VOCOLinc App

**System Requirements**  
Before pairing, ensure you iOS/Android device is in the latest version and your Wi-Fi router is 2.4 GHz capable (5 GHz is not supported).

### Adding Instructions

- Download the VOCOLinc app from the App Store (iOS) or Google Play (Android).
- Open VOCOLinc, tap the "+" icon in the top right corner to enter the "Add Accessory" page (For Android devices, tap "Model").
- Tap "Wellbeing" and select "VHI". Read the onscreen notes and confirm to the next step.
- For iOS devices, scan the following QR code or the QR code on the humidifier to search for and add the accessory, while Android devices will automatically search for the accessory and finish adding.



Note: If you fail to add, read the "Tips" and follow the instructions. You can also tap "Help" or "Contact VOCOLinc" for further questions or go to "User" page and tap "FAQ" or "Contact customer service".

### Firmware Updates

- It is recommended to update the firmware whenever an update is available for a better user experience.
- Open the VOCOLinc app.
  - Press the device icon on the "Home" page to enter the device's page.
  - Tap "Update" if the "Firmware update" pops up.
  - Wait for a few minutes for the update and do not exit the app until the update is completed.

Note: Only when the device connects to the same Wi-Fi as your smartphone will you receive the firmware update prompt.

### Use Amazon Alexa or Google Assistant for Voice Control

#### Link VOCOLinc to Amazon Alexa

- Download Amazon Alexa app from the App Store (iOS) or Google Play (Android). Register and log in your account.
- Open VOCOLinc app. Tap "user" and "3rd party connection", select "Link to Amazon Alexa".
- Tap "LOGIN WITH AMAZON". Tap "Link" in Amazon Alexa app. If "Status - Account Linking Succeeded" pops up in VOCOLinc app, then the VOCOLinc Skill is linked to Amazon Alexa.
- Open Amazon Alexa, tap "More" to enter "DISCOVER ALEXA" page to check "Your Skills". Tap "VOCOLinc" to check your devices added and wait for devices syncing to Amazon Alexa.
- Now you can speak to Amazon Alexa to control your devices remotely.

#### Link VOCOLinc to Google Home

- Download Google Home app from the App Store (iOS) or Google Play (Android). Register and log in your account.
- Open VOCOLinc app. Tap "user" and "3rd party connection", select "Link to Google Home".
- Tap "GO TO LINK" to open Google Home app and tap the "+" on the top left corner to enter "Add and manage" page.
- Tap "Set up device" and select "Works with Google".
- Search for "VOCOLinc" and sign in your account. If "VOCOLinc is linked" pops up, then the VOCOLinc is linked to Google Home.
- After all devices added to VOCOLinc are synced to Google Home, you can enjoy the hands-free control.

### Specifications

Dimension	180 × 180 × 252 mm
Net Weight	0.8 kg
Water Tank Capacity	2.5 L
Power Cord Length	6 ft (183 cm)
Power Input	120 V AC 60 Hz (US) / 220-240 V AC 50 Hz (EU)
Plug Type	US/EU
Effective Range	Up to 430 ft <sup>2</sup> (40 m <sup>2</sup> )
Wattage	22 W
Operation Frequency	2412~2462 MHz
Transmit Power	17 dBm
Connectivity	Wi-Fi
Voice Control	Apple Home, Amazon Alexa, Google Assistant
Working Temperature	1 ~ 40°C (33.8 ~ 104°F)

### After-sales Service

**Warranty** : 1-year Limited Warranty  
**Email** : support@vocolinc.com  
**Official Website** : www.vocolinc.com

### FCC Statement

**Caution:**  
This equipment has been tested and found to comply with the limits for a Class B digital device, pursuant to Part 15 of the FCC Rules. These limits are designed to provide reasonable protection against harmful interference in a residential installation. This equipment generates uses and can radiate radio frequency energy and, if not installed and used in accordance with the instructions, may cause harmful interference to radio communications. However, there is no guarantee that interference will not occur in a particular installation. If this equipment does cause harmful interference to radio or television reception,

which can be determined by turning the equipment off and on, the user is encouraged to try to correct the interference by one or more of the following measures:  
-- Reorient or relocate the receiving antenna.  
-- Increase the separation between the equipment and receiver.  
-- Connect the equipment into an outlet on a circuit different from that to which the receiver is connected.  
-- Consult the dealer or an experienced radio/TV technician for help.

This device complies with part 15 of the FCC Rules. Operation is subject to the following two conditions:  
(1) This device may not cause harmful interference, and this device must accept any interference received, including interference that may cause undesired operation.  
(2) Any Changes or modifications not expressly approved by the party responsible for compliance could void the user's authority to operate the equipment. The antenna(s) used for this transmitter must be installed to provide a separation distance of at least 20 cm from all persons and must not be co-located or operating in conjunction with any other antenna or transmitter.

**IC Declaration**  
**Caution:**  
This device complies with Industry Canada's licence-exempt RSSs. Operation is subject to the following two conditions:  
(1) This device may not cause interference, and This device must accept any interference, including interference that may cause undesired operation of the device.  
(2) In order to avoid the possibility of exceeding the ICSED radio frequency exposure limits, human proximity to the antenna shall not be less than 20cm (8 inches) during normal operation.

**EU Declaration of Conformity**  
Hereby, Felion Technologies Company Limited declares that the radio equipment MistFlow Smart Humidifier is in compliance with Directive 2014/53/EU. The full text of the EU declaration of conformity is available at the following internet address: www.vocolinc.com