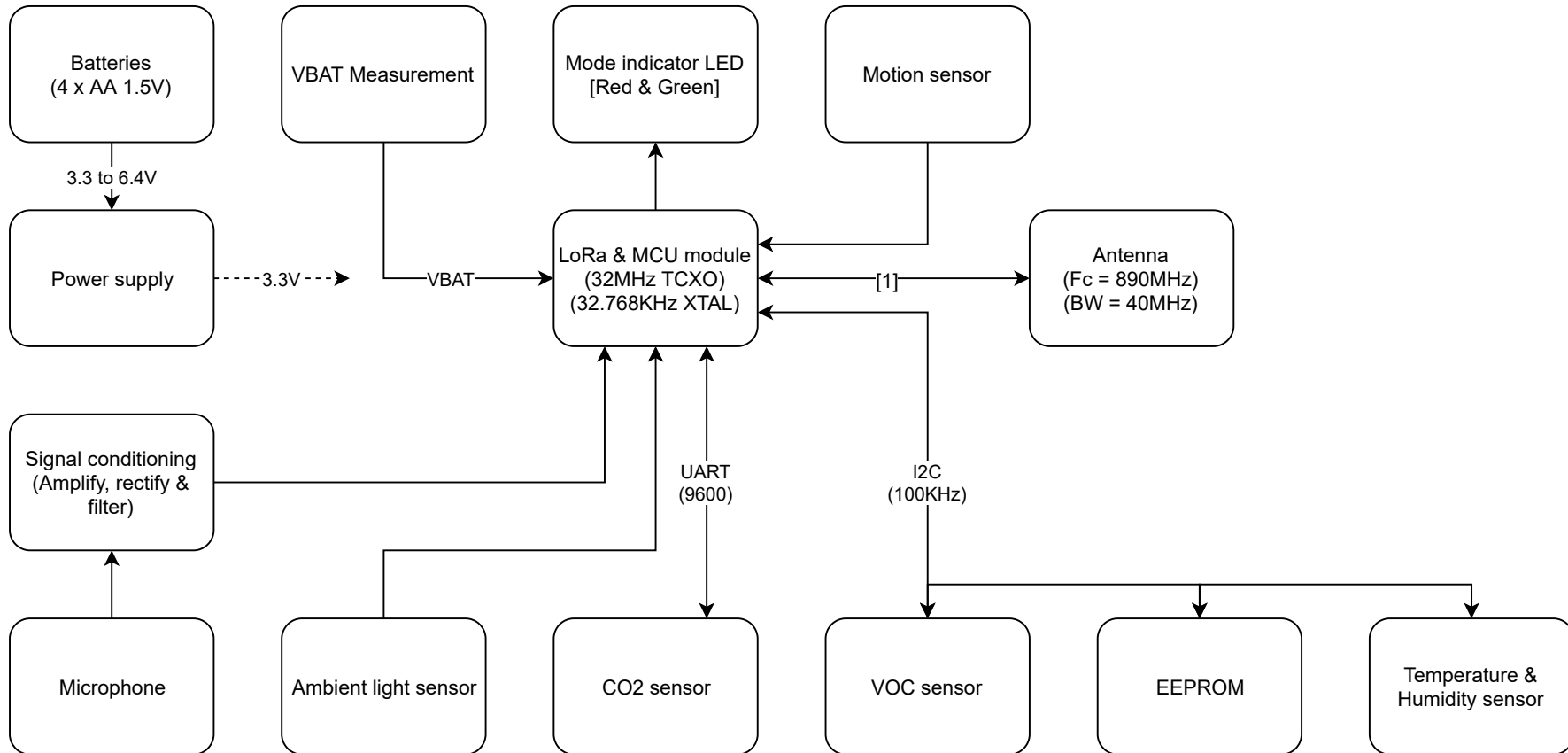


Block diagram: Officesense 2.0



[1] Transmit center frequency is variant dependent: Center frequency is 868MHz for Europe and 915MHz for USA

Project: Officesense 2.0	Project number: PXXXXXX	Revision: V01
Client: Capgemini	Author: Tom Klijn	Date: 10-06-2020