



Attachment A

Type / Model Name : KY-LOC 1D.03.01

Product Description : Radar sensor

HVIN: 1.1.2.1.1

Applicant : Kymati GmbH

Address : Am Hochacker 5

85630 GRASBRUNN, GERMANY

Manufacturer : Kymati GmbH

Address : Am Hochacker 5

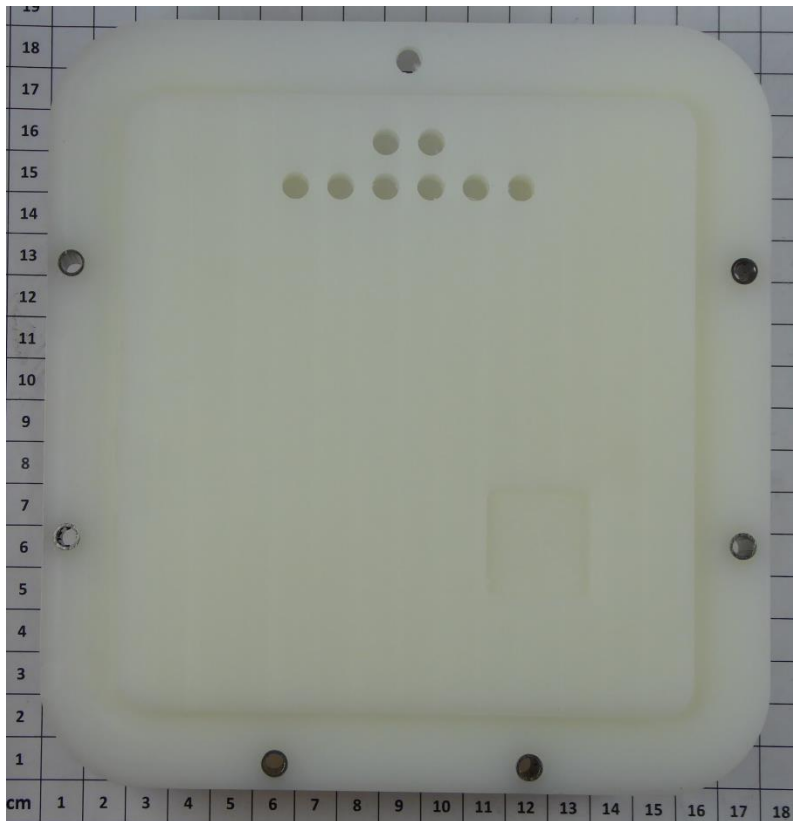
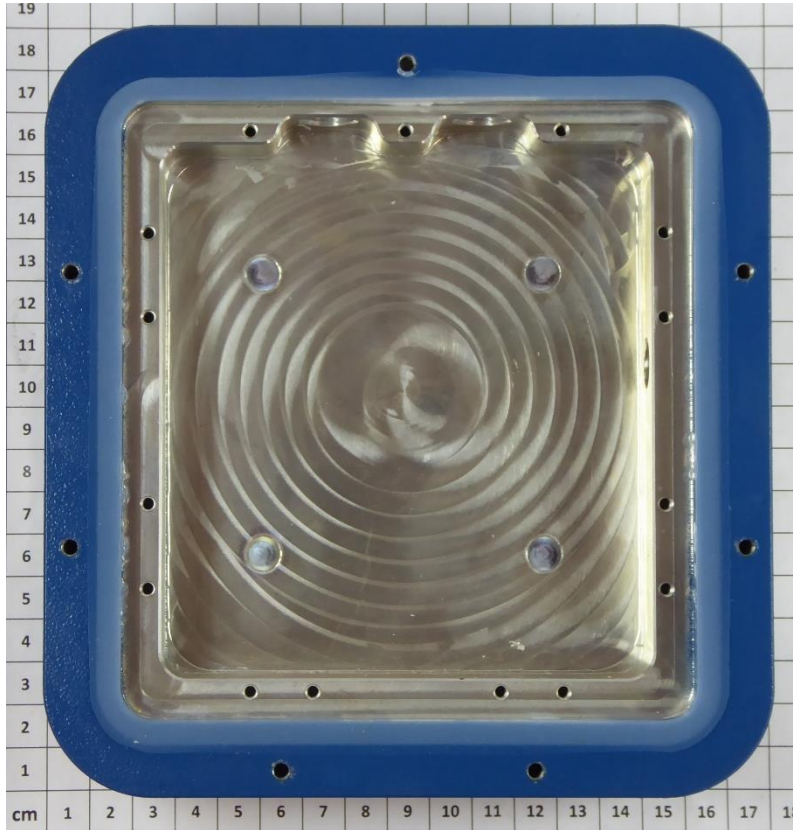
85630 GRASBRUNN, GERMANY

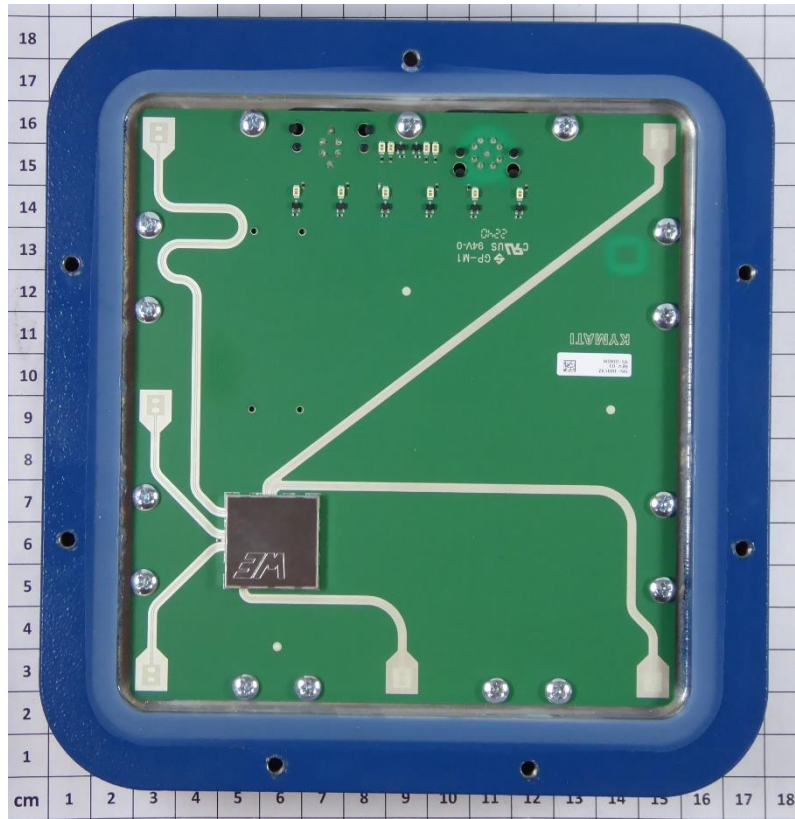
according to

Test Report No. : 80141961-03 to 80141961-05	06. March 2023 Date of issue
--	---------------------------------

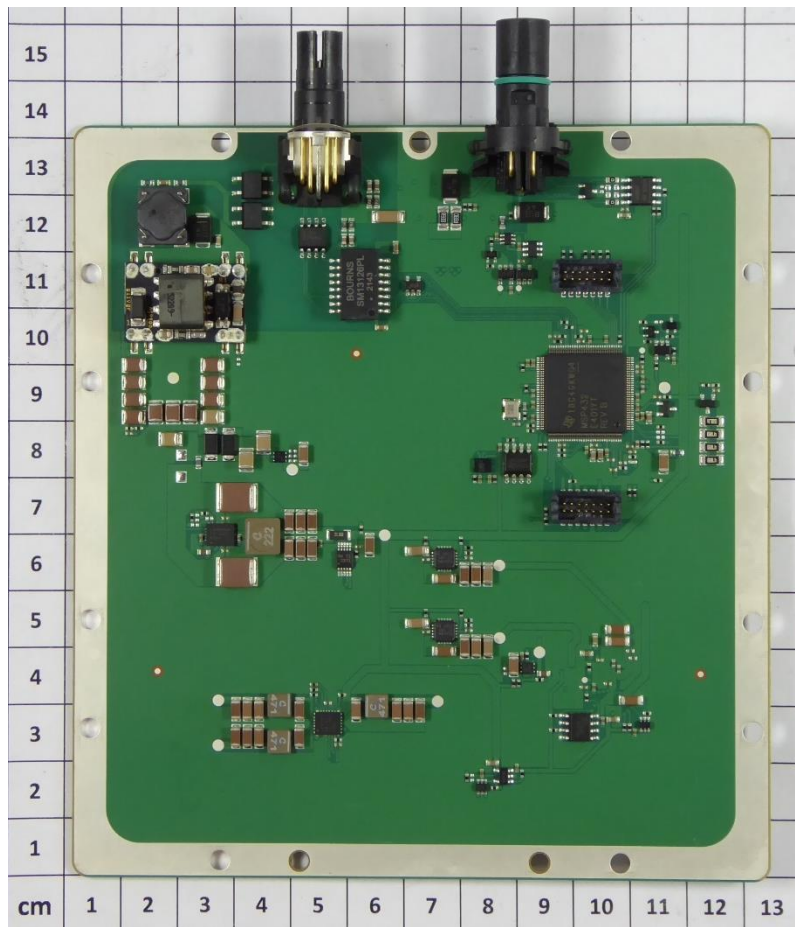
1.2 Internal views

Housing inside view:

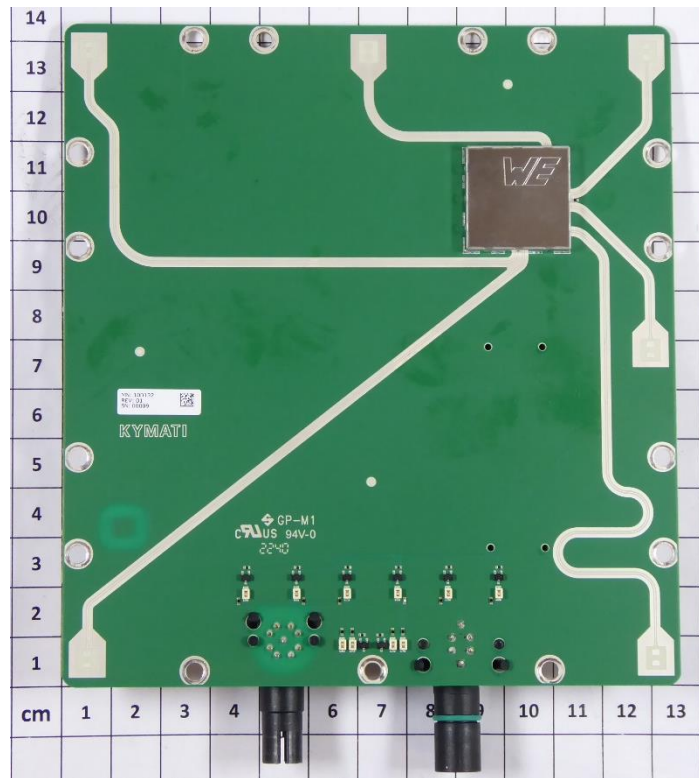




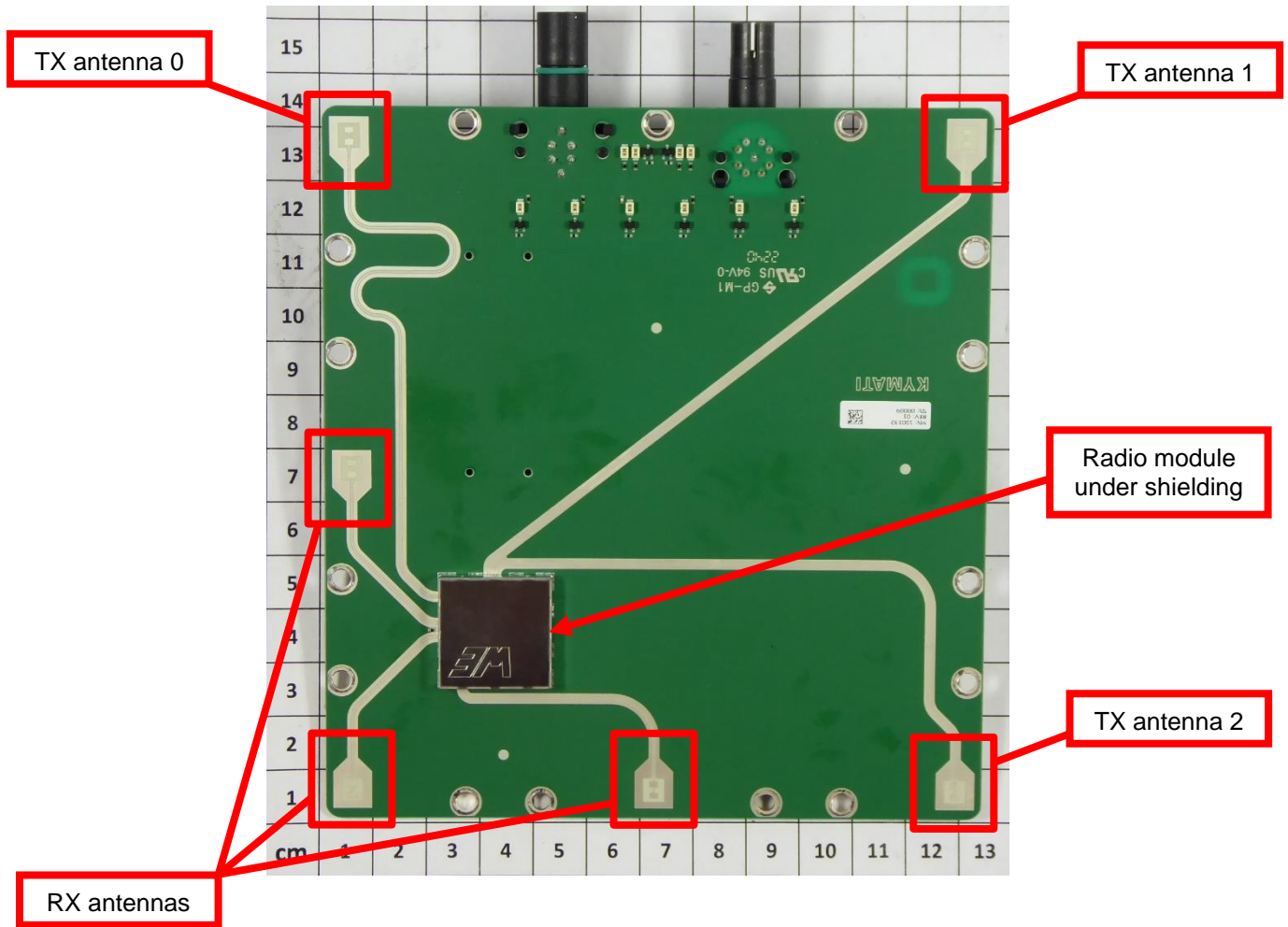
PCB backview:



PCB frontview:



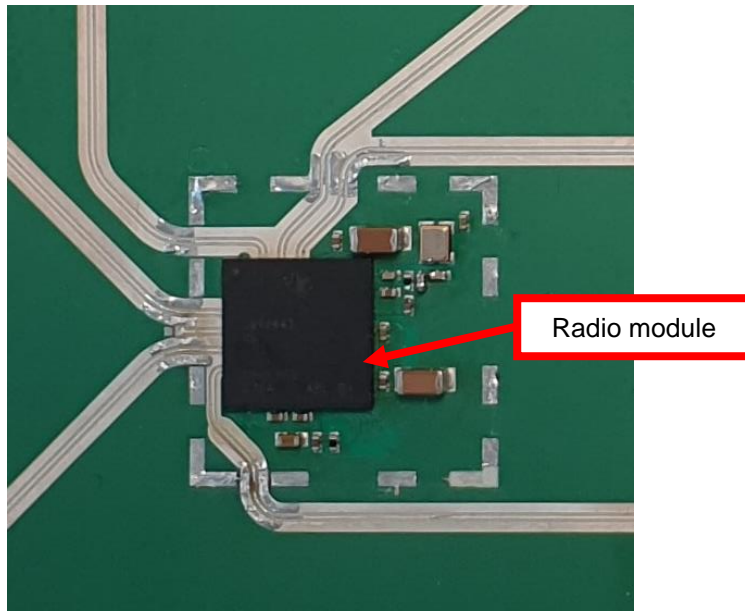
1.3 Antenna and radio module



Antenna detail:



Radio module detail:



- End of Attachment A -