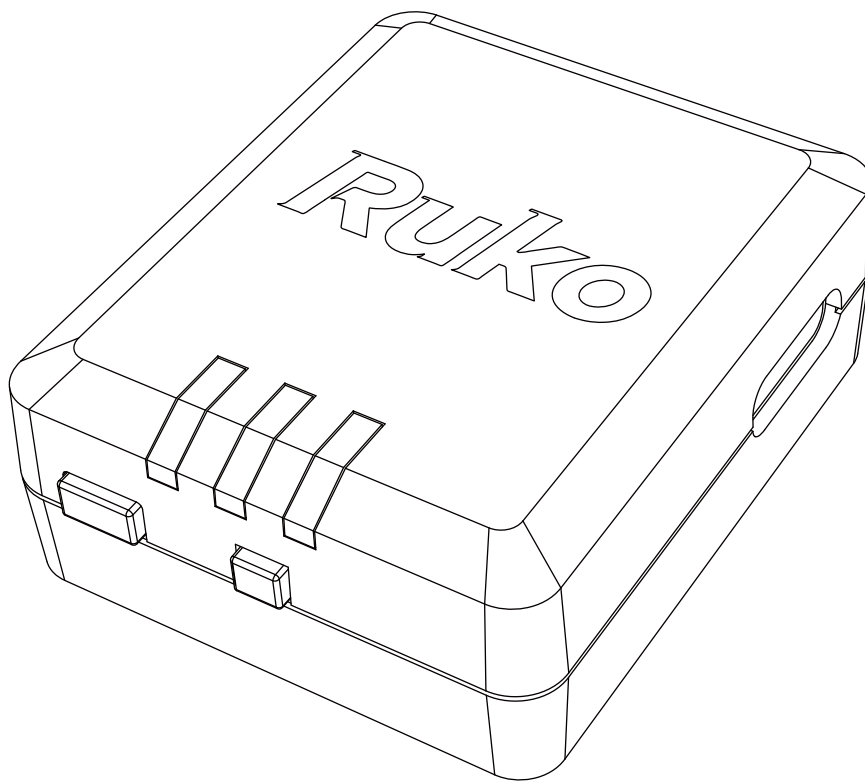


Ruko[®]

14+
for age

User Manual



R111

CONTACT US FOR MORE TECH SUPPORT

 +1 (888)892-0155 | Mon-Fri 7:00AM - 7:00PM (PST)



rukotoy.com



CONTACT US FOR MORE TECH SUPPORT

 +1 (888)892-0155 | Mon-Fri 7:00AM - 7:00PM (PST)

 +1(732)207-0697



Content

1 Quick Guide	1
2 Product Introduction	5
2.1 Product List	5
2.2 Product Appearance	6
2.3 Product Charging	8
3. Ruko Scanner App	9
3.1 Ruko Scanner Download	9
3.2 Video Tutorials	10
3.3 Ruko Scanner Interface	10
4. RID Module Usage	13
4.1 RID Serial Number Registration	13
4.2 Drone Information Binding	15
4.3 RID Module Installation	18
4.4 RID Information Broadcasting	19
4.5 Broadcast Data Viewing	21
5. Specification	23
6. Common Problems and Solutions	24
7. Safety Precautions	25
8. FCC Warning	27

1 Quick Guide

1.Download App

Q Ruko Scanner



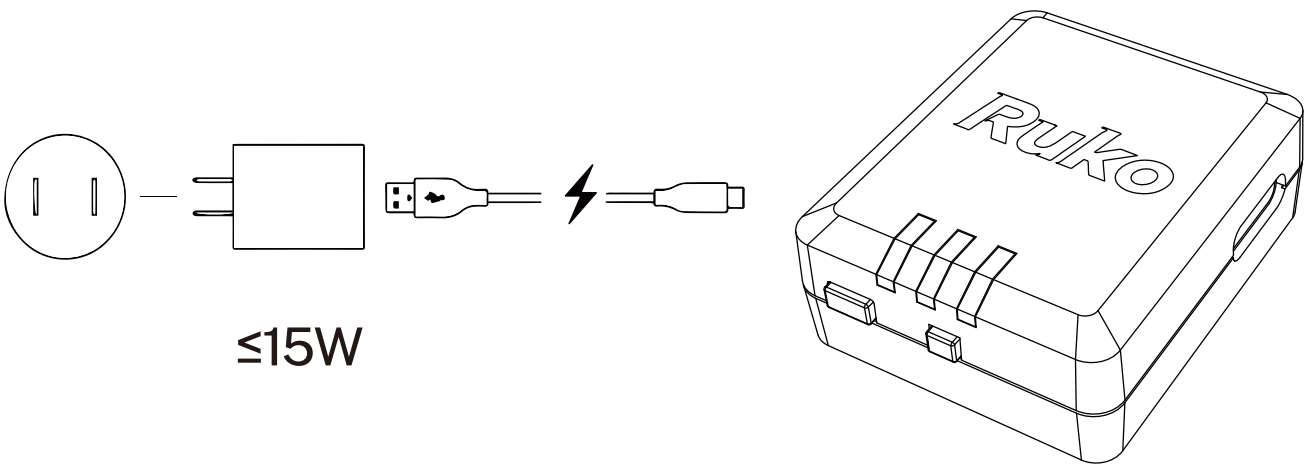
(iOS)



(Android)

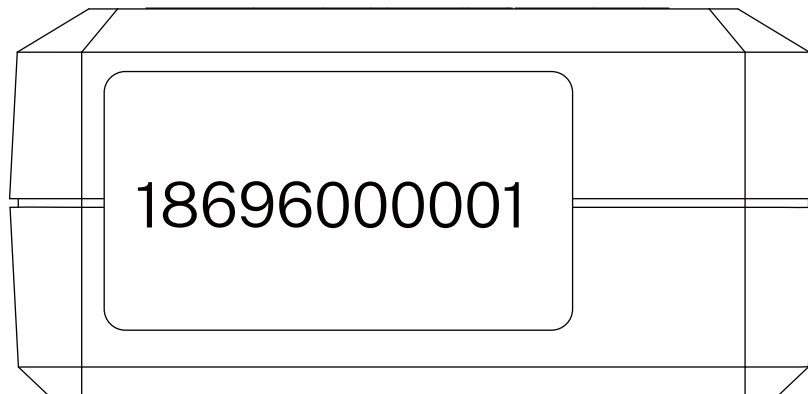
Charge the Batteries

- Charger not included

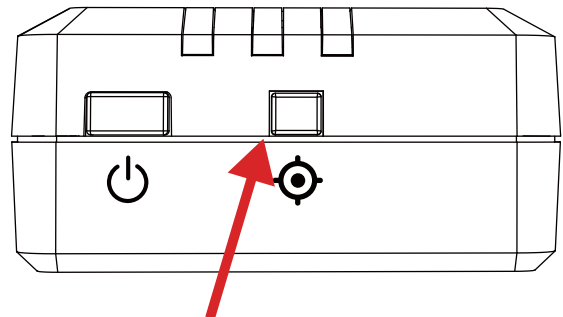
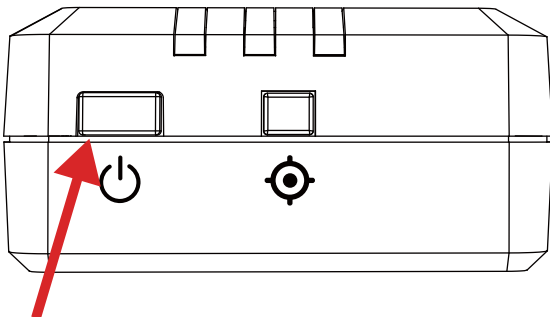


2.RID Serial Number Registration

- Register with the RID Serial Number on the FAA Drone Zone website.



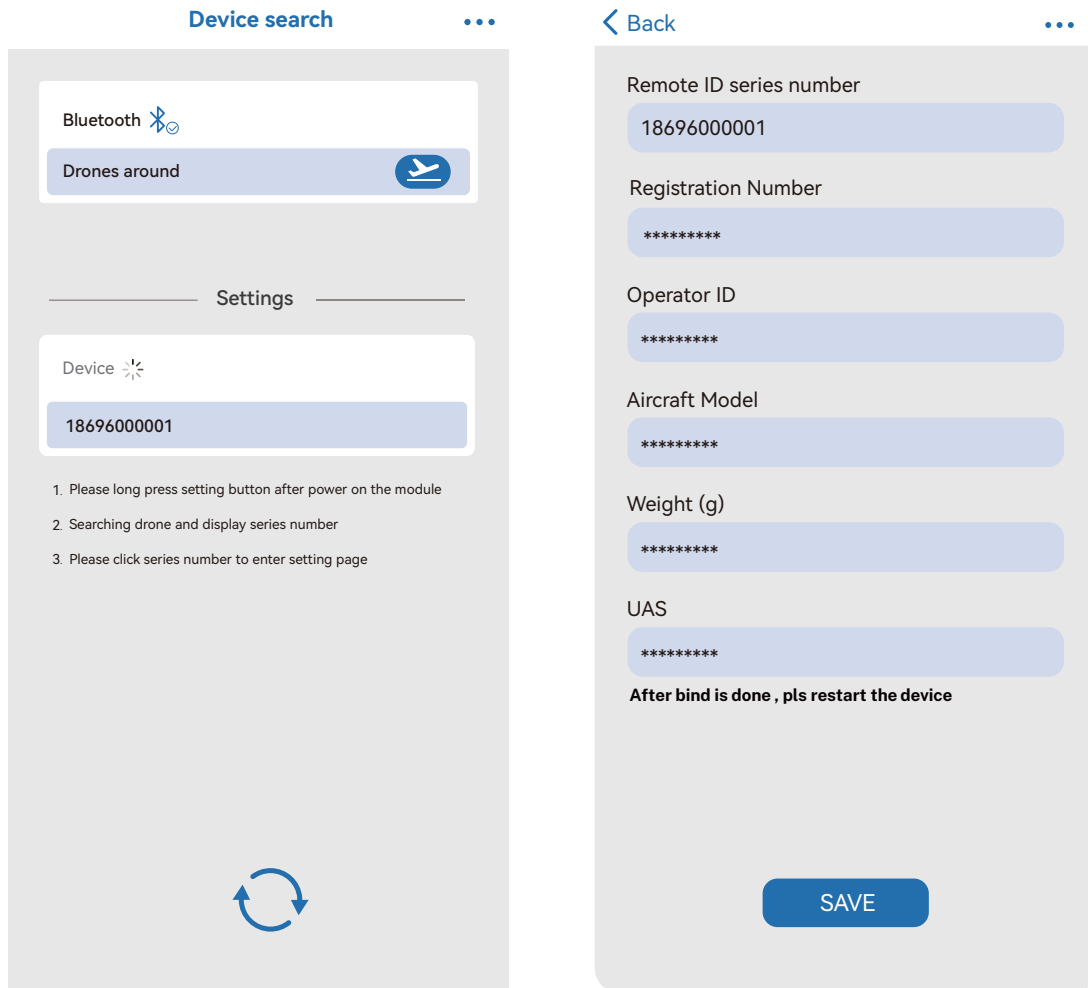
3.Drone Information Binding



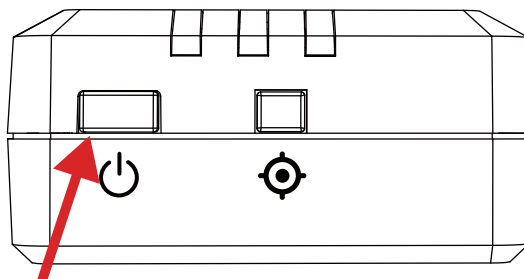
1. Press the power switch for 3 seconds;
2. Press the settings button for 3 seconds;

3. Click on the device serial number to enter settings on the App;

4. Input binding information and save it;



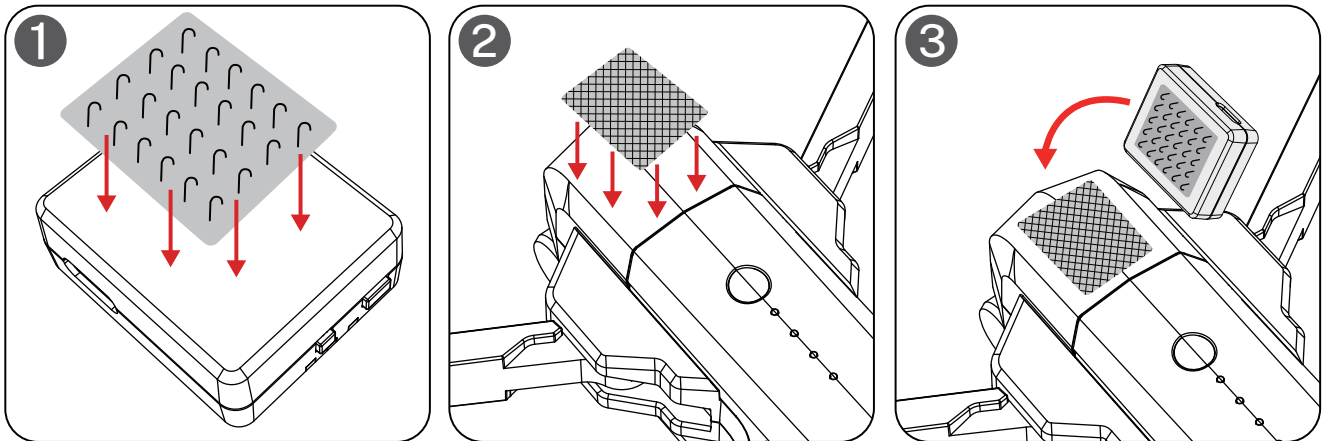
5. Restart the RID module until the indicator on the right side blinks rapidly.



Long press for 3 seconds

- Note: The binding succeeds only after the device is restarted.

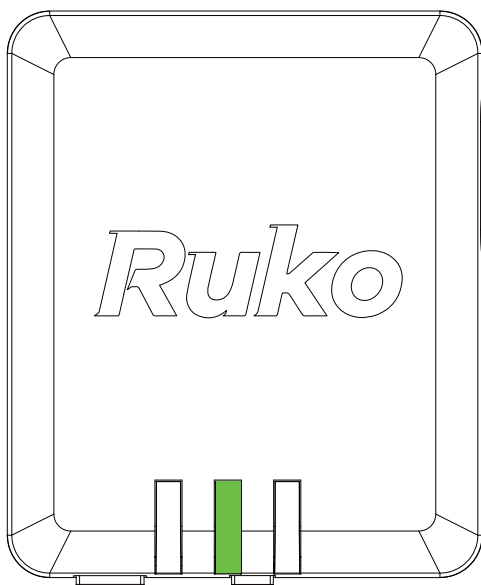
4.RID Module Installation



5.RID Information Broadcasting

1. Search for GPS signal outdoors (90-120s).

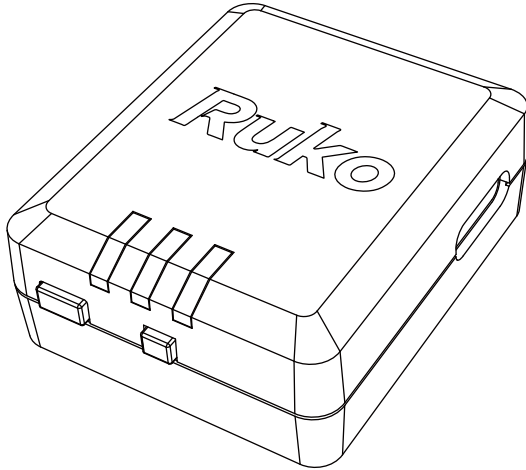
2.Broadcast Information:



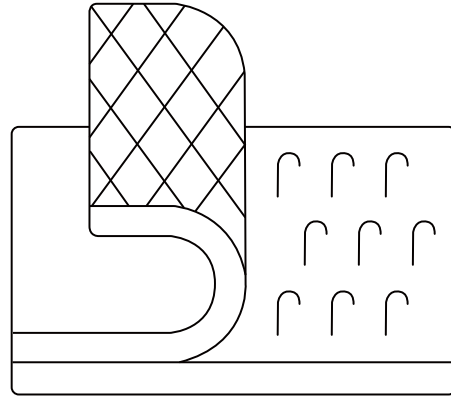
← 18696000001	
LOCATION	
Status Ground	Heading Track
Distance from me 13.6m	Location 22.6296,114.0672
Height 0.5m	Height Type Take off
Altitude Press. 208.0m	Altitude Geod. 213.0m
Horizontal Speed 0.00m/s	Vertical Speed 0.00m/s
Horizontal Accuracy <30m	Vertical Accuracy <45m
Speed Accuracy <1m	Baro Accuracy <45m
Time Accuracy <=1.0s	
OPERATOR	
Operator ID	
Distance from me 0.0m	Location 0.0000,0.0000
Altitude Geod. 0.0m	Location Type Takeoff

2 Product Introduction

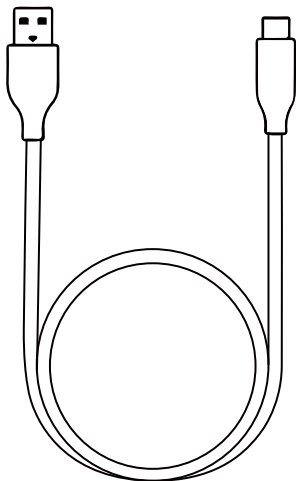
2.1 Product List



1. RID Module



2. Velcro



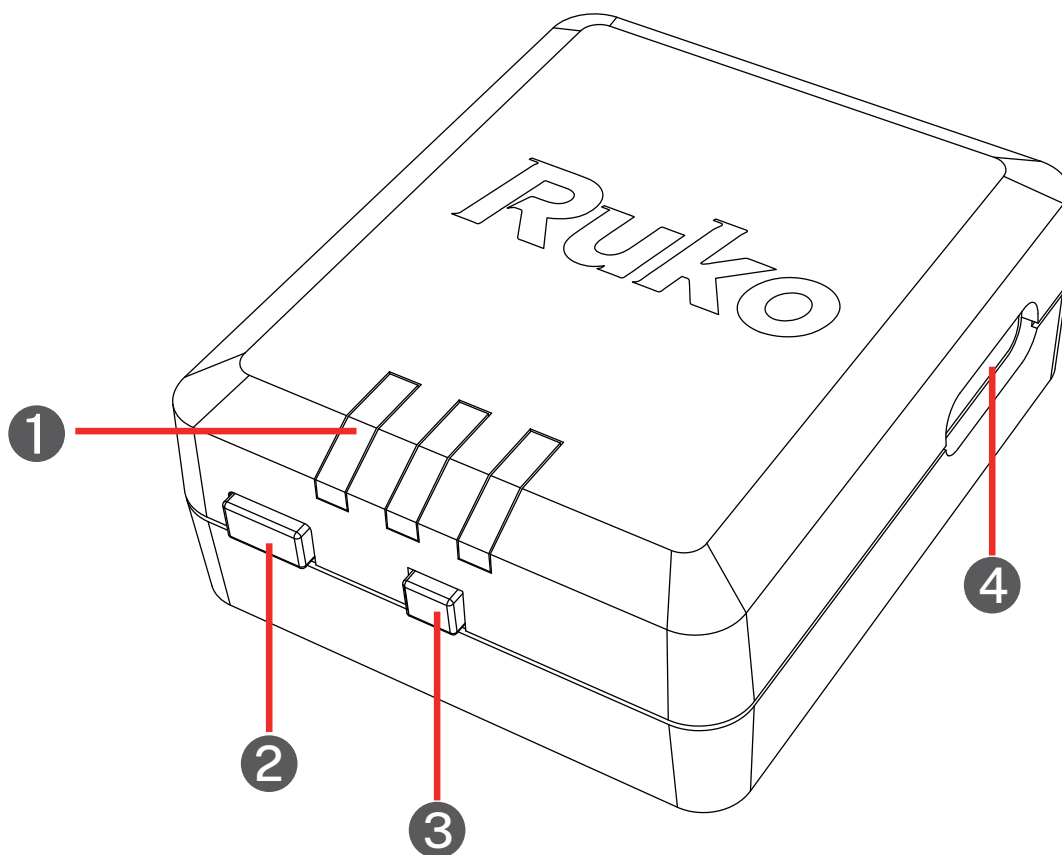
3. Charging Cable



4. Instruction Manual

2.2 Product Appearance

- The Ruko R111 is a small, lightweight external remote ID broadcast module that allows you to repeatedly change the settings to bind other drone device, which needs remote ID broadcast module requirement.

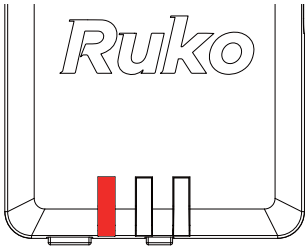
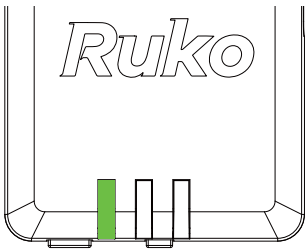
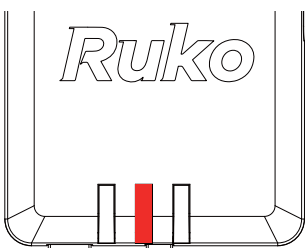
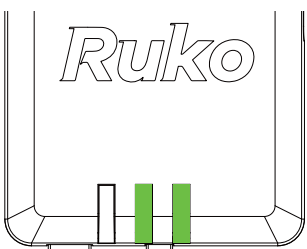
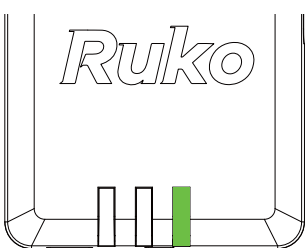


1.Indicator light

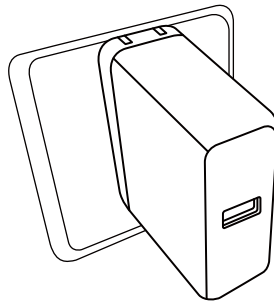
2.Switch

3.Setting

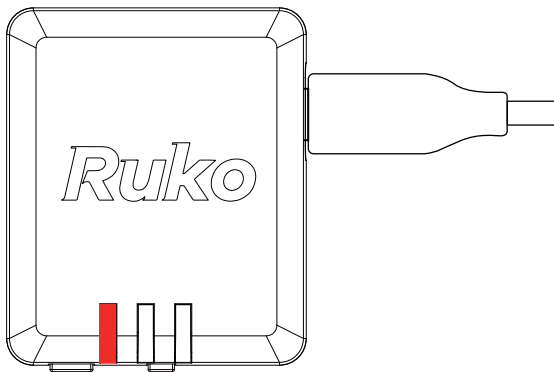
4.Charging Port

Icon	Icon Name	Notes
	Charging Indicator	Indicator turns red when charging
	Charging Indicator	Indicator turns green when fully charged
	Low Battery Indicator	Red light blinks when in low battery.
	Working Indicator	Star-searching Status: The indicator lights up and flashes in turn after powering on. Star-searching Completed Status: the middle light is always on, the right light flashes.
	Setting Indicator	Enter Setup: Green light is always on. Setup Succeeded: Green light flashes quickly.

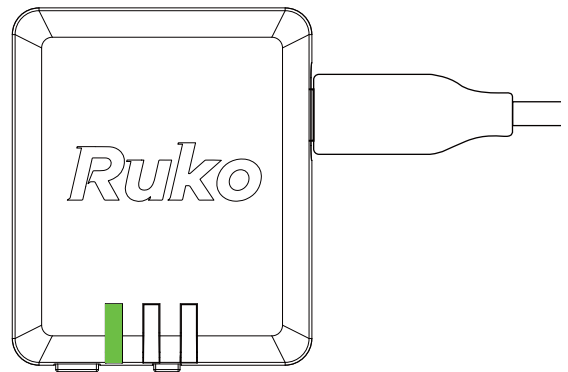
2.3 Product Charging



Adapter: 5V/3A (Not Included)



(Charging)



(Charging finished)

- Please be sure to fully charge it before each use:
 1. Please use 5V/2A-3A USB charging plug.
 2. In the charging state, the indicator will be in red light. When the indicator turns green, it means charging completed.
 3. After charging is completed, please remove the charger in time.
 4. When using 5V/2A charging plug, it may take about 40 minutes to complete charging.

3 Ruko Scanner App

3.1 Ruko Scanner Download

- Scan the QR code to get the download link.
- Connect the Ruko Scanner App to use R111 remote ID module.
- The App supports Android 6.0 and above, iOS 10.0.2 and above.



(iOS)



(Android)

⚠ Notes on App download:

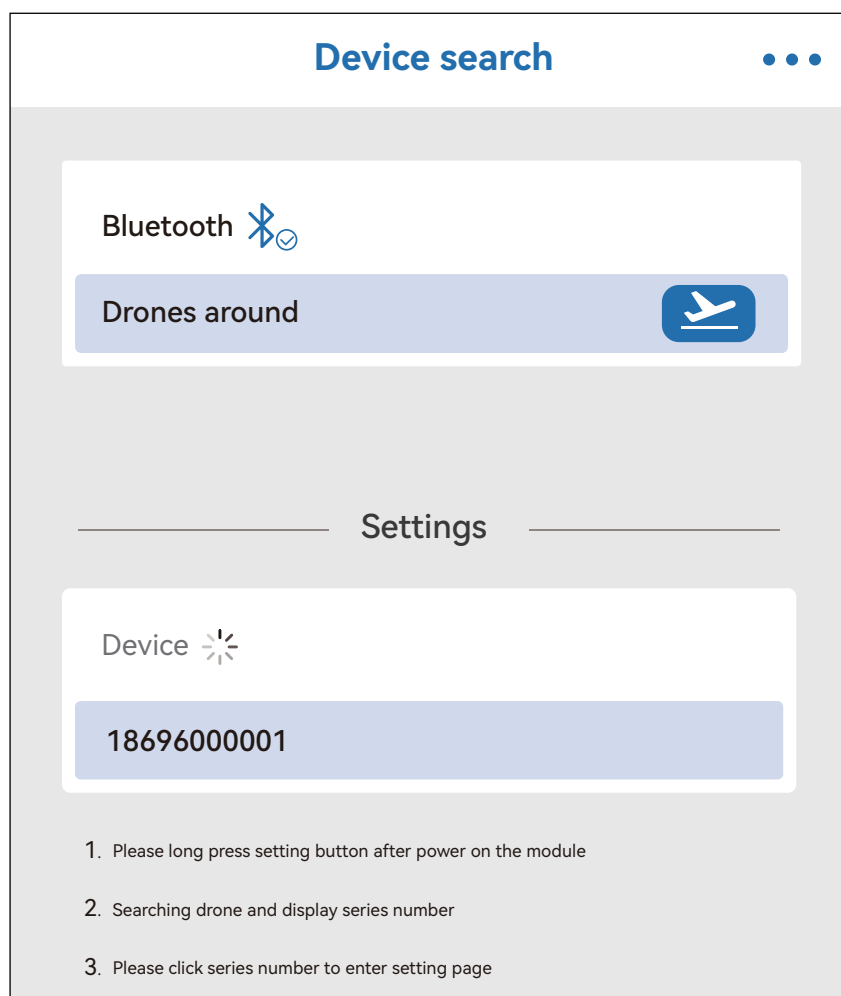
- You can search for Ruko Scanner on Google and Apple stores to download it.
- Scan the QR code to download: Android phones need to scan the camera scanning function on the browser to download.




3.2 Video Tutorials

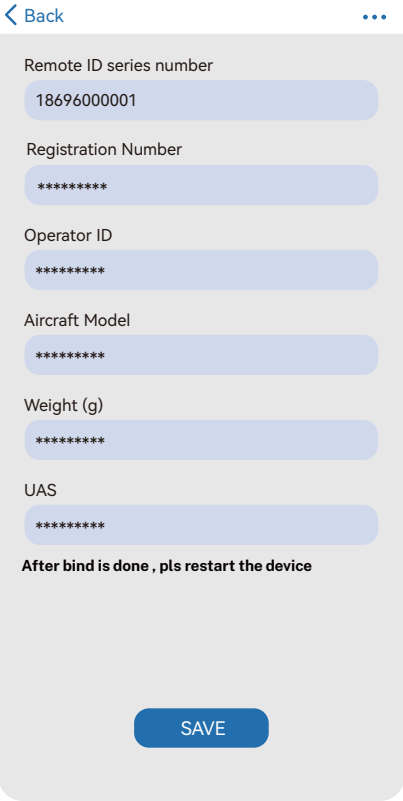

- According to the corresponding aircraft, visit the link or scan the QR code below to locate the model to watch tutorial videos or get more technical support, which how to use the aircraft safely.



3.3 Ruko Scanner Interface



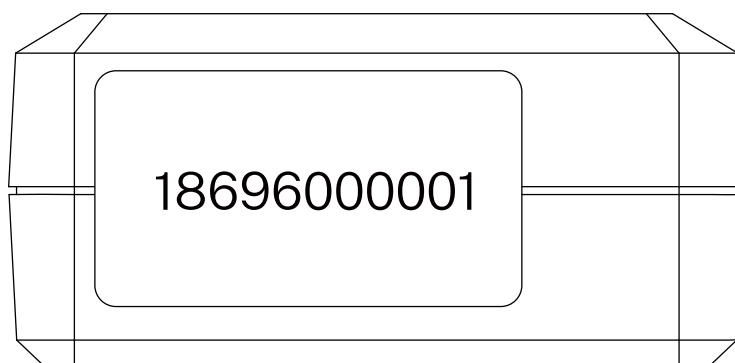
Icon	Icon Name	Display Information
	Remote ID Search Bar	Display remote ID broadcast serial number. (Click the serial number + long press the module setting button to enter the interface of Information Editing Bar)
	Operation Guide Bar	Instruction / Video provide the operation guide.
	Drones around Bar	Click it to enter the Surrounding Drones Interface to view the information of surrounding drones.

Icon	Icon Name	Display Information
	Information Editing Bar	Edit the related registration information of your drone.
	Surrounding Drones Interface	Display the serial number information of surrounding drones.

4 RID Module Usage

4.1 RID Serial Number Registration

- In order to comply with FAA Declaration of Compliance, the Remote ID Module serial number must be registered with the FAA website. The serial number is available on the device case sticker or on the Ruko Scanner App.

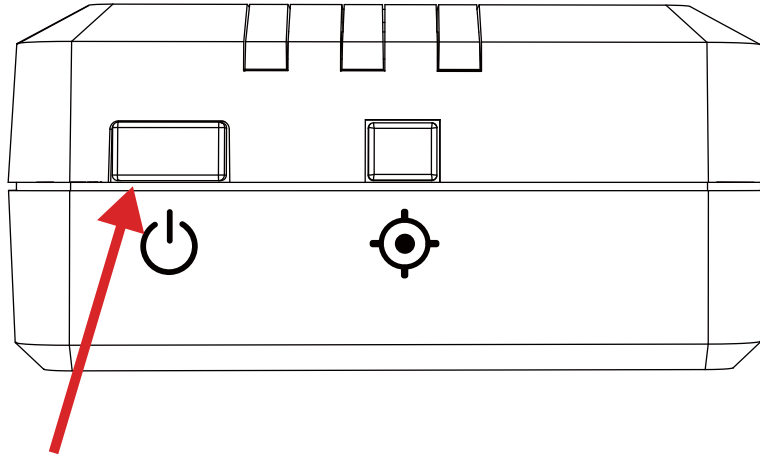


FAA Registration Steps:

1. Log on to the FAA Drone Zone website:
<https://faadronezone-access.faa.gov>
2. Register or login to FAA Drone Zone.
3. Add a service "SELECT DRONE OWNERS AND PILOTS SERVICE".
4. Enter "LAUNCH DRONE OWNERS AND PILOTS DASHBOARD" and select "SET UP PART 107 ACCOUNT" and register your personal information account.
5. Select "MANAGE DEVICE INVENTORY" under "Inventory" in the "Part 107 Dashboard".
6. Under "Your Shopping Cart", select "ADD DEVICE".
7. In the Add Device, follow the guidelines below to make your selection:
 - ① In the Add Device directory, select "Yes" for "DOES YOUR DRONE BROADCAST FAA REMOTE ID INFORMATION?";
 - ② Select "Remote ID Broadcast Module" for "UAS TYPE";
 - ③ Fill in "Ruko" for "UAS MANUFACTURER";
 - ④ Fill in the corresponding "R111" for "UAS MODEL";
 - ⑤ "REMOTE ID SERIAL NUMBER" can be obtained from the sticker on the device case or from the Ruko Scanner App;
 - ⑥ After filling in, select "ADD DEVICE".
8. Return to "Your Shopping Cart" interface, select "CHECKOUT" and fill in "Payment Information" to finalize the payment.
9. The electronic version of the registration certificate will be sent to the personal account via Email, download and save it.

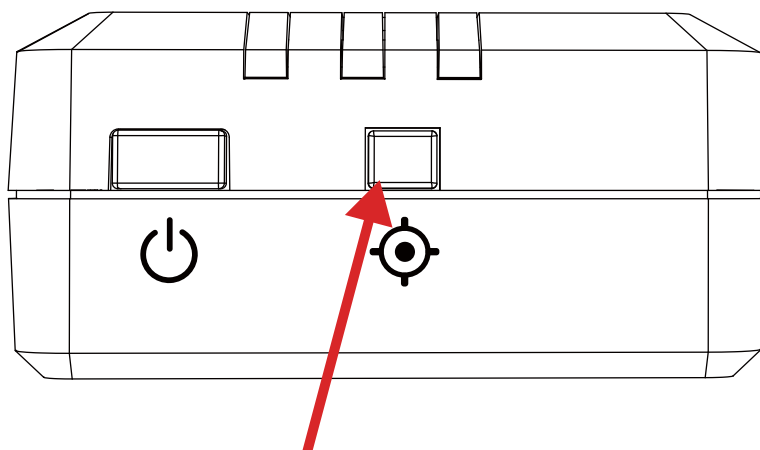
4.2 Drone Information Binding

1. Turn on the remote ID module: press and hold the switch for 3 seconds until the indicator lights up.



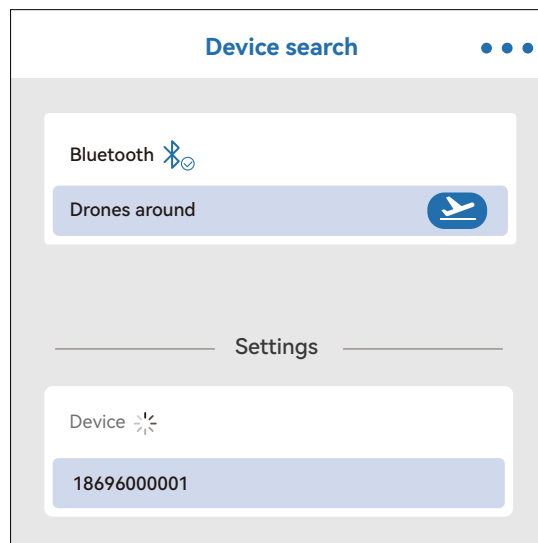
Long press for 3 seconds

2. Press and hold the device setting button. The light on the right side will stay on and the device will enter the setting mode.

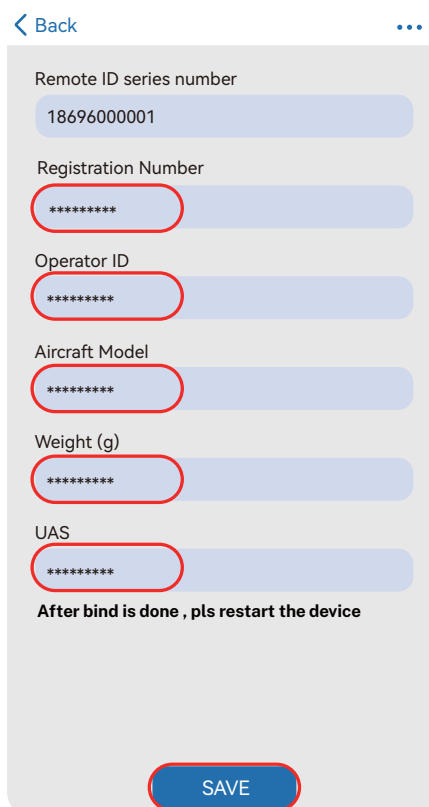


Long press for 3 seconds

3. Enter Ruko Scanner App (using this App requires turning on the Bluetooth function of your phone).



4. Tap the device ID found and enter the Settings of the App.
5. Input the information of the device and save it, the rapid blinking of the light on the right side of the device indicates that the binding is successful.



< Back

Remote ID series number
18696000001

Registration Number

Operator ID

Aircraft Model

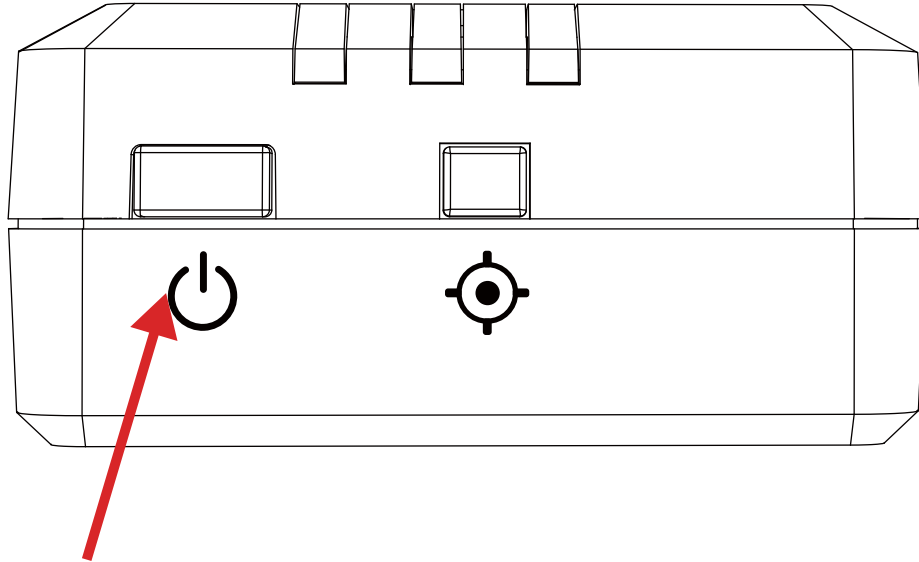
Weight (g)

UAS

After bind is done , pls restart the device

SAVE

6.Restart the remote ID module.

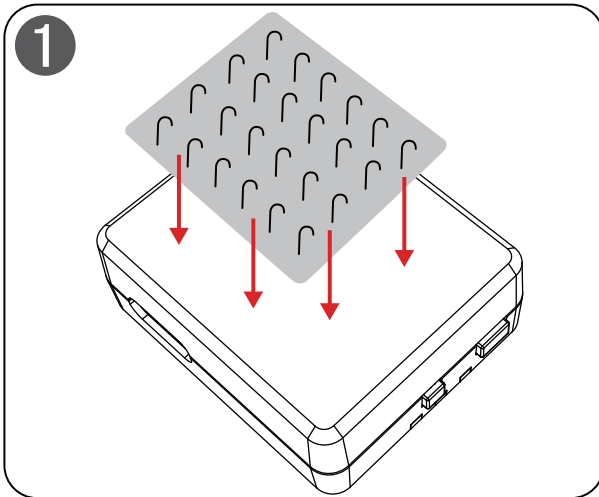


Long press for 3 seconds

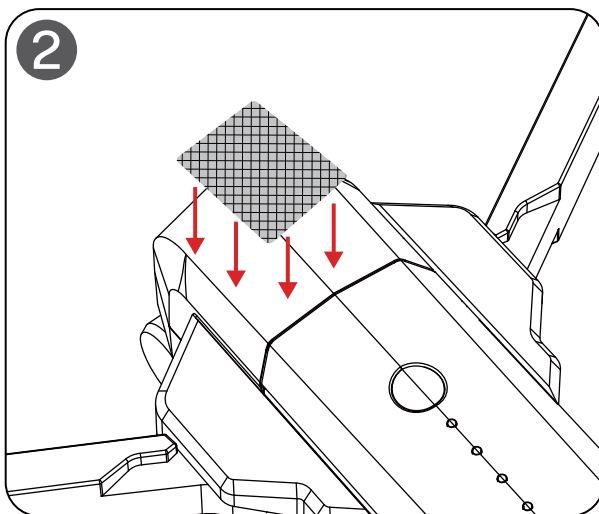
- Power off: Long press the switch for 3 seconds until the indicator light goes out.
- Note: After setting the information, restart the device to work properly based on the latest binding information.

4.3 RID Module Installation

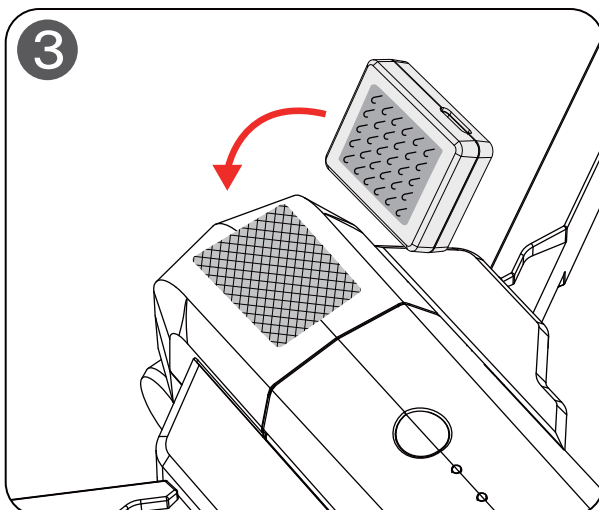
- The R111 is equipped with Velcro. It can be fixed by Velcro or other means.



1. Attach one Velcro to the RID module;



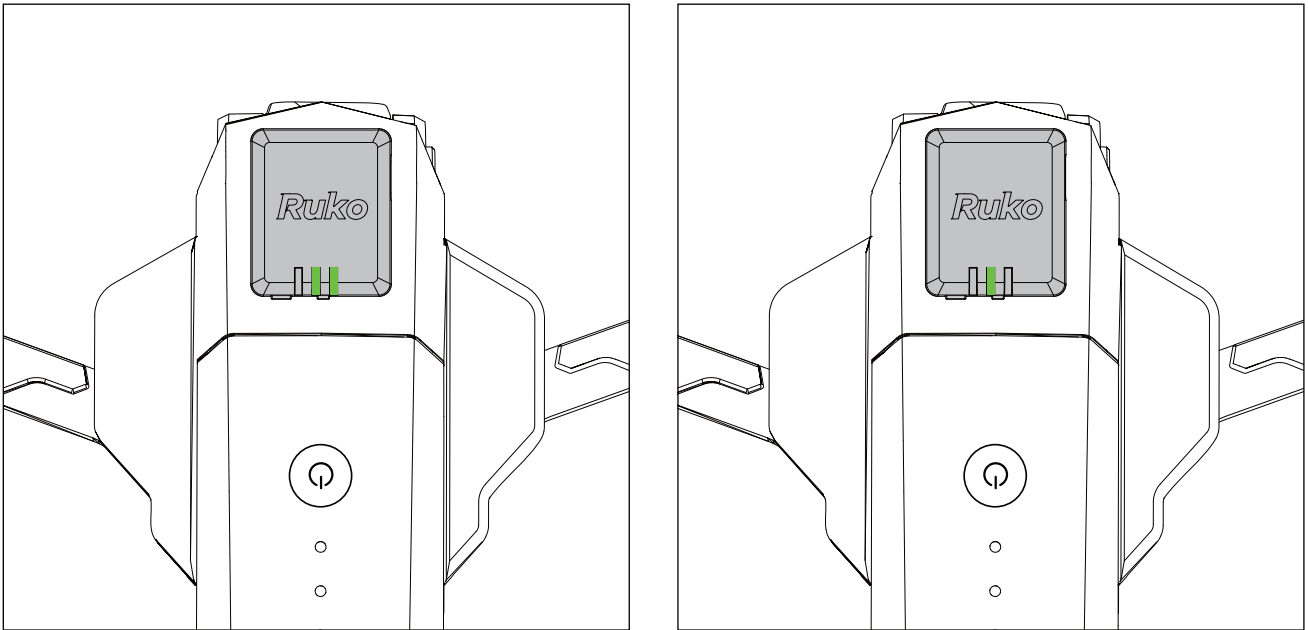
2. Attach the other Velcro to the drone;



3. Attach the RID module to the drone.

4.4 RID Information Broadcasting

1. The RID module can send broadcast information normally only when the GPS signal is found outdoors.
Search time: 90-120s (depending on the environment).



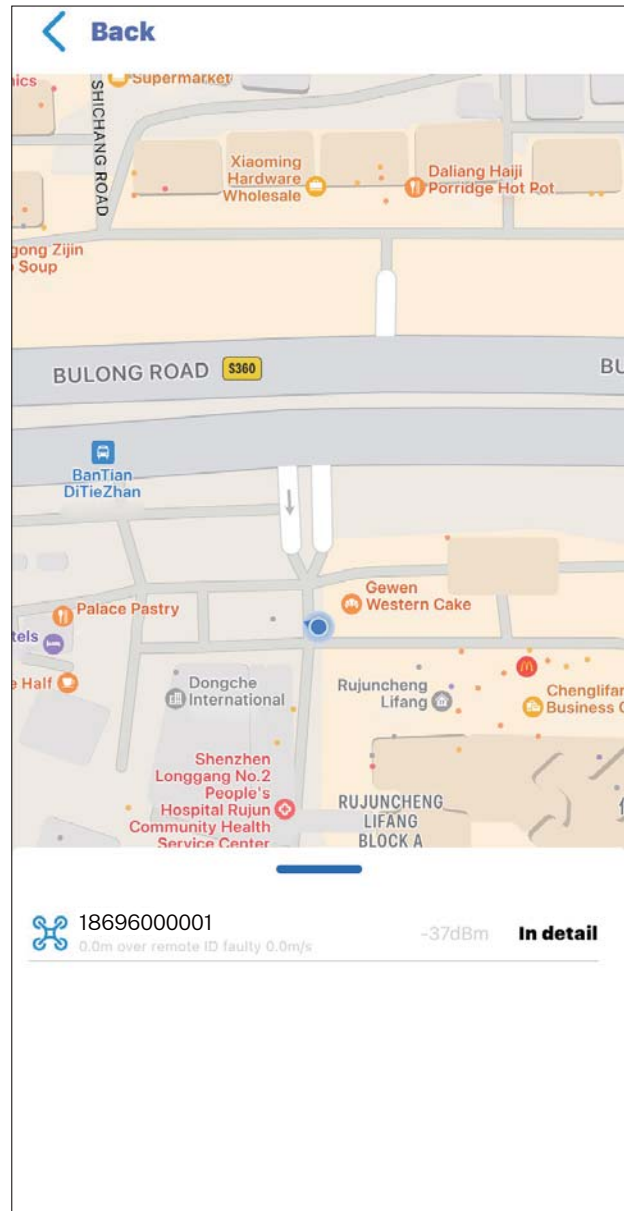
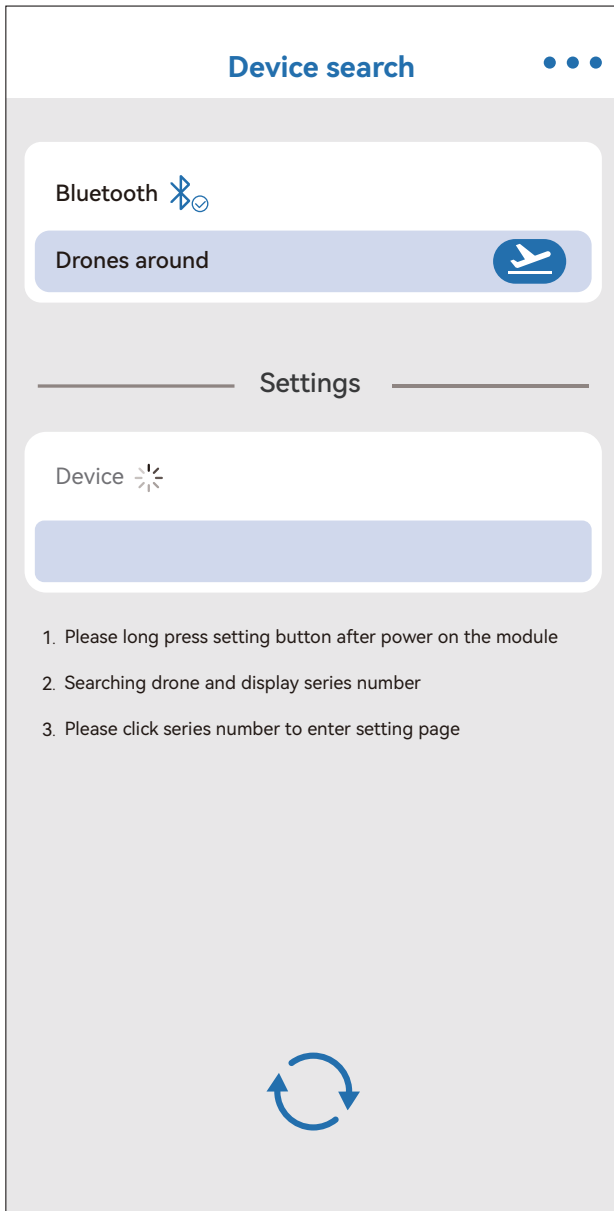
- GPS search in progress: Lights flash in turn
- GPS search completed: center light steady on, right light flashing

**Attention:**

- Be sure to know the location of the drone's GPS module well to avoid the RID module blocking the drone's GPS, resulting in the drone not being able to search for GPS signals properly.
- Be sure to install the RID module firmly with the drone and safely avoid the blades of the drone to avoid the blades hitting the RID module.
- The RID module needs to be installed in an unobstructed place to avoid blocking the GPS signal of the RID module, resulting in the inability to search the GPS signal and broadcast data normally.

4.5 Broadcast Data Viewing

1. Enter the App;
2. Click to view data on surrounding drones:



3.Data Viewing:

← 18696000001

LOCATION

Status Not	Heading Track 0°
Distance from me 0.0m	Location 0.0000,0.0000
Height 0.0m	Height Type Take off
Altitude Press. 0.0m	Altitude Geod. 0.0m
Horizontal Speed 0.00m/s	Vertical Speed 0.00m/s
Horizontal Accuracy Unknown	Vertical Accuracy Unknown
Speed Accuracy Unknown	Baro Accuracy Unknown
Time Accuracy Unknown	

OPERATOR

Operator ID

Distance from me 0.0m	Location 0.0000,0.0000
Altitude Geod. 0.0m	Location Type Takeoff

GPS signal data not found

← 18696000001

LOCATION

Status Airborne	Heading Track 82°
Distance from me 198.2m	Location 22.6228,114.0773
Height 107.0m	Height Type Take off
Altitude Press. 253.5m	Altitude Geod. 207.0m
Horizontal Speed 6.50m/s	Vertical Speed 0.00m/s
Horizontal Accuracy <30m	Vertical Accuracy <45m
Speed Accuracy <1m	Baro Accuracy <45m
Time Accuracy <=10s	

OPERATOR

Operator ID
OPRID0123456789

Distance from me 3.1m	Location 22.6226,114.0753
Altitude Geod. 90.0m	Location Type Takeoff

Data broadcast normally

5 Specification

- Model: R111
- Working Mode: Bluetooth4 / Bluetooth5
- Charging Time: About 40 minutes
- Battery Capacity: 150mAh
- Operating Voltage: 3.7V
- Product Size: 38*34*13.5 mm / 1.50*1.34*0.53 in
- Product Weight: About 13.5g / 0.47oz

6 Common Problems and Solutions

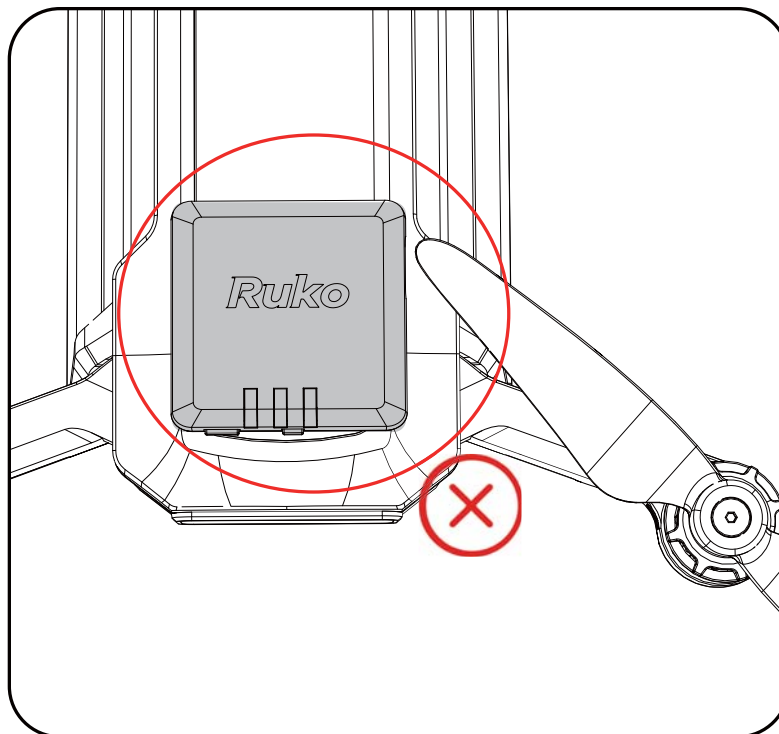
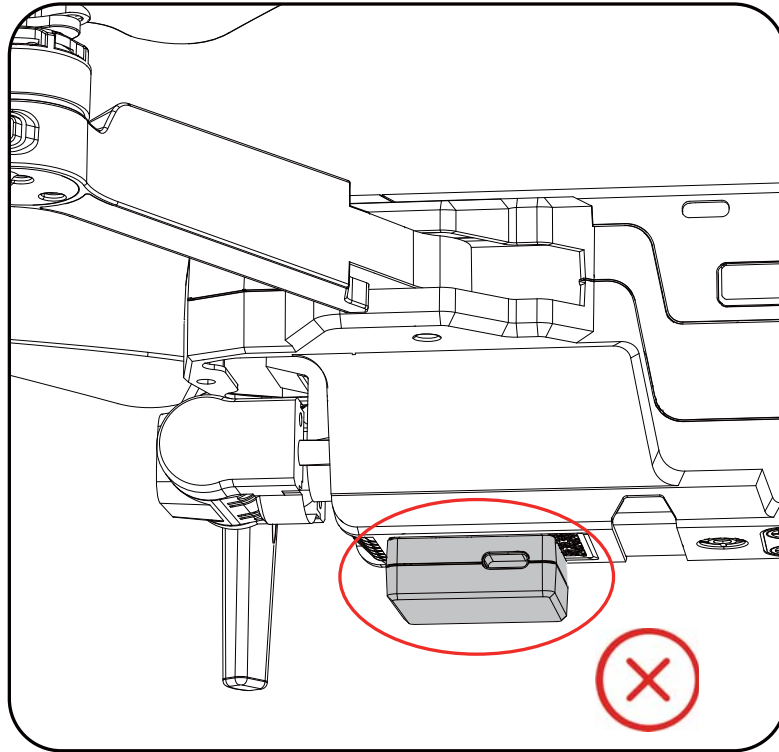
Problems	Reasons	Solutions
Failed to bind the RID module to the drone	Did not set correctly	Reset
	Did not restart the device	Restart the device and retry
The RID module cannot broadcast data properly	No GPS signal found	Wait for the signal search to complete
	The fixed position of the RID module blocks the GPS signal	Change the position of the RID module
Drone GPS signal search failed	The fixed position of the RID module occludes the GPS module of the drone	Change the position of the RID module
The App cannot search for RID module serial number	Mobile phone Bluetooth permission is not enabled	Turn on Bluetooth permission and refresh the search list

7. Safety Precautions



1. Please read the entire manual before the operation to familiarize yourself with the functions of the product.
2. Improper operation of the product may result in damage to the product, personal property and serious injury.
3. It must be operated with caution and common sense, and some basic mechanical ability is required.
4. Failure to handle this product in a safe and responsible manner may result in personal injury or damage to the product or other property.
5. This product is not suitable for use by children without direct adult supervision.
6. Do not enhance the product by disassembling, using incompatible components, or in any other ways.
7. All instructions and warnings in the manual must be read and followed before assembly, setup or use in order to operate correctly and avoid damage or serious injury.

- Note: This product is suitable for use in consumer-grade drones. RUKO does not assume any responsibility for any damage to drones or other equipment during use, except for the remote ID module.



8. FCC Warning

- NOTE: This equipment has been tested and found to comply with the limits for a Class B digital device, pursuant to part 15 of the FCC Rules. These limits are designed to provide reasonable protection against harmful interference in a residential installation. This equipment generates, uses and can radiate radio frequency energy and, if not installed and used in accordance with the instructions, may cause harmful interference to radio communications. However, there is no guarantee that interference will not occur in a particular installation. If this equipment does cause harmful interference to radio or television reception, which can be determined by turning the equipment off and on, the user is encouraged to try to correct the interference by one or more of the following measures:
 - Reorient or relocate the receiving antenna.
 - Increase the separation between the equipment and receiver.
 - Connect the equipment into an outlet on a circuit different from that to which the receiver is connected.
 - Consult the dealer or an experienced radio/TV technician for help

- Changes or modifications not expressly approved by the party responsible for compliance could void the user's authority to operate the equipment.

This device complies with Part 15 of the FCC Rules.

Operation is subject to the following two conditions:

(1) this device may not cause harmful interference, and (2) this device must accept any interference received, including interference that may cause undesired operation.



rukotoy.com

CONTACT US FOR MORE TECH SUPPORT

 +1 (888)892-0155 | Mon-Fri 7:00AM - 7:00PM (PST)

 +1(732)207-0697

