

Shantou Deli Co., LTD

Antenna specification acknowledgement

## Antenna Specification for Approval

客户名称

**Customer Name:** Shantou double eagle toy Industrial Co., LTD

产品名称:

**Product Name:** The 2.4G antenna is 35mm long

客户型号:

**Product Name:** \_\_\_\_\_

产品料号:

**Part NO.:** C10-35-2.5

制表:

**Write By:** Yue Tianpeng

日期:

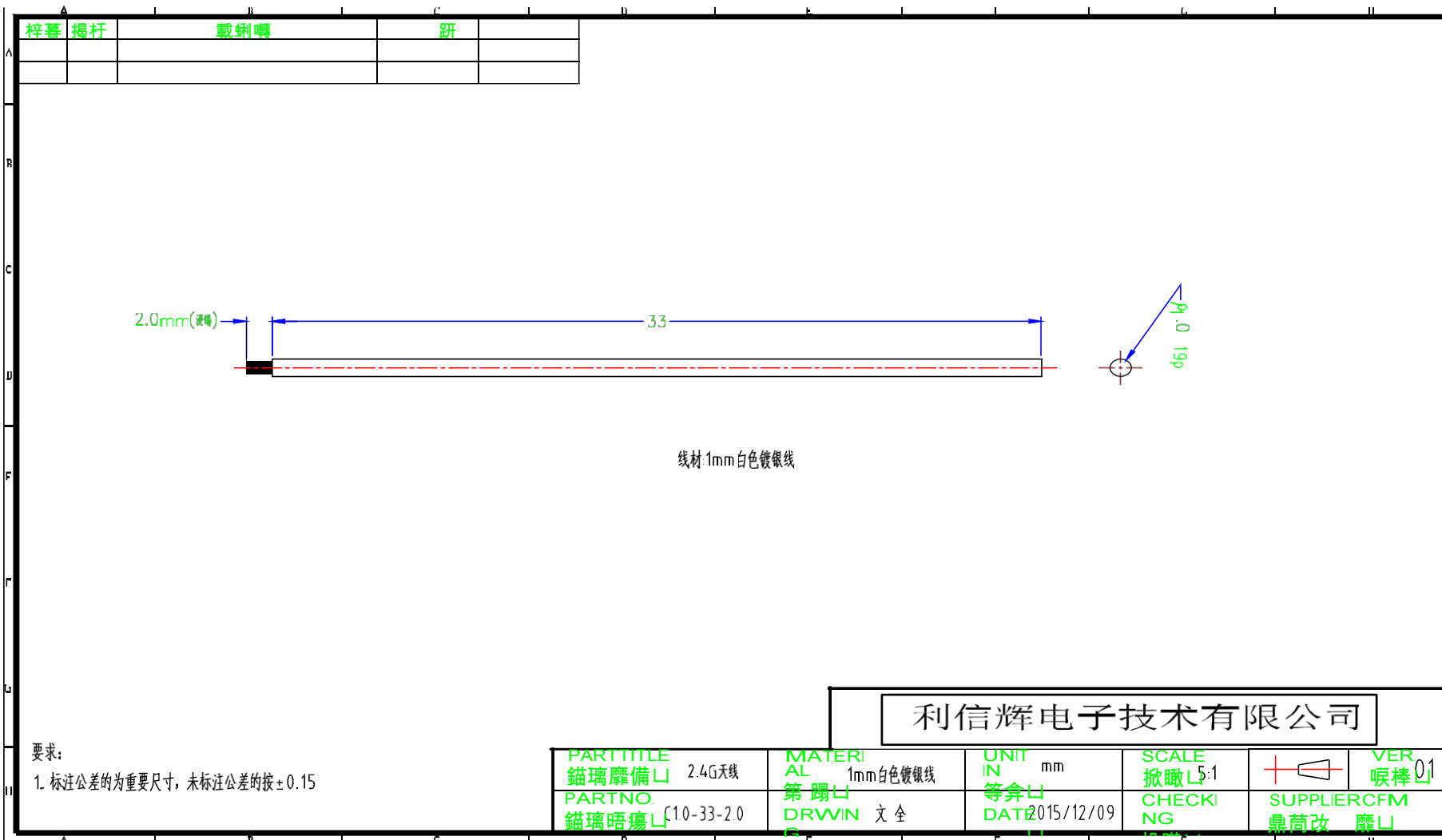
**Issued Date:** 2021-10-20

### Guest household:

工程 R&D Dept	采购 Business Dept	承认 Approved By

triskaido

研发 R&D Dept	工程 Engineer Dept	审核 Approval



# Product Specification

## A. Electrical Characteristics

**Frequency 2400MHz ~2500MHz**

**VSWR <3.0**

**Efficiency >30%**

**Impedance 50 Ohm**

**Polarization Line**

**Gain 0.17DBi**

## B. Material & Mechanical Characteristics

**Material of Radiator Cu**

**Cable Type 1.0 19P 黑色**

**Connector Type : NO**

**Dimension**

## C. Environmental

**Operation Temperature - 30 °C ~ + 80 °C**

**Storage Temperature - 30 °C ~ + 85 °C**

## Test Equipment & Conditions

### 1. Network Analyzers :

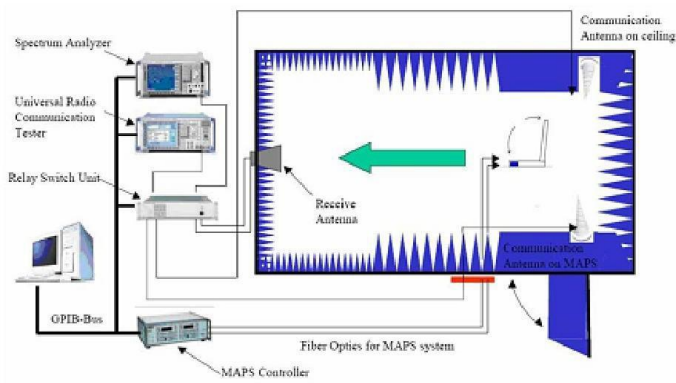
Agilent 8753D 5071B

### 2. Communications Test Set:

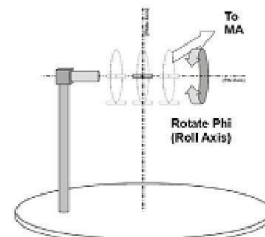
Agilent E5515C

### 3. 3D Chamber Test System

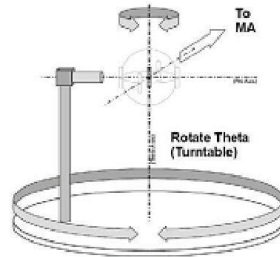
# Efficiency & Gain



(Testing by 3D anechoic chamber)



Phi axis test

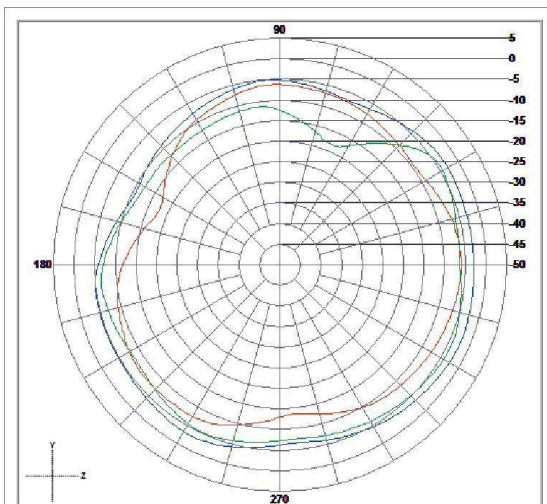


Theta axis test

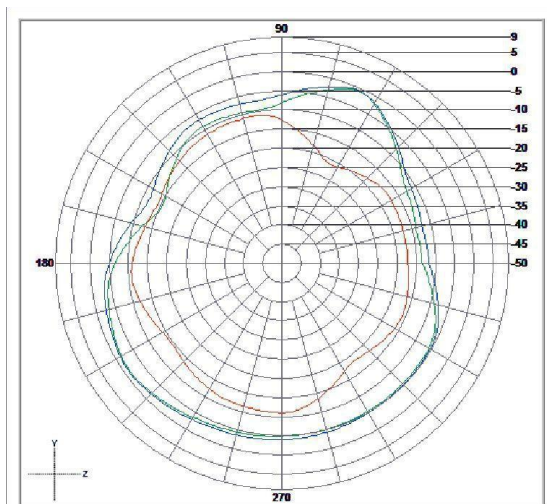
# Efficiency & Gain

2.40	-0.00
2.440	-0.11
2.48	-0.13

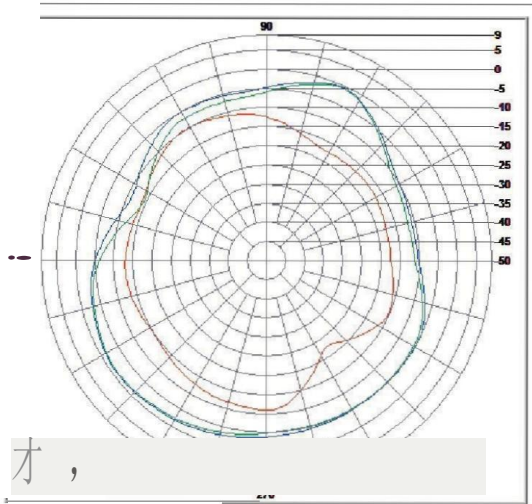
# Radiation Pattern:



	Vertical	Horizontal	Total
Avg. Gain	-8.4	-6.99	-4.63
Peak Gain	-5.48	-3.77	-2.17



	Vertical	Horizontal	Total
Avg. Gain	-13.34	-5.06	-4.46
Peak Gain	-10.3	0.09	0.12



	Vertical	Horizontal	Total
Avg. Gain	-13.42	-4.6	-4.06
Peak Gain	-9.47	0.1	0.17

