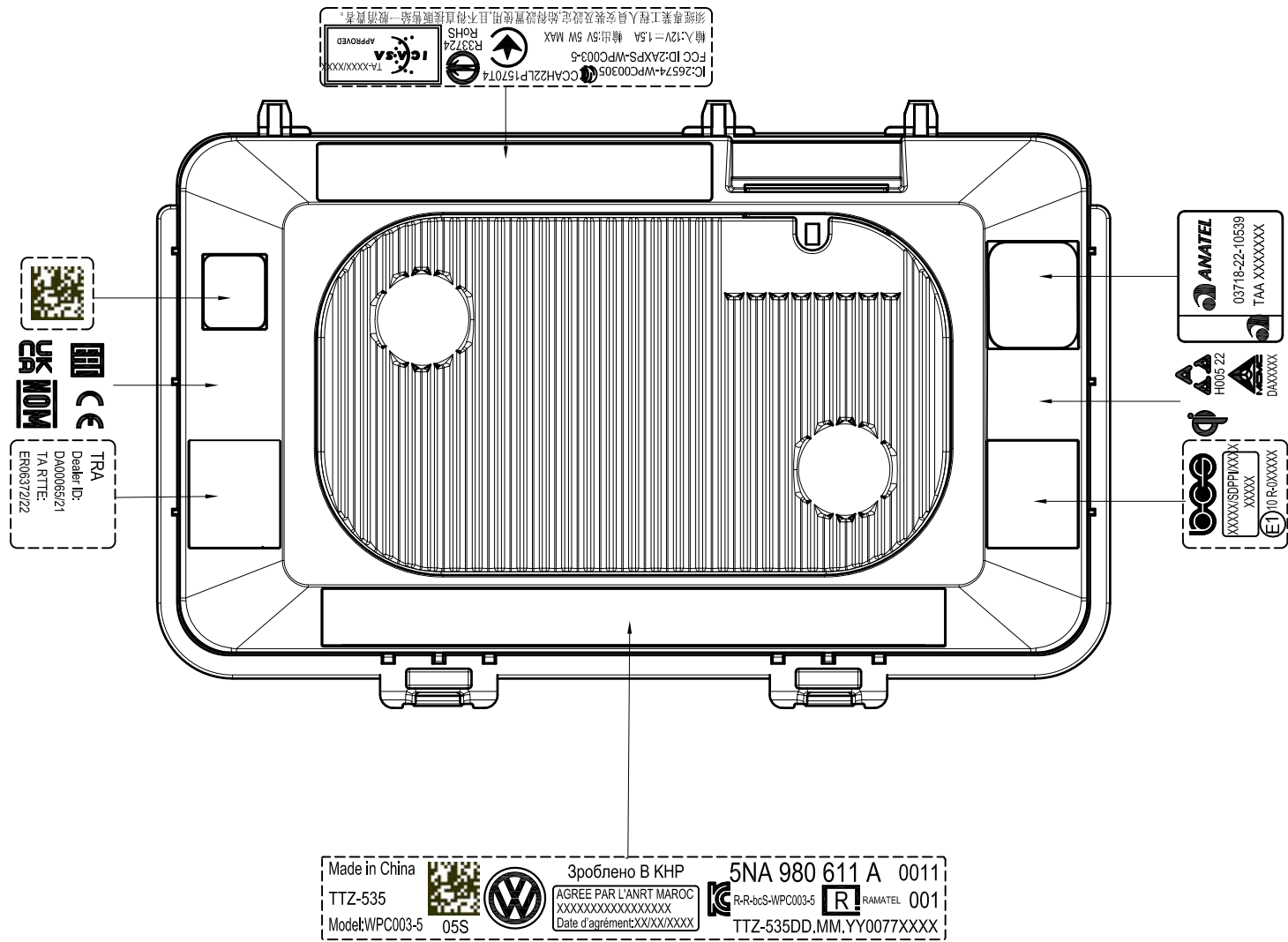


PAPIERKOPIEN UNTERLIEGEN NICHT DEM ÄNDERUNGSDIENST
PRINTED COPIES ARE UNCONTROLLED



UK 认证号没有取得前不可镭雕在产品上

- 技术要求:
- 镭雕笔迹清晰易辨, 二维码易扫描;
 - 大众LOGO尺寸使用8mm直径;
 - 文字参考字体Arial Narrow, 字高度清晰可见;
 - 二位码码制Data Matrix ECC200.

A	-	RELEASE FOR PRODUCTION	ECO	DD/MMM/YYYY	DESIGNER	16/JUL/2021
---	---	------------------------	-----	-------------	----------	-------------

©BCS AUTOMOTIVE INTERFACE SOLUTIONS
 THIS DRAWING AND THE DESIGNS AND DATA DEPICTED IN IT ARE THE CONFIDENTIAL PROPERTY OF BCS AIS AND ITS SUBSIDIARY COMPANIES, WHO RESERVE ALL RIGHTS THEREIN. BY ACCEPTING THIS DRAWING, THE RECIPIENT AGREES NOT TO COPY, USE, MANUFACTURE, OR COMMUNICATE TO OTHERS, WHOLLY OR IN PART, EITHER THIS DRAWING OR THE DESIGNS OR DATA DEPICTED IN IT EXCEPT AS EXPRESSLY AUTHORIZED IN WRITING BY BCS AIS OR THE BCS SUBSIDIARY DELIVERING THIS DRAWING.

RELEASE	NAME - SITE	DD-MMM-YYYY
DESIGNER	Xinxiang Huang-Suzhou	16-JUL-2021
ENGINEER	Xinxiang Huang-Suzhou	

CAD SYSTEM: UG NX

Luxshare AUTOMOTIVE INTERFACE SOLUTIONS

ALLOWABLE DEVIATION OF DIMENSIONS WITHOUT TOLERANCES		1st ANGLE PROJECTION	UNLESS OTHERWISE SPECIFIED DIMENSIONS ARE IN MILLIMETERS
LENGTH	TOL	 METHODE-ISO/R128	
<=5	±0.10		
5<=10	±0.15		
10<=30	±0.25		
30<=70	±0.35		
70<=120	±0.45		
120<=200	±0.60	ANGLE TOL ±1°	PREPARED IN ACCORDANCE WITH DIN EN ISO 8015
>200	±0.80	WEIGHT OF PART	
		g	

PART NAME & LUXSHARE P/NO.
 USB
 LUXSHARE P/NO.:

LAST USED (XX)	DRAWING NUMBER XXXXXX		
PART SUPERSEDES X	SHEET NUMBER 1 OF 1	FORMAT A3	REV. A