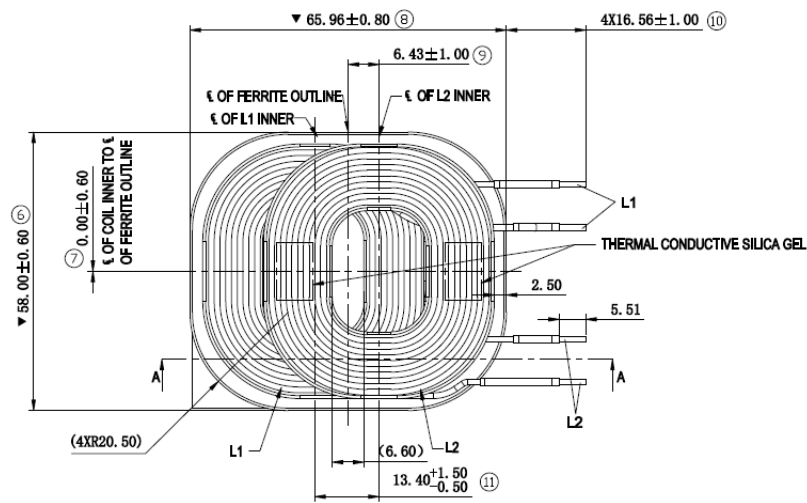


无线充电 Coil 天线规格书

1、天线参数:

| Item | Specification |
|--------------------------|--|
| Operating Frequency(MHz) | 0.1277 |
| Operating temperature | -40°C ~ +105°C |
| Storage temperature | -40°C ~ +125°C |
| Modulation | FSK |
| Brand | Luxshare |
| Antenna Model | MP-A27 |
| Manufacture | Luxshare-ICT |
| Address | THE intersection Between Xiyuan Road and Xigu Road,Songshuping village,Liujiaoting Sub-district,Enshi city,Hubei province, China |

2、天线照片：



NOTS:

- 1.L1=9.8UH \pm 10%; L2=10.2 \pm 10% (100KHz 1.0V);
- 2.DCR1: 60M Ω MAX; DCR2=65M Ω MAX;
- 3.TURNS:L1=11TS \varnothing 0.06X200P; L2=12TS \varnothing 0.06X200P;
- 4.OPE. TEMP: -40 $^{\circ}$ C TO 105 $^{\circ}$ C; STORE. TEMP: -40 $^{\circ}$ C TO 125 $^{\circ}$ C;
- 5.OTHER: \varnothing 0.06X200P EQUIVALENT CROSS SECTION AREA: 0.567MM 2 (REF);
- 6.CORE 1=CORE 2, CORE MATERIAL : PC95;
7. TEMPERATURE RESISTANCE:
 COIL ADHESIVE : -55 $^{\circ}$ C-180 $^{\circ}$ C;
 DOUBLE COATED TISSUE TAPE: -55 $^{\circ}$ C-120 $^{\circ}$ C;