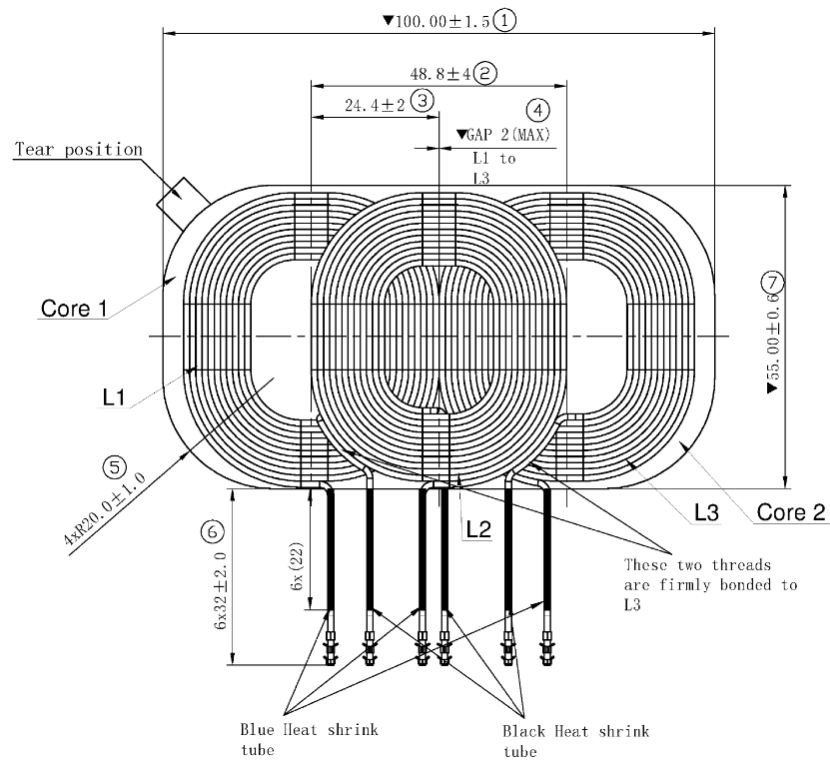


无线充电 Coil 天线规格书

1、天线参数:

Item	Specification
Operating Frequency(MHz)	0.1277
Operating temperature	-40°C ~ +105°C
Storage temperature	-40°C ~ +125°C
Modulation	FSK
Brand	3E
Antenna Type/Model	MP-A09
Manufacture	Shanghai 3E Electronic Technology Co., Ltd
Address	Rm118,Bld.20,No1-42,Lane 83,Hongxiang North Rd.,Wanxiang Town,Pudong New Dist.,Shanghai

2、天线照片：



NOTS:

1. L1=L3: $9.8\mu\text{H} \pm 10\%$; L2= $10.2\mu\text{H} \pm 10\%$ (100KHz1.0V) ;
2. DCR1=DCR3: $60\text{m}\Omega$ MAX; DCR2= $65\text{m}\Omega$ MAX;
3. L1=L3TURNS; 11TS $\varnothing 0.06 \times 200\text{P}$; L2=12TS $\varnothing 0.06 \times 200\text{P}$;
4. Ope. Temp: $-40\text{To}105^\circ\text{C}$; Store. Temp: $-40\text{To}125^\circ\text{C}$;
5. Other: $\varnothing 0.06 \times 200\text{P}$ Equivalent cross section area: 0.567 mm^2 (REF);
6. Core 1=Core 2, Core material: PC95;
7. Temperature resistance:
 - Coil adhesive: $-55^\circ\text{C}-180^\circ\text{C}$;
 - Double coated tissue tape: $-55^\circ\text{C}-120^\circ\text{C}$;