



Model o 2 wireless mouse S11 test report

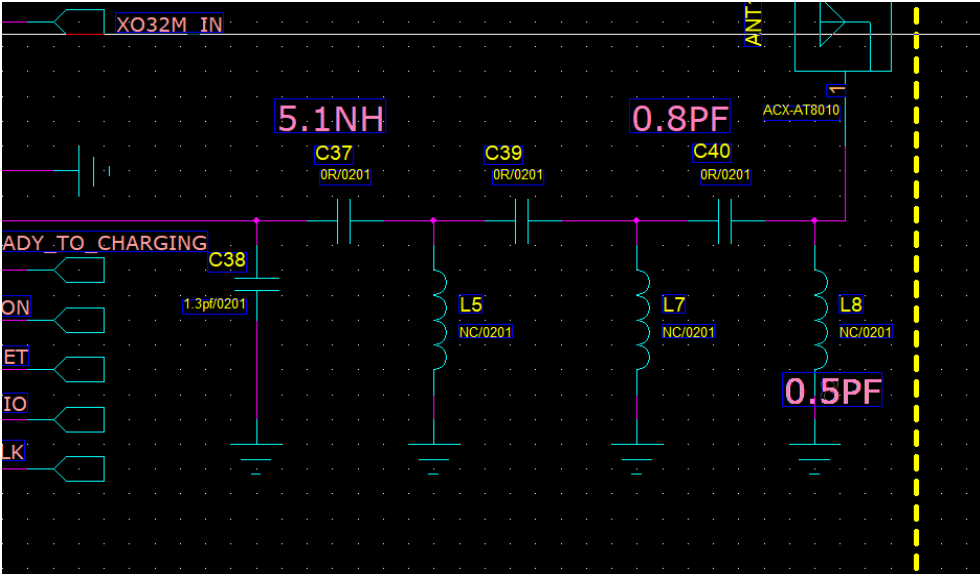
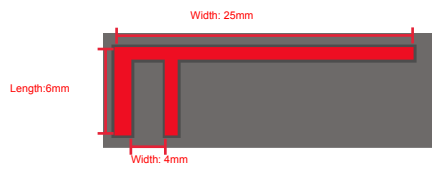
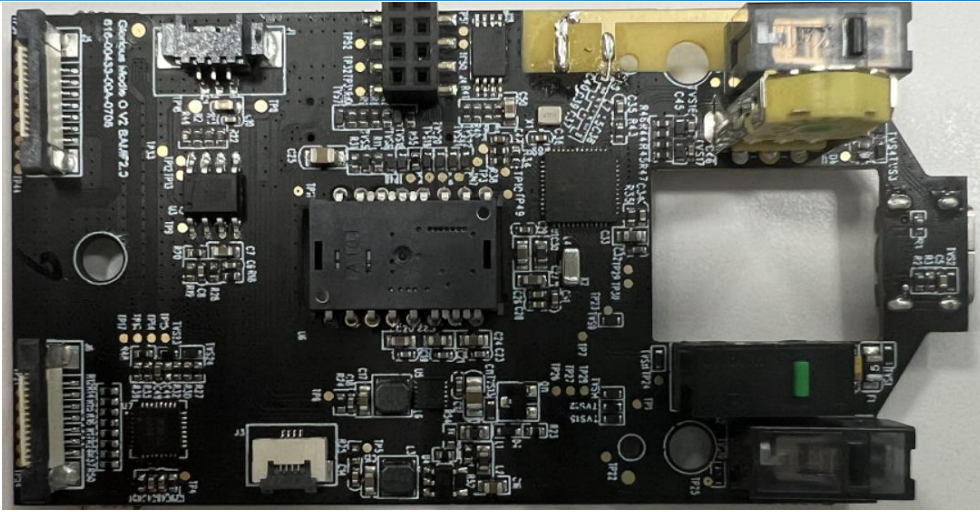
东莞市热动电子科技有限公司

DongGuan City Heatmoving Electronic Technology Co.,Ltd

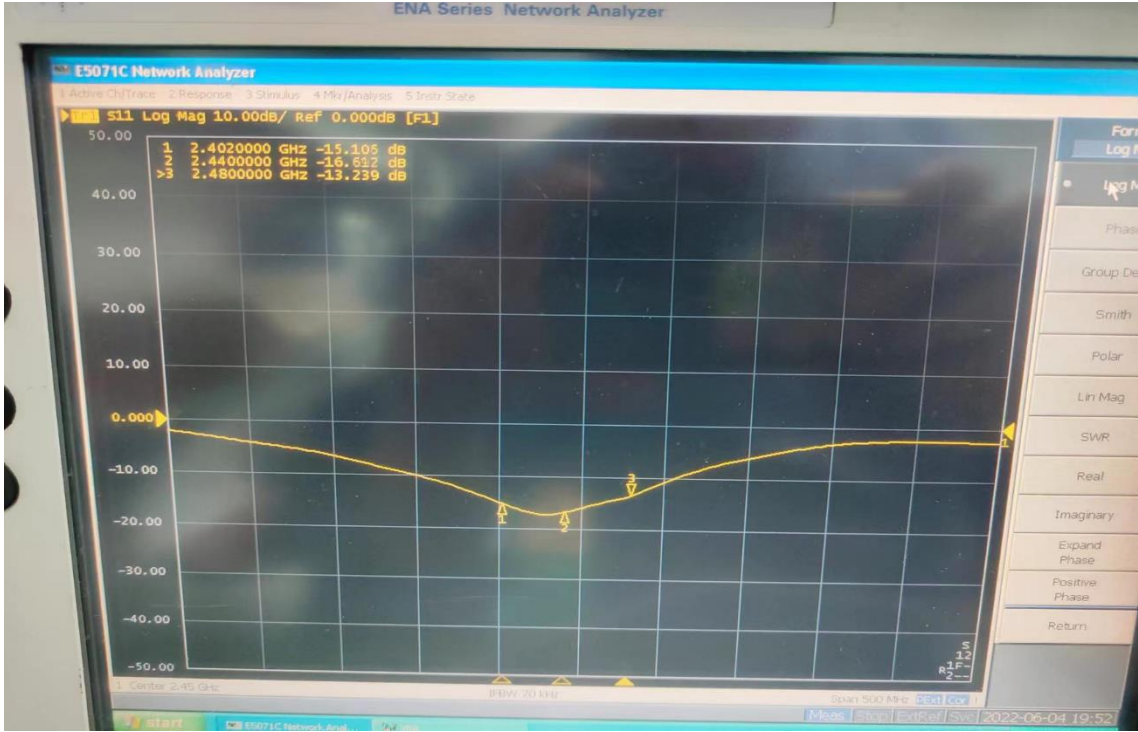
Prepared by: Heatmoving

Date: 2022/07/29

RF 参数:

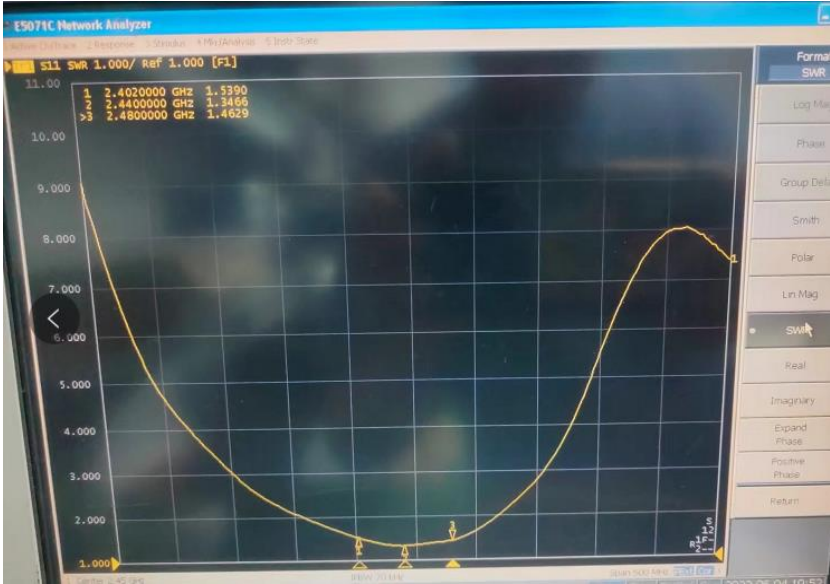


Return loss low :

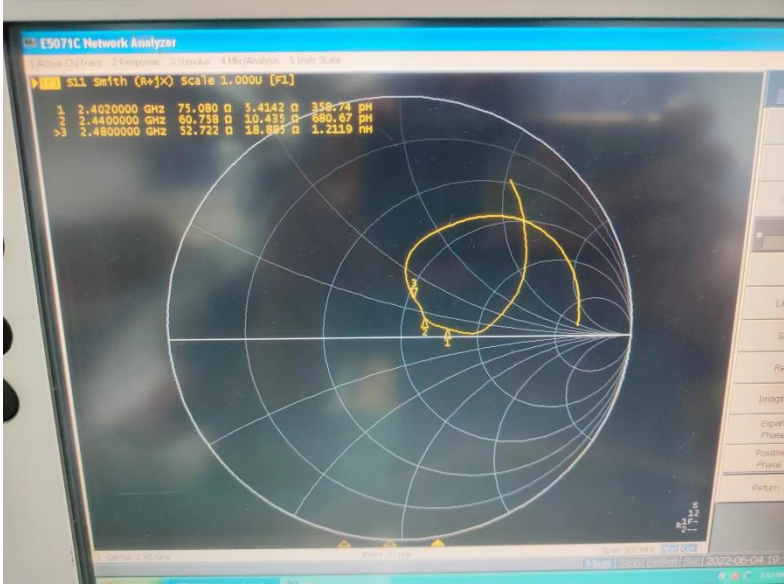


2.402GHZ	-15.105dBm
2.440GHZ	-16.612dBm
2.480GHZ	-13.219dBm

SWR:



2.402GHZ	1.5390
2.440GHZ	1.3466
2.480GHZ	1.4629



2.402GHZ	75.080
2.440GHZ	60.758
2.480GHZ	52.722

Antenna information:

Test Point ID	Freq. (MHz)	Gain (dBi)	Directivity (dBi)	Efficiency (%)	Efficiency (dB)	Max (dBm)	Theta of Max	Phi of Max	Min (dBm)	Theta of Min	Phi of Min	AVG (dBm)	Max/Min (dB)	Max/AVG (dB)	Min/AVG (dB)
1	2402.0	2.93	3.70	83.7%	-0.77	2.93	60	75	-11.01	150	225	-1.04	13.94	3.97	-9.97
2	2410.0	2.86	3.59	84.5%	-0.73	2.86	60	75	-10.92	150	225	-1.17	13.78	4.04	-9.75
3	2420.0	3.50	4.25	84.1%	-0.75	3.50	60	75	-10.38	15	15	-0.59	13.87	4.09	-9.78
4	2430.0	4.10	4.53	90.5%	-0.43	4.10	60	75	-10.02	15	15	-0.01	14.12	4.11	-10.01
5	2440.0	4.03	4.49	90.0%	-0.46	4.03	60	75	-9.92	15	15	-0.04	13.95	4.07	-9.88
6	2450.0	4.75	4.33	91.4%	-0.43	4.75	60	75	-9.45	30	345	0.75	14.20	4.00	-10.20
7	2460.0	4.21	4.23	92.7%	-0.31	4.21	60	270	-10.10	30	345	0.25	14.31	3.96	-10.35
8	2470.0	4.70	4.04	85.4%	-0.66	4.70	60	270	-9.76	30	345	0.72	14.46	3.97	-10.49
9	2480.0	3.71	3.66	85.1%	-0.65	3.71	60	270	-10.74	30	345	-0.26	14.45	3.97	-10.48

Passive -Freq 2450.00MHZ

