

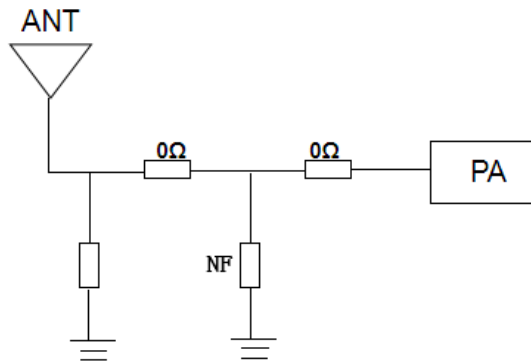
Shenzhen Qianmu Communication Technology Co.,Ltd.

Antenna Acknowledgement

Applicable model	S211		
Customer	Shenzhen Minmei Busan Electronic Technology Co., Ltd.		
Specification description			
	Product content	Specification	Customer material code
Specification description	WIFI antenna	FPC/Black/Character QM-S211 + First generation terminal/black/φ 1.13 * 73mm	04.3.1.87.0113
Change of resume			
Serial number	Date	Version	Brief description of the changes
1	2023-02-07	V1.0	New project
2			
3			

Supplier sample confirmation					
Research and development	Structure	Audit	Judgement		
			PASS FAIL		
Customer sample confirmation					
Electron	Structure	Project	Procurement	Quality	Audit
Reasons for rejection or other precautions:					

1. Matching circuit-BT antenna

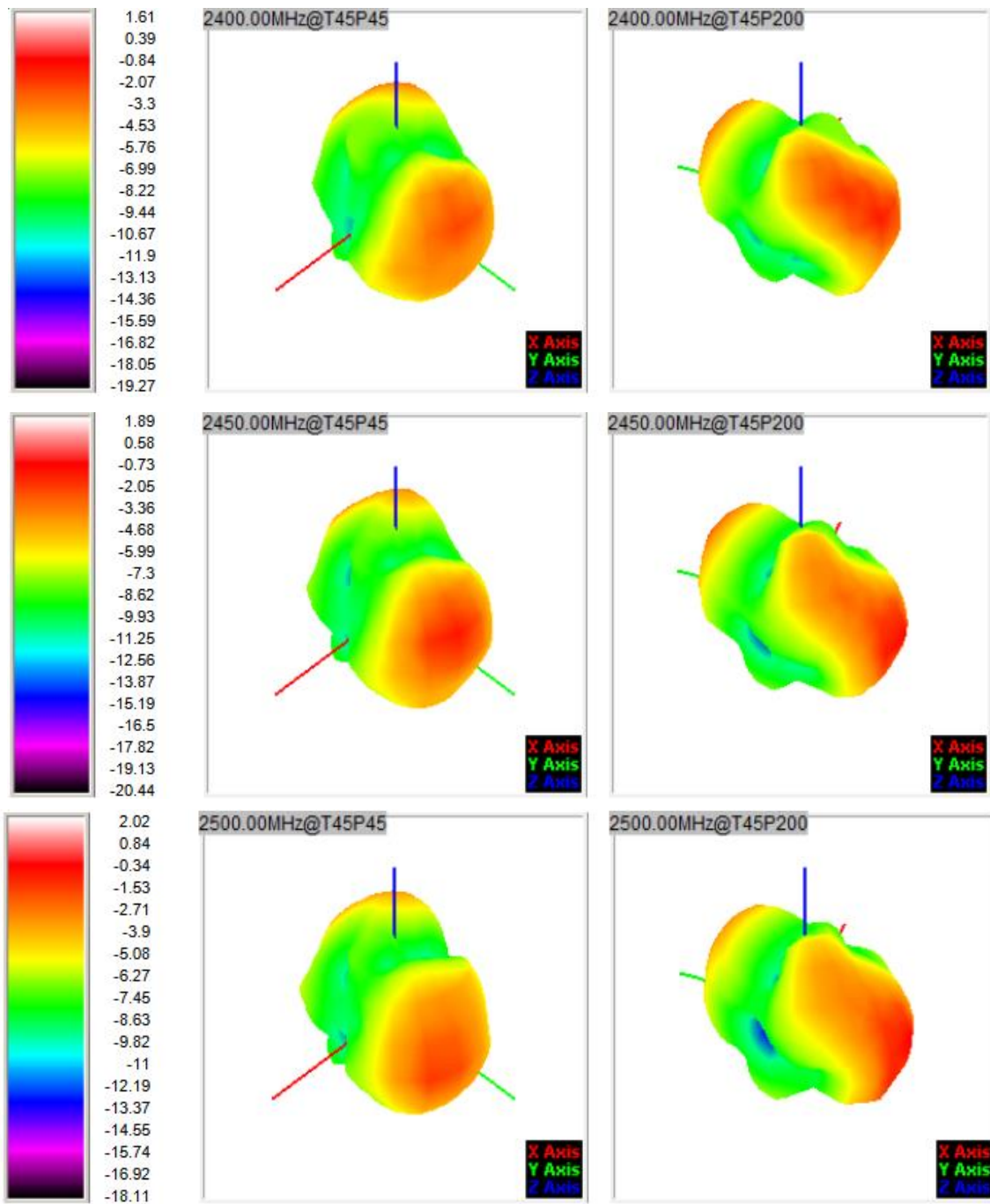


我司未对匹配电路做任何更改

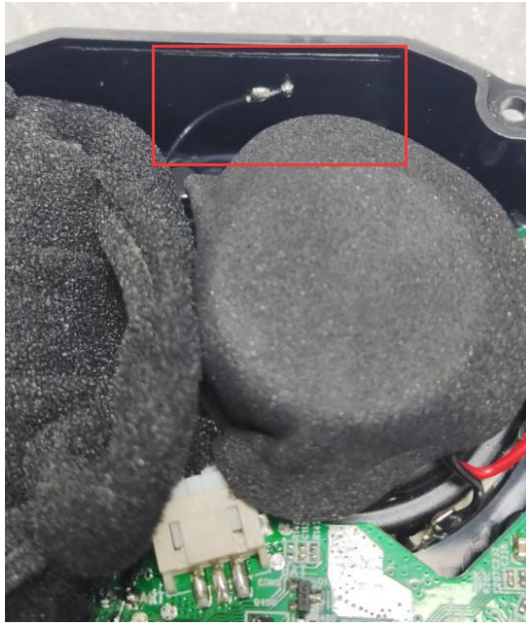
2. Antenna passive efficiency gain data

Frequency ID	1	2	3	4	5	6	7	8	9	10	11
Frequency (MHz)	2400	2410	2420	2430	2440	2450	2460	2470	2480	2490	2500
Ant. Port Input Pwr. (dBm)	0	0	0	0	0	0	0	0	0	0	0
Tot. Rad. Pwr. (dBm)	-4.98	-5.05	-4.93	-4.86	-4.92	-4.78	-4.88	-5.04	-4.9	-4.73	-4.65
Peak EIRP (dBm)	1.61	1.59	1.57	1.54	1.61	1.89	1.91	1.81	2.01	2.11	2.02
Directivity (dBi)	6.59	6.64	6.5	6.39	6.53	6.67	6.79	6.85	6.91	6.84	6.67
Efficiency (dB)	-4.98	-5.05	-4.93	-4.86	-4.92	-4.78	-4.88	-5.04	-4.9	-4.73	-4.65
Efficiency (%)	31.8	31.3	32.1	32.7	32.2	33.3	32.5	31.3	32.4	33.6	34.3
Gain (dBi)	1.61	1.59	1.57	1.54	1.61	1.89	1.91	1.81	2.01	2.11	2.02
NHPRP $\pm\pi/4$ (dBm)	-6.07	-6.14	-6.01	-5.92	-5.96	-5.82	-5.91	-6.06	-5.88	-5.69	-5.6
NHPRP $\pm\pi/6$ (dBm)	-7.62	-7.69	-7.54	-7.41	-7.42	-7.26	-7.33	-7.46	-7.24	-7.01	-6.92
NHPRP $\pm\pi/8$ (dBm)	-8.93	-9.02	-8.86	-8.69	-8.66	-8.47	-8.52	-8.61	-8.34	-8.07	-7.96
Upper Hem. PRP (dBm)	-6.64	-6.69	-6.57	-6.52	-6.59	-6.48	-6.6	-6.8	-6.71	-6.6	-6.53
Lower Hem. PRP (dBm)	-9.96	-10.07	-9.95	-9.84	-9.86	-9.68	-9.73	-9.81	-9.56	-9.3	-9.19
Upper Hem. PRP (%)	21.68	21.43	22.01	22.29	21.92	22.49	21.9	20.87	21.31	21.87	22.26
Lower Hem. PRP (%)	10.09	9.84	10.12	10.38	10.32	10.77	10.65	10.44	11.05	11.75	12.04

3. 2.4G pattern



4. Antenna assembly instructions



5. Actual measurement of antenna

- ① The Android mobile phone is connected to the stereo (single), and the mobile phone plays songs without stuttering. The outdoor (roof/parking lot) test has a straight line distance of 50 meters without obstacles.
- ② The Android mobile phone is connected to the stereo (two stereos pull the distance), and the mobile phone plays songs without stuttering. The outdoor (roof/parking lot) test has a straight line distance of 50 meters without obstacles, 15 meters away from people.

