

BV670 蓝牙音箱
Bluetooth Speaker

使用说明书
USER MANUAL

This device complies with part 15 of the FCC Rules. Operation is subject to the following two conditions: (1) this device may not cause harmful interference, and (2) this device must accept any interference received, including interference that may cause undesired operation. Any changes or modifications not expressly approved by the party responsible for compliance could void the user's authority to operate the equipment.

NOTE: This equipment has been tested and found to comply with the limits for a Class B digital device, pursuant to Part 15 of the FCC Rules. These limits are designed to provide reasonable protection against harmful interference in a residential installation. This equipment generates, uses and can radiate radio frequency energy and, if not installed and used in accordance with the instructions, may cause harmful interference to radio communications. However, there is no guarantee that interference will not occur in a particular installation.

If this equipment does cause harmful interference to radio or television reception, which can be determined by turning the equipment off and on, the user is encouraged to try to correct the interference by one or more of the following measures:

- Reorient or relocate the receiving antenna.
 - Increase the separation between the equipment and receiver.
 - Connect the equipment into an outlet on a circuit different from that to which the receiver is connected.
 - Consult the dealer or an experienced radio/TV technician for help.
- The device has been evaluated to meet general RF exposure requirement. The device can be used in portable exposure condition without restriction.

The device has been evaluated to meet general RF exposure requirement. The device can be used in portable exposure condition without restriction.

FCC ID: 2AXOX-SPRSPK

01 Warnings

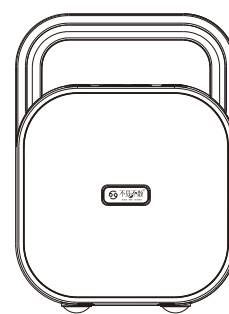
English



- ◆ To ensure proper use and trouble-free operation, please carefully read this user manual first.
- ◆ For the first use, a full charge is recommended.
- ◆ Please use and store the product at room temperature.
- ◆ Do not throw and drop the product to avoid damages.
- ◆ Do not expose the product to fire, high temperature, direct sunlight, etc.
- ◆ Do not use organic solvents or other chemicals to clean the product.
- ◆ Do not allow small particles to get into the product.
- ◆ Please keep volumes of the speaker moderate to avoid temporary or permanent hearing impairment.
- ◆ Do not disassemble the product, or make any modifications to the structure or any parts of it.
- ◆ Keep the product out of children's reach.
- ◆ If the battery is not properly replaced, there will be an explosion accident, which can only be replaced with the same type of battery.
- ◆ Batteries (battery packs) can not be exposed to such conditions as sunshine, fire or similar overheating conditions

02 Packing details

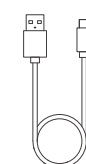
English



Bv670 Speaker 1pc



User manual



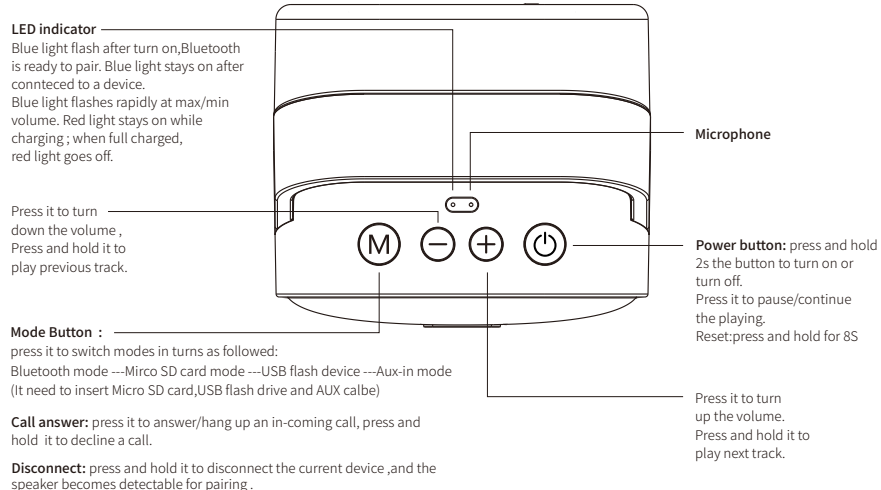
Type-C Charging Cable 1pc



3.5MM Audio cable 1pc

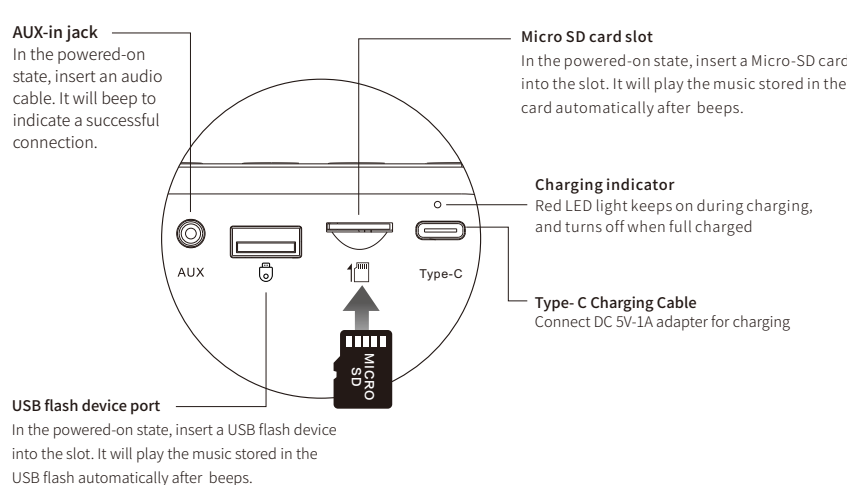
03 Keys functions

English



04 Ports functions

English



05 Bluetooth connection

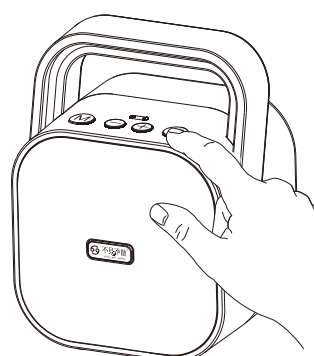
English

Turn on speaker
Press and hold power button for 2 seconds, it issues a sound of "Ding", and the blue LED light flashes, it can be detected.

Pair a Bluetooth device
Activate the Bluetooth of your device, and search for BV670, Once the connection is completed, the speaker will beep and the blue LED light will stay on.

The speaker will re-connect to the used device nearby automatically if the Bluetooth is activated in the future.

Others instructions
If you want to pair the speaker with another device, press and hold the Mode button to disconnect the current device and the speaker becomes detectable, press power button to reconnect.



06 True Wireless Stereo (TWS)Function

English

1.Set up the TWS system
Turn on two BV670 speakers and make sure neither of them is paired with any mobile device. Double press one speaker's "+" Button. It issues a sound and the speaker begins to connect with the other one. After a sound of Ding-dong, the TWS system is set up successfully.

2.Connect them to a Bluetooth device
Activate the Bluetooth of your device of your device and search for BV670, select it once it's on the list. Blue LED light keep flashing slowly indicating a successful connection between the device and the speakers.

3.Disable the system
Press and hold either speaker's "+" Button to disconnect the device and disable the TWS system.

Other instructions:

1. When two speakers connect for the first time, press "+" to enter TWS mode. After TWS paired, master speaker indicator keeps flickering while the slave one keeps on.
2. If two speakers TWS paired successfully, they will auto reconnect next time.
3. When TWS paired successfully, blue light of the slave-speaker will keep on. You will see the status of the speakers from the master speaker.
4. When TWS paired successfully, operate either of the speakers, the other will have the same operation simultaneously.



Speaker 1

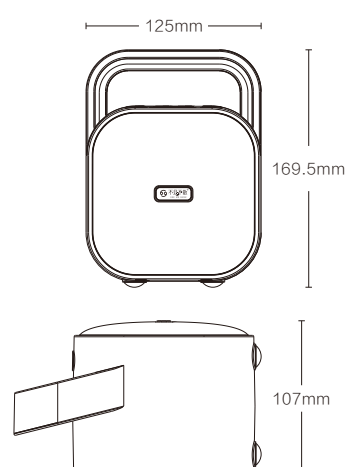


Speaker 2

07 Specifications

English

Basic parameters	
Speaker type	Portable Bluetooth speaker
Support storage	Up to 32GB Micro SD card(FAT 32)/flash drive
Power supply	Built in 3000mAh lithium battery
	DC 5V-1A USB charger adapter about 4-5 hours
Technical Parameters	
Loudspeaker	Bass speaker(77mm,external magnetic) middle and treble speaker (53mm,internal magnetic)
Output power	15W THD ≤ 10%
Frequency response	100Hz-20KHz
Bluetooth standard	Bluetooth 5.0
USB Standard	USB2.0 (complatible with USB1.1)
Playing parameters	
Support Media Type	MP3, WMA, WAV, APE, FLAC MP3:8Kbps-320Kbps WMA:5Kbps-384Kbps WAV:32Kbps-384Kbps



Product size: 169.5 × 125 × 107mm
Product net weight: 850g ± 10g (include Built-in lithium battery)

08 FAQ

English

FAQ	Solutions
Not able to connect your device	1.Restart the speaker and try again 2.If your device requires Pin code, please enter 0000.
Keeps cutting out when playing	Please ensure the speaker is within the operating range and there is nothing between the speaker and the device.
Not able to play the music in Micro SD card	1.Please ensure the formats of the Micro SD card is FAT32. 2.Please ensure the formats of the music files are MP3, WMA, WAV, APE, FLAC
No sound when playing	1.Please adjust the volume of the speaker. 2.Please check if the speaker is paused.
No able to turn on	Please try to charge the speaker or mute.
No sound in AUX-In mode	1.Check if the audio cable connected 2.Check if audio port is damaged
Not play with USB flash drive	1.Check if switch to USB play mode 2.Check if USB flash drive damaged 3.Check if it is transmitting data with PC