

LYRA

产品参数

扬声器:	全频 2xΦ50mm、低音辐射器 2X(54mmX66mm)
输出功率:	2x15W RMS
频率响应:	60Hz-20kHz (-10dB)
信噪比:	>80dB
电池类型:	锂电池 3.65V 10000mAh/3.65Wh
充电时间:	约 4 小时(input 5V/3A)
音响续航:	约 31 小时(取决于音量和音频内容,灯光关)
灯光续航:	约 8 小时(最大亮度,音响关)
综合续航:	约 7 小时(取决于音量、音频内容;灯光最大亮度)
发光单元:	双色温 5050;单色温 2735
灯光色温:	蜡烛光 1700K,暖白光 2400K
亮度:	0.5-260LM
蓝牙版本:	5.3
Micro SD:	支持 MP3、WMA、WAV、FLAC、APE
产品规格:	W153mmXH239.5mmXD100.5mm
产品净重:	1.05kg
防护功能:	IP67 防尘防水
工作温度:	-15°-45°

包装清单

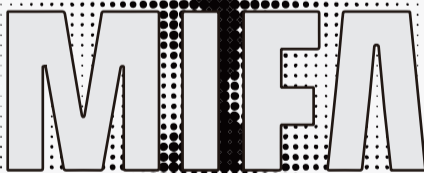
MIFA Lyra音响	1台
快速使用指南	1份
安全警告	1份
充电线	1根

PRODUCT PARAMETER

Technical Specifications	Technical Specifications
Speaker Full Range:	2x Φ50mm, Subwoofer Radiator: 2x (54mm x 66mm)
Output Power:	2x 15W RMS
Frequency Response:	60Hz-20kHz (-10dB)
Signal to Noise Ratio:	>80dB
Battery Type:	Lithium Battery 3.65V 10000mAh/3.65Wh
Charging Time:	Approximately 4 hours (Input 5V/3A)
Speaker Playback Time:	Approximately 31 hours (Dependent on volume, audio content, lighting off)
Lighting Playback Time:	Approximately 8 hours (Max brightness, speaker off)
Combined Playback Time:	Approximately 7hours (Dependent on volume, audio content, max brightness of lighting)
Illumination Units:	Dual-color temperature LED 5050 Single-color temperature LED 2735 Candlelight 1700K, Warm White 2400K
Lighting Color Temperature:	0.5-260LM
Brightness:	5.3
Bluetooth Version:	Supports MP3, WMA, WAV, FLAC, APE
Micro SD:	W153mm x H239.5mm x D100.5mm
Product Dimensions:	1.05kg
Product Net Weight:	IP67 Dustproof and Waterproof
Protection Features:	-15°C to 45°C
Operating Temperature:	

PACKING LIST

MIFA Lyra Speaker	1unit
Quick Start Guide	1copy
Safety Warnings	1copy
Charging Cable	1piece



MIFA

This device complies with part 15 of the FCC Rules. Operation is subject to the following two conditions: (1) this device may not cause harmful interference, and (2) this device must accept any interference received, including interference that may cause undesired operation.

Any changes or modifications not expressly approved by the party responsible for compliance could void the user's authority to operate the equipment.

NOTE: This equipment has been tested and found to comply with the limits for a Class B digital device, pursuant to Part 15 of the FCC Rules. These limits are designed to provide reasonable protection against harmful interference in a residential installation. This equipment generates, uses and can radiate radio frequency energy and, if not installed and used in accordance with the instructions, may cause harmful interference to radio communications. However, there is no guarantee that interference will not occur in a particular installation.

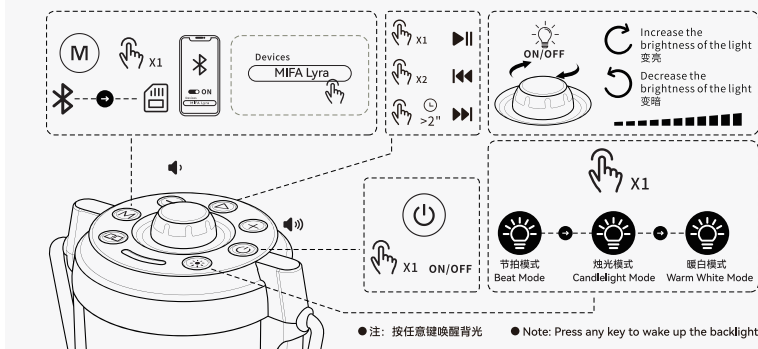
If this equipment does cause harmful interference to radio or television reception, which can be determined by turning the equipment off and on, the user is encouraged to try to correct the interference by one or more of the following measures:

- Reorient or relocate the receiving antenna.
- Increase the separation between the equipment and receiver.
- Connect the equipment into an outlet on a circuit different from that to which the receiver is connected.
- Consult the dealer or an experienced radio/TV technician for help. The device has been evaluated to meet general RF exposure requirement. The device can be used in portable exposure condition without restriction.

01

键位介绍

KEY INTRODUCTION

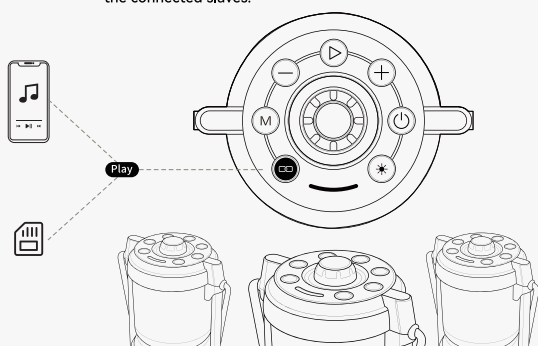


02

派对多连 PARTYADD

在主扬声器短按 键进入 PartyAdd 互联主机模式, 指示灯常亮。其他扬声器未播放歌曲时短按 进入 PartyAdd 互联从机模式, 指示灯常亮。连接成功后歌曲会同步播放, 且主机可控制相连的从机的声音和灯光。

Short press the key on the main speaker to enter PartyAdd interconnection mode, the indicator light will stay on.
Short press when other speakers are not playing songs to enter PartyAdd interconnection slave mode, the indicator light will stay on.
After connected, songs will be synchronized and the host can control the volume of the connected slaves.



03

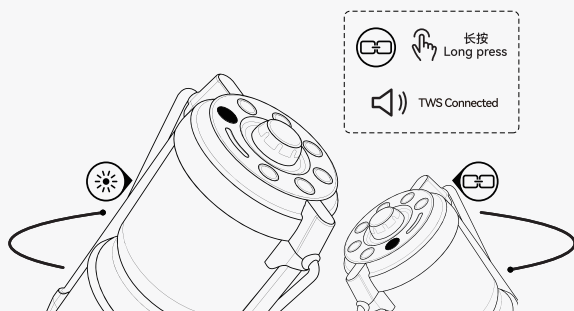
双声道立体声 TWS TRUE WIRELESS STEREO

两台音箱分别长按 键, 进入TWS配对, 听到“TWS Connected”提示音后, 两台音箱进入TWS模式。

● 提示: 连接成功后, 如需要退出TWS模式, 短按其中任意一台音响的 即可。

Long press the key on both speakers respectively to enter TWS pairing. Once you hear the “TWS Connected” prompt, both speakers will enter TWS mode.

● Prompt: After connected, if you need to exit TWS mode, short press the key on either of the speakers.

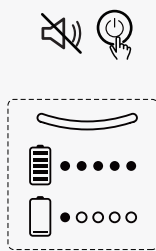


04

电池 BATTERY

为5格电量指示。
低电时为红灯闪烁。
仅开照明时, 长按 可查询电量

represents a 5-level battery indicator.
When the battery is low, the indicator light will flash red.
When only the lighting is turned on, long-press to check the battery level



110*80mm
不含3mm出血

120g爵士米卡 两面印刷