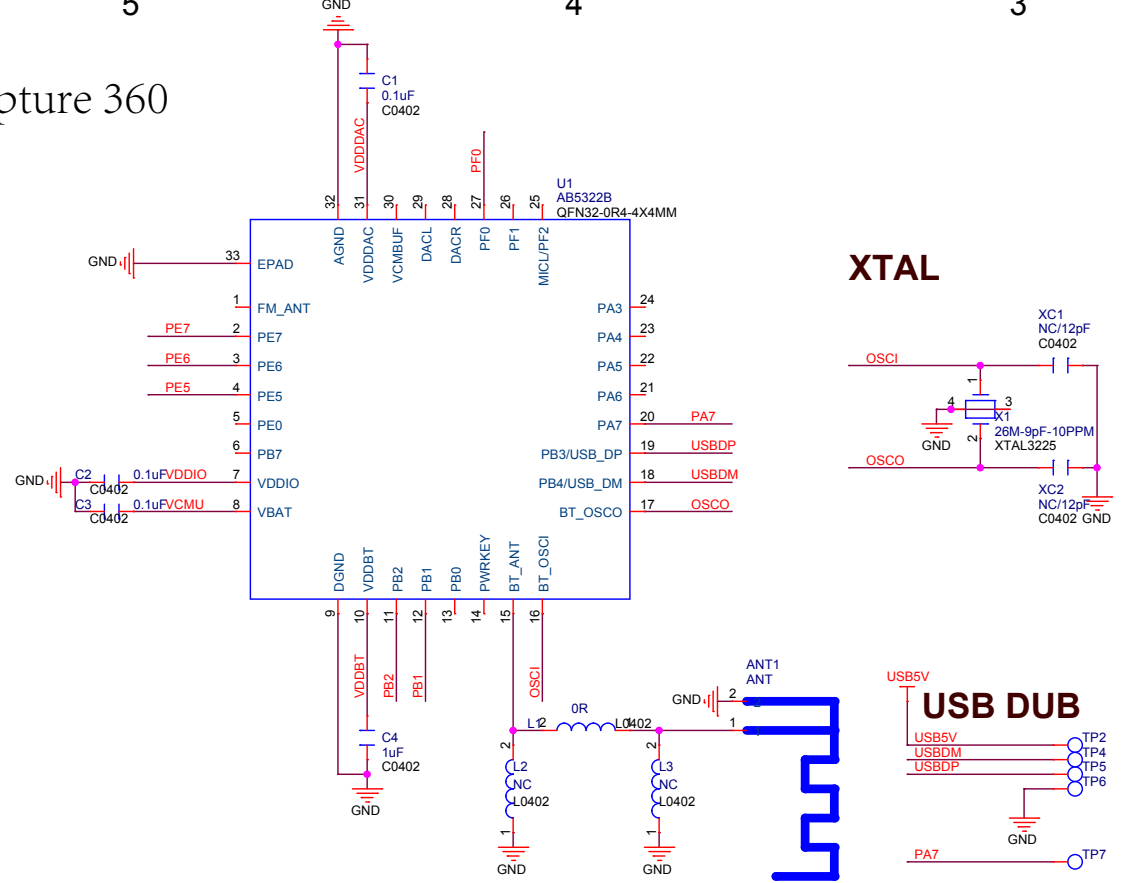
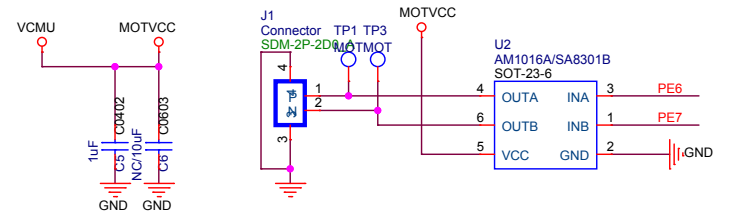


Capture 360

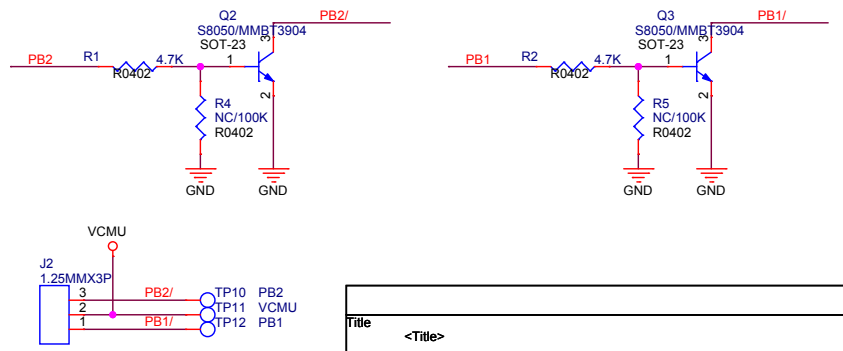


PIN FUNCTION		Analog	ADC	SD	USB	SPI	IR	PWM	Pu/Pd
PA3						SPI1CLK1		P1-T3-G1	300/10K/200K
PA4						SPI1DO1		P2-T3-G1	300/10K/200K
PA5		ADC0	SDCMD1			SPI1DI2	IR1	P0-T5-G1	300/10K/200K
PA6	AXUL0	ADC1	SDCLK1			SPI1CLK2	IR2	P1-T5-G1	300/10K/200K
PA7	AXUR0	ADC2	SDDAT1			SPI1DO2		P2-T5-G1	300/10K/200K
PB0			SDCMD2			SPI1DI3	IR3	P0-T3-G3	300/10K/200K
PB1	AXUL1	ADC3	SDCLK2			SPI1CLK3	IR4	P1-T3-G3	300/10K/200K
PB2	AXUR1	ADC4	SDDAT2			SPI1DO3		P2-T3-G3	300/10K/200K
PB3		ADC5			USB DP			P1-T3-G2	300/10K/200K
PB4		ADC6			USB DM			P2-T3-G2	300/10K/200K
PB7								P2-T5-G3	300/10K/200K
PE0							IR5	P0-T3-G4	10K
PE5		ADC7	SDCMD3			SPI1DI4	IR6	P0-T4-G2	300/10K/200K
PE6	AXUL2	ADC8	SDCLK3			SPI1CLK4	IR7	P1-T4-G2	300/10K/200K
PE7	AXUR2	ADC9	SDDAT3			SPI1DO4	IR8	P2-T4-G2	300/10K/200K
PF0						SPI1DI5		P1-T4-G3	300/10K/200K
PF1	MICL					SPI1CLK5		P0-T4-G3	300/10K/200K
PF2	MICL	ADC10				SPI1DO5	IR9	P0-T3-G5	300/10K/200K

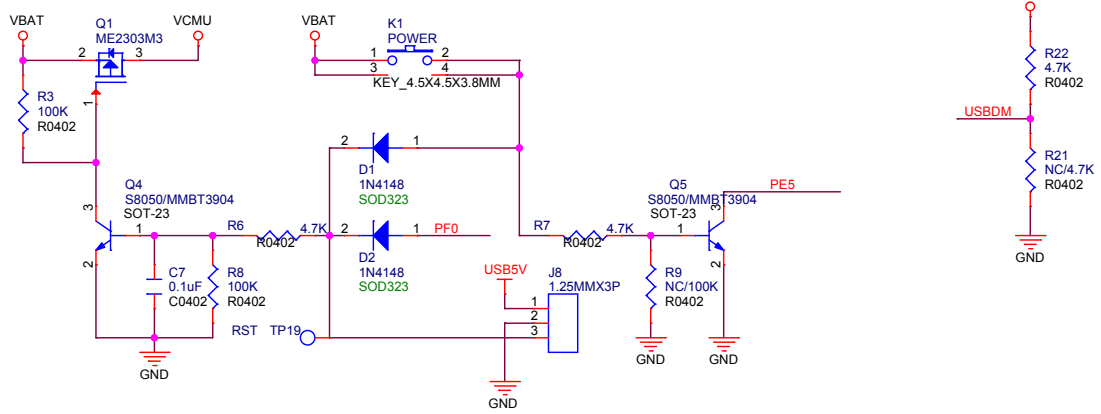
MOT



LED ON/OFF



POWER

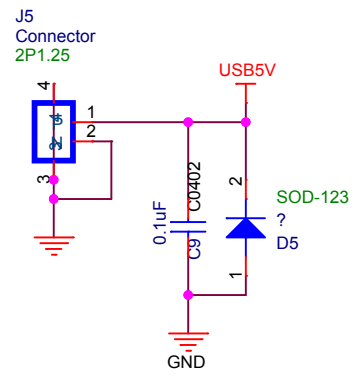


Title	<Title>	
Size	Document Number	Rev
B	<Doc>	<RevCod>
Date:	Thursday, July 30, 2020	Sheet 1 of 2

DC-DC

5

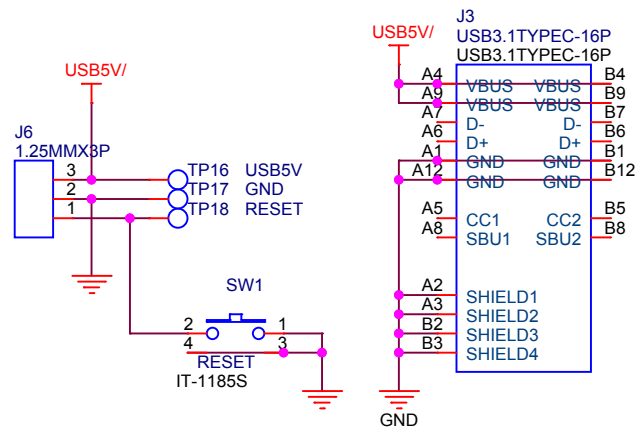
4



USB

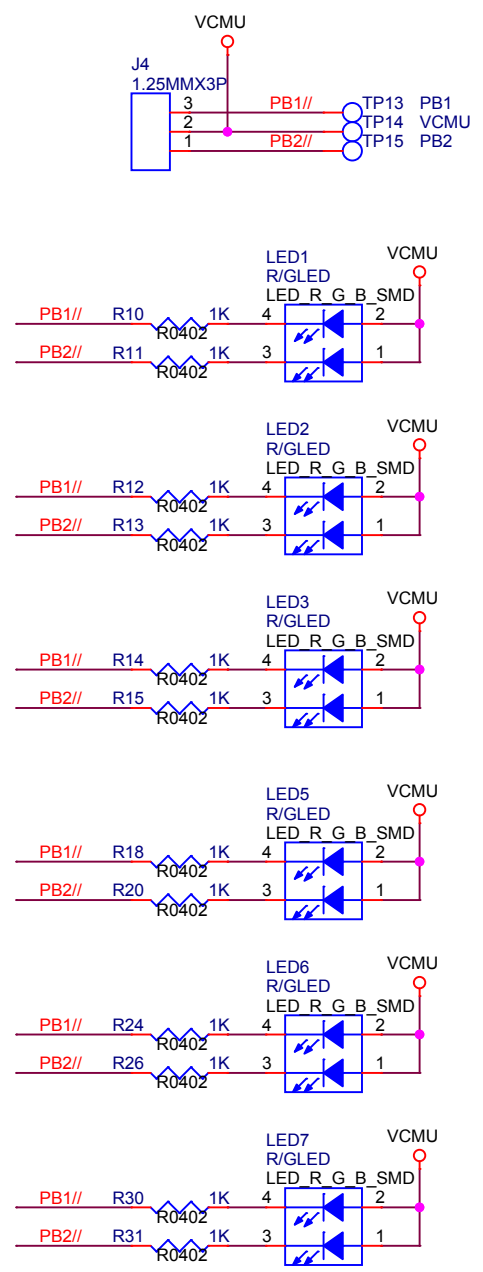
3

2

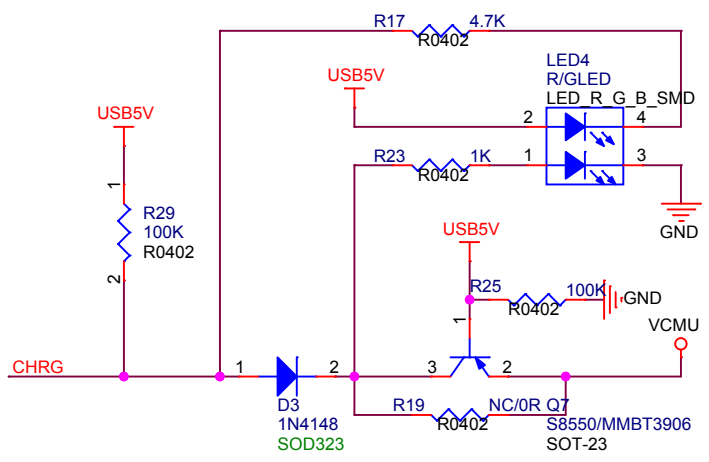
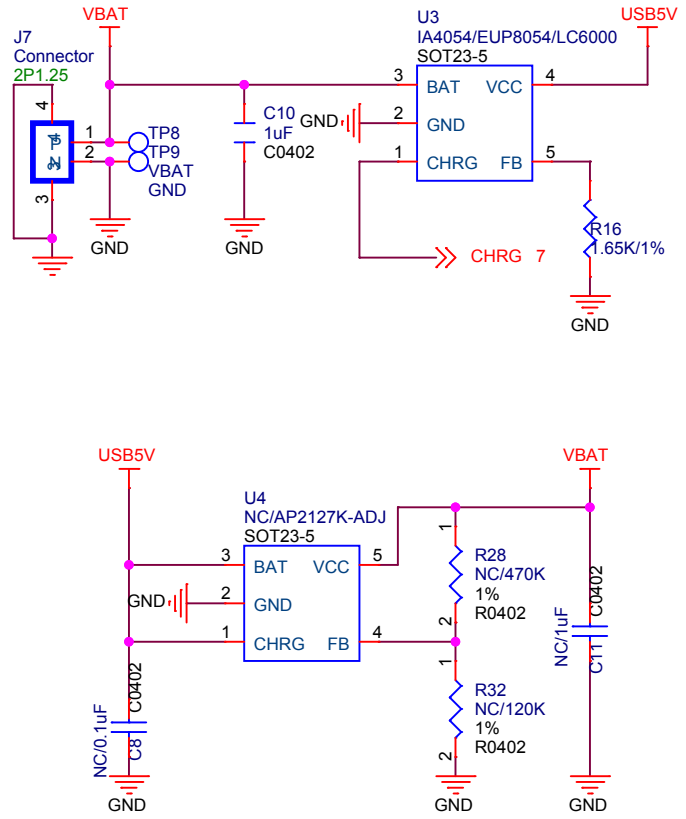


LED

1



BAT LED



Title			<Title>
Size	Document Number	Rev	
A4	<Doc>	<Rev Code>	
Date:	Thursday, July 30, 2020	Sheet	2 of 2