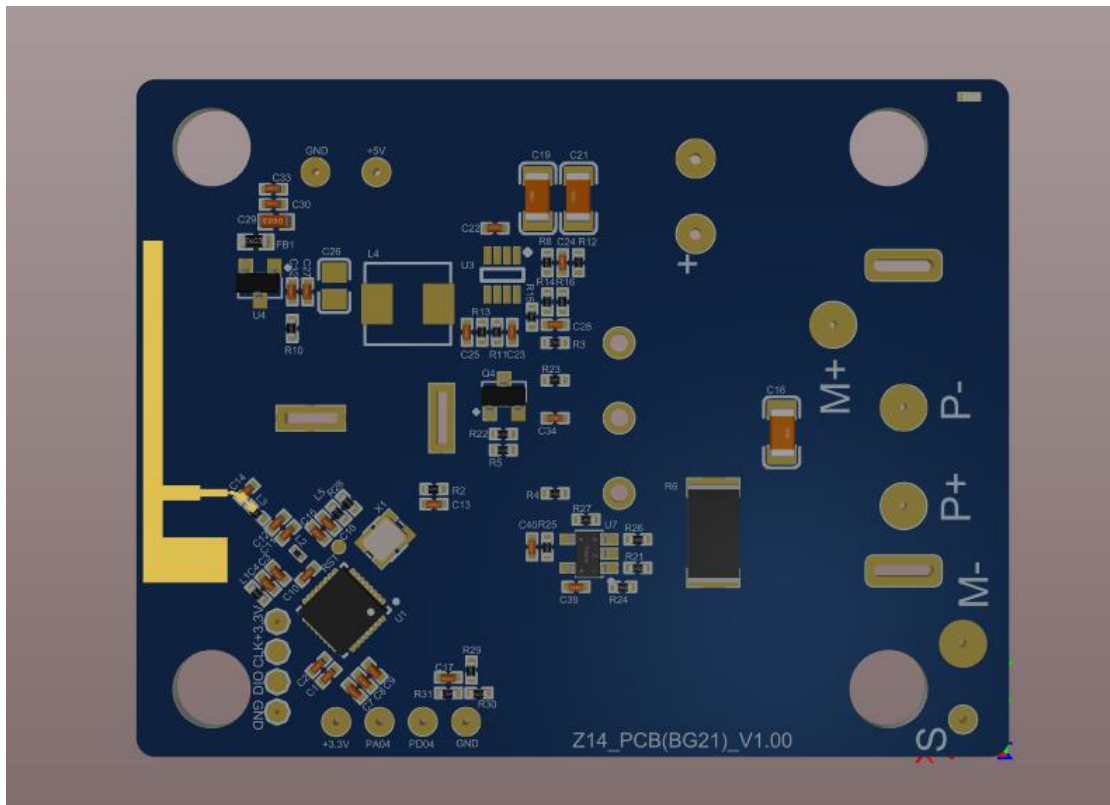
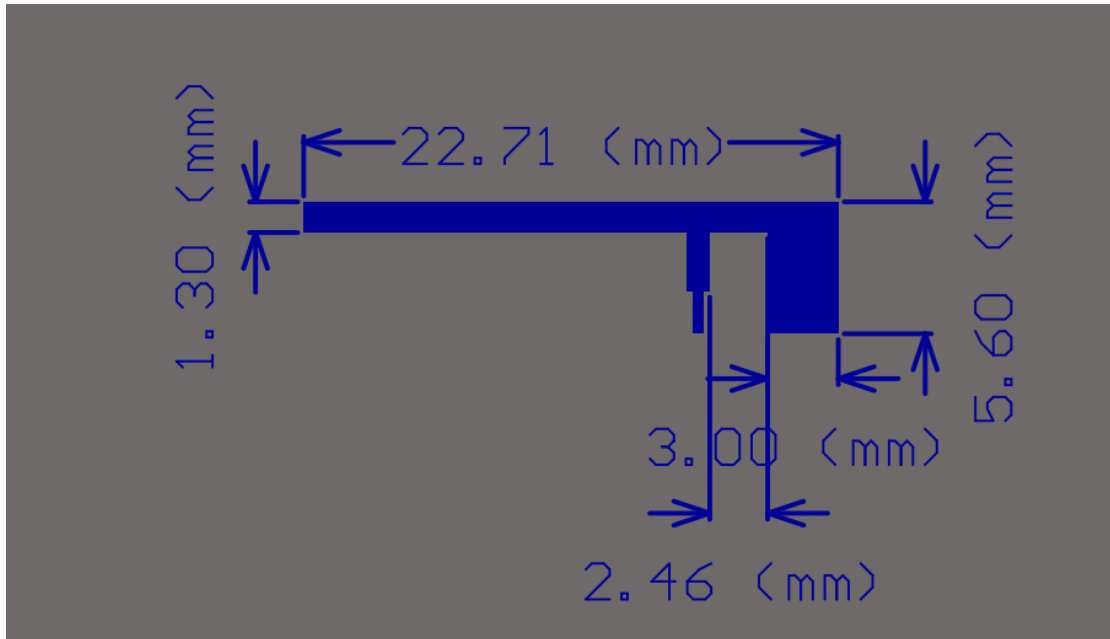


# Antenna specification

## 1. Antenna size diagram



## 2. Return loss



## 3. Gain and efficiency

Frequency ID	1	2	3	4	5	6	7	8	9	10	11	12	13	14	15	16	17	18	19	20	21
Frequency (MHz)	2400.0	2405.0	2410.0	2415.0	2420.0	2425.0	2430.0	2435.0	2440.0	2445.0	2450.0	2455.0	2460.0	2465.0	2470.0	2475.0	2480.0	2485.0	2490.0	2495.0	2500.0
Gain (dBi)	2.12	2.20	2.40	2.48	2.49	2.56	2.54	2.48	2.52	2.63	2.69	2.67	2.60	2.54	2.51	2.44	2.37	2.35	2.46	2.57	2.65
Efficiency (%)	56.68	57.27	58.72	59.50	60.59	62.80	64.77	65.28	65.73	66.99	67.93	67.22	65.56	64.96	65.05	64.03	63.29	63.83	64.45	63.65	63.30

# 4.2D&3D:

