

LOVENSE

**Blast**

USER MANUAL

## FCC Warning

This device complies with part 15 of the FCC Rules. Operation is subject to the following two conditions: (1) this device may not cause harmful interference, and (2) this device must accept any interference received, including interference that may cause undesired operation.

Any changes or modifications not expressly approved by the party responsible for compliance could void the user's authority to operate the equipment.

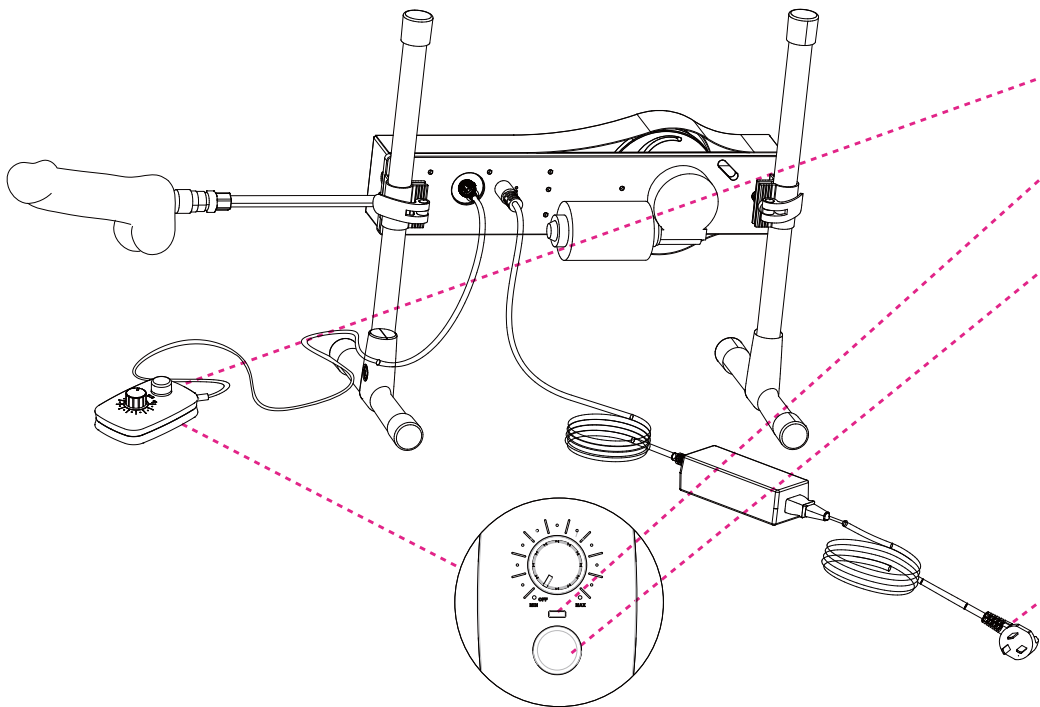
NOTE: This equipment has been tested and found to comply with the limits for a Class B digital device, pursuant to Part 15 of the FCC Rules. These limits are designed to provide reasonable protection against harmful interference in a residential installation. This equipment generates, uses and can radiate radio frequency energy and, if not installed and used in accordance with the instructions,

may cause harmful interference to radio communications. However, there is no guarantee that interference will not occur in a particular installation.

If this equipment does cause harmful interference to radio or television reception, which can be determined by turning the equipment off and on, the user is encouraged to try to correct the interference by one or more of the following measures:

- Reorient or relocate the receiving antenna.
  - Increase the separation between the equipment and receiver.
  - Connect the equipment into an outlet on a circuit different from that to which the receiver is connected.
  - Consult the dealer or an experienced radio/TV technician for help.
- The device has been evaluated to meet general RF exposure requirement. The device can be used in portable exposure condition without restriction

FCC ID:2AXNT-BLAST



- Control Box
- Indicator Light
- Button: On/Off  
(make sure to rotate the Speed Dial to the OFF position before turning on Blast)
- Power Supply

English

## What's Included

- (1) Bluetooth® Sex Machine
- (1) User Manual
- (1) Quick Setup Guide
- (1) Assembly & Set Up Instructions

## Specifications

Materials	Body-Safe Silicone/Metal/ABS Plastic
Weight	12.5 kg
Speed	up to 300 Strokes per Minute
Motor Specs	24 V, 5 A
Electrical Input	100-240 V, 50-60 Hz
Waterproof	Not Waterproof

## Turning On

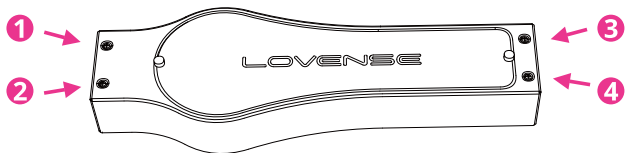
Assemble Blast according to the Assembly & Set Up Instructions and plug into a power outlet. **Make sure you rotate the Speed Dial to the OFF position before turning on Blast.** Then, you can turn on the machine by clicking the button on the Control Box. Once the machine is on, the red light will blink.

## Cleaning & Care

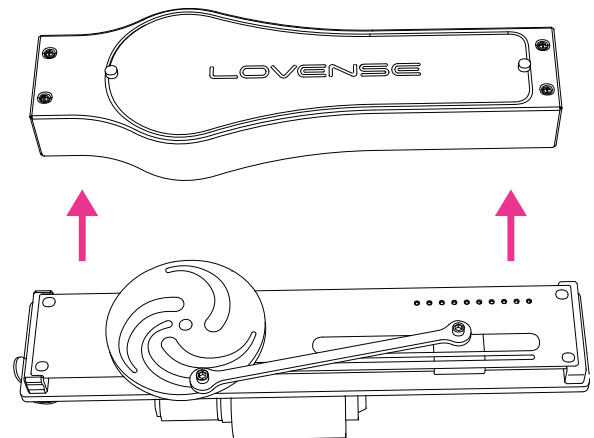
- Clean Blast before and after each use.
- Control Box, Main Body, Power Supply and the Power Plug can be only cleaned with a cloth.
- Clean the Dildo and all other parts with warm water and mild soap (or sex toy cleaner).
- Make sure the water doesn't go inside the hole on the back side of the Dildo.
- Dry thoroughly before storing or turning on the machine.

- Make sure to oil the sliding rails and rod insertion holes every 2-3 months (or wherever you feel that the thrusting is not as smooth as before) with mechanical grease - any high-temperature wheel bearing grease is fine.

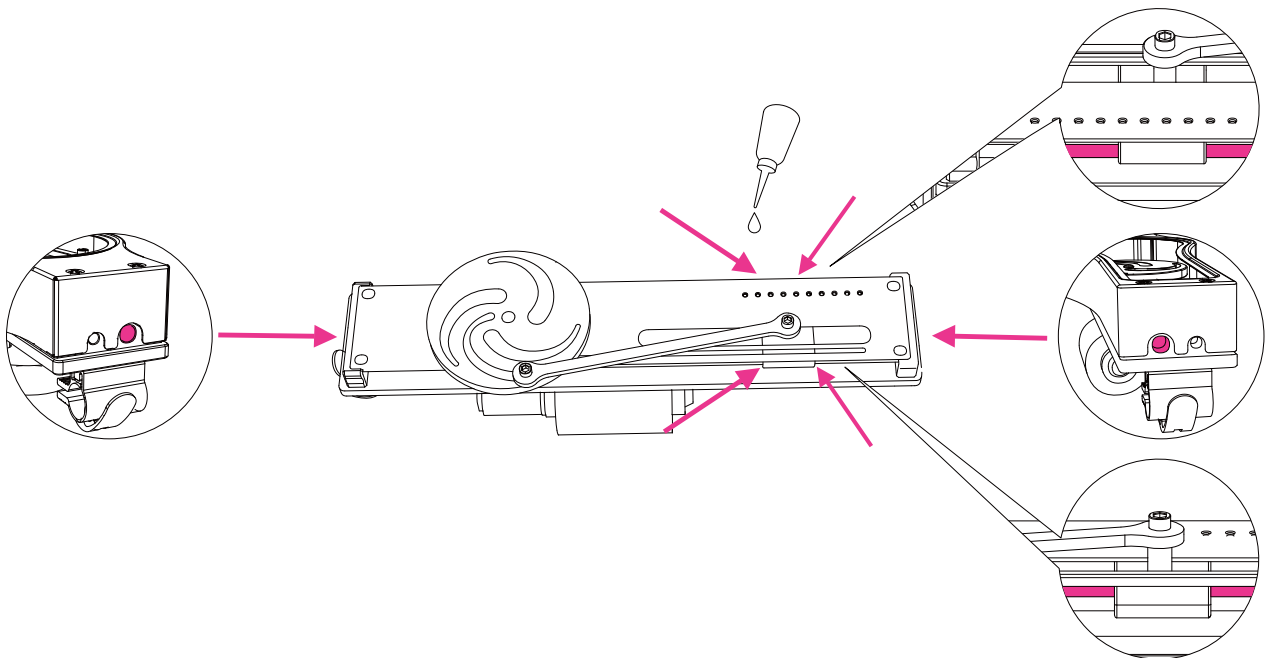
Step 1: Use a screwdriver (not included) to remove the 4 screws.



Step 2: Remove the cover.



Step 3: Apply the oil on the 6 marked spots.





## **Usage Tips**

- Make sure to power off Blast before adjusting the stroke distance (see Assembly & Set Up Instructions).
- It is necessary to properly apply lube to your body and the toy before insertion. Only use water-based lube, as silicone or oil-based lube may affect the silicone casing.
- For your first time, we suggest setting the stroke depth and speed to low or medium and then testing and changing until you find your preferred depth/speed.
- Use the adapter located on Dildo (S) or Dildo (L) if you want to use different Vac-U-Lock compatible dildo.

## **Warning**

- Please make sure the knobs is pushed down before starting the machine.
- Make sure to keep Blast on a solid, stable and flat surface before using.
- Make sure that the machine is firmly attached to the rods before turning it on.
- Unplug Blast when not in use and during assembly.
- If you feel pain during use, immediately stop using it.
- Make sure you don't touch the motor during or shortly after using the machine.
- DO NOT try adjusting the thrusting depth when the machine is working.
- The machine and accessories are NOT waterproof. Don't use Blast in wet places.

## **Links**

Check out the newest guide/download links here. Our software is constantly updated.

Online guide: [www.lovense.com/guide](http://www.lovense.com/guide)  
App download: [www.lovense.com/download](http://www.lovense.com/download)

If you have any feedback or need any additional assistance, use the contact form at [www.lovense.com/contact](http://www.lovense.com/contact). Someone from the Lovense team will normally reply within 12-24 hours.

## Warranty Terms & Conditions



LOVENSE warrants this product for a period of ONE (1) YEAR, after the date of original purchase, against defects due to faulty workmanship or materials. If you discover a defect and notify LOVENSE during the warranty period, LOVENSE will, at its discretion, replace the product free of charge.

Visit [www.lovense.com/warranty](http://www.lovense.com/warranty) for detailed warranty and product return information.