

# IntelliTrack 360°

Camera  
Motion Tracking  
Phone Holder

Bluetooth

ON AIR



PodCastSeries

User Manual

## INTRODUCTION

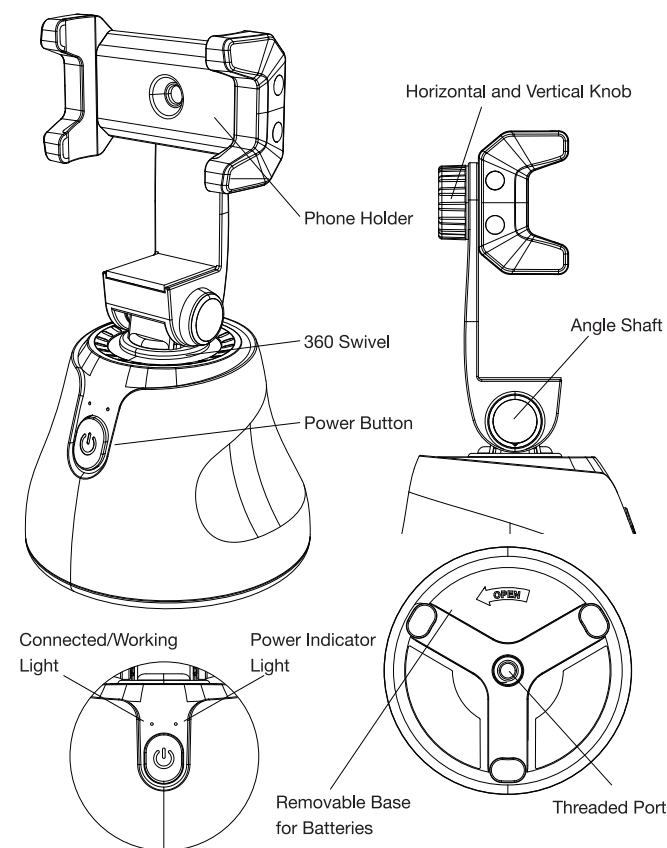
Take your own personal cameraman anywhere with the On Air IntelliTrack 360° Camera Motion Tracking Phone Holder – an innovative go-to for filming events, vlogging, or producing professional styled content for social media platforms on your smartphone. This intelligent phone holder pairs with your device via a Bluetooth app and automatically locks in on your face (or your chosen object to track) then records and/or takes pictures accordingly. Use it on your desktop or mount it on a tripod and let its 360° rotating base follow your movements seamlessly, without limitations or constraints.

- 360° Facial & Object Tracking
- Landscape or Portrait Shooting
- ¼" Universal Tripod Mountable Base

## WHAT'S IN THE BOX?

1x On Air IntelliTrack 360° Camera Motion Tracking Phone Holder  
User Manual

## INTELLI TRACK 360° DIAGRAM



## BATTERY INSTALLATION

Rotate the battery cover left (counter-clockwise) and open it, insert 3 "AA" batteries according to the directions marked on the inside of the battery case. Replace the battery cover after the batteries are inserted then rotate the cover right (clockwise) to secure it in place.

## DOWNLOADING THE APP

Scan the QR code below or search "Live 360" in the App Store or Google Play Store to download and install the app.

\*NOTE: The "Live360" app is the only way to control the IntelliTrack 360°. Nothing else will work.



iOS/Android

## SMARTPHONE INSTALLATION

Open the phone holder and slide the phone into the phone holder. Adjust the phone as needed to ensure that it is seated in the IntelliTrack snugly and securely.

## HOW TO SWITCH BETWEEN VERTICAL AND HORIZONTAL POSITIONS

Loosen the knob on the rear of the phone holder then rotate it to a horizontal or vertical position as you desire. Tighten the knob at the back of the holder once again to secure the phone in position.

## TIME TO POWER ON/OFF

To power on the IntelliTrack 360° depress the Power Button for five seconds and the red LED light will flash. Repeat the same process to turn the unit off.

## CONNECTING THE INTELLITRACK 360°

1. Make sure the IntelliTrack 360° is powered ON, the red light is flashing, and it is waiting for a Bluetooth connection.
2. Make sure the Bluetooth on your smartphone is currently ON.
3. Launch the "Live360" app and within six seconds the IntelliTrack 360° will automatically connect with your device, the red light will steadily light.
4. Once the "Live360" app Connects to the IntelliTrack 360° it will give you options to shoot/stream with some social media apps (Facebook, Instagram, Tik Tok, etc.) as well the ability to just use the device's stand-alone camera for recording.
5. The device will prompt you to accept the "Live360" app running in the background, accept it and open the camera app of your choice.
6. The IntelliTrack 360° is now ready for facial tracking, chose the front or back camera, focus on a face and slowly move, the IntelliTrack 360° will follow the face making sure is always centered.
7. You are now ready to start shooting video or taking pictures.
8. Once done recording, stop the "Live360" app from running in the background either by pressing stop broadcast or stop recording (depends on device).

- \* Please note: Make sure to move slowly, the IntelliTrack 360° cannot track faces if moving fast.
- \* Some of the "Live360" app may change, stop working or look different due to APP upgrades.
- \* There is no need to manually pair the device via Bluetooth.

## SAFETY INSTRUCTIONS

- Use only new AA batteries; do not mix and match old and new batteries
- Do not immerse this product in water
- Only use on a steady, firm surface
- Do not take apart
- Do not force the phone holder to turn

If you have any other questions or issues with product use and/or care, please contact tzumi Technical Support at: support@tzumi.com.

The device has been evaluated to meet general RF exposure requirement, The device can be used in portable exposure condition without restriction Federal Communication Commission (FCC) Radiation Exposure Statement Power is so low that no RF exposure calculation is needed. This device complies with part 15 of the FCC rules. Operation is subject to the following two conditions: (1) this device may not cause harmful interference, and (2) this device must accept any interference received, including interference that may cause undesired operation. NOTE: The manufacturer is not responsible for any radio or TV interference caused by unauthorized modifications or changes to this equipment. Such modifications or changes could void the user's authority to operate the equipment. NOTE: This equipment has been tested and found to comply with the limits for a Class B digital device, pursuant to part 15 of the FCC Rules. These limits are designed to provide reasonable protection against harmful interference in a residential installation. This equipment generates uses and can radiate radio frequency energy and, if not installed and used in accordance with the instructions, may cause harmful interference to radio communications. However, there is no guarantee that interference will not occur in a particular installation. If this equipment does cause harmful interference to radio or television reception, which can be determined by turning the equipment off and on, the user is encouraged to try to correct the interference by one or more of the following measures:

- Reorient or relocate the receiving antenna.
- Increase the separation between the equipment and receiver.
- Connect the equipment into an outlet on a circuit different from that to which the receiver is connected.
- Consult the dealer or an experienced radio/TV technician for help.

Any changes or modifications not expressly approved by the party responsible for compliance could void the user's authority to operate this equipment.

Model No:7704  
FCC ID:2AXLL7704

**tzumi**<sup>®</sup>  
life just got better.

tzumi Distributed by tzumi Inc. NY, NY, 10016. ©Copyright 2020 tzumi Inc. All Rights Reserved. Made In China. Phone is a trademark of Apple Inc., registered in the U.S. and other countries. All other trademarks and tradenames are the property of their respectful owners. All pictures shown are for illustration purpose only. Actual product may vary due to product enhancement. Subject to change without prior notice.

