

**Shenzhen Yishengbang Technology  
Co., Ltd**

**Sample Acknowledgment Letter**

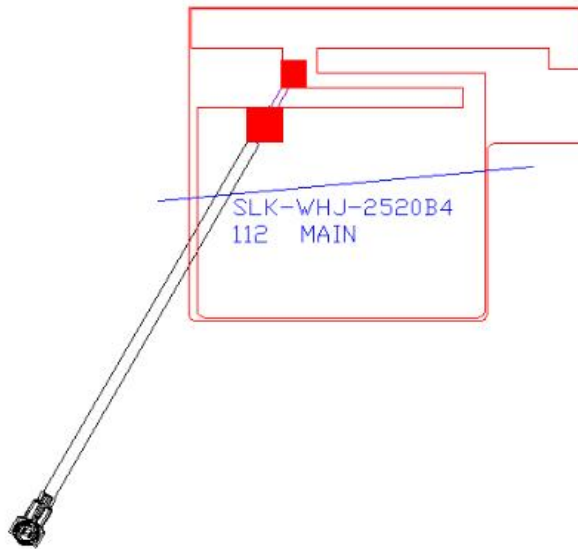
**SPECIFICATION FOR APPROVAL**

# WIFI MAIN Antenna (2520B4)

## 1. Explanation of Product number :

**S L K - W H J - 2520B4- L - 2 4 0 I V - B**

**1                      2                      3                      4                      5**



Product Code:

(1) Customer:

WHJ:伟合佳

(2) Project:

2520B4: SLK-WHJ-2520B4(WIFI antenna)

(3) Welding Position

L: Left

(4) Cable Length:

240IV: 240\*1.13MM 四代端子

(5)Cable Color

B: Black

## 2. Features

\*Stable and reliable in performances

\*Compact size

\*RoHS compliance

## 3. Applications

\* IEEE802.11 (a/b/g/n)

\* Hand-held devices when WIFI (802.11a/b/g/n) functions are needed

## 4. Description

Holy bond's PCB antenna series are specially designed for WIFI (802.11 a/b/g/n) applications. Based on Holy bond's proprietary design and processes, this FPC antenna has excellent stability and sensitivity to consistently provide high signal reception efficiency.

## 5. Electrical Specifications

### 5-1

Characteristics	Specifications	Unit
Outline Dimensions	25.43x20.09x 0.12	mm
Center Frequency	2.4-2.5/5.15-5.85	GHz
Bandwidth(under-10dB return loss)	130min	MHz
VSWR	3max	

### 5-2.

#### VSWR



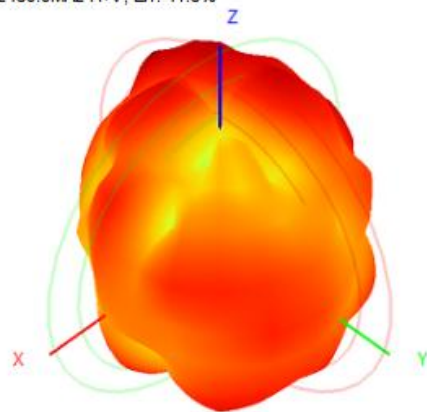
#### S11



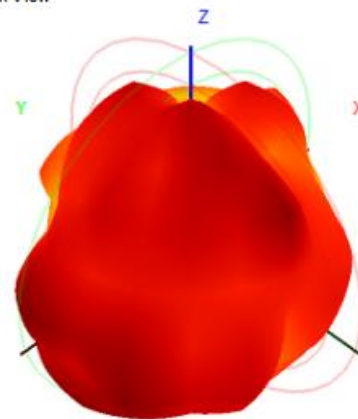
### 5-3.WIFI Antenna Gain/Efficiency/Radiation Pattern of 3D

Frequency	Efficiency	Gain (dBi)	Efficiency (%)
2400.0	-4.23	1.80	37.78
2410.0	-3.89	2.14	40.84
2420.0	-3.70	2.37	42.67
2430.0	-3.59	2.55	43.70
2440.0	-3.86	2.09	41.14
2450.0	-3.84	2.13	41.26
2460.0	-3.63	2.32	43.39
2470.0	-4.03	1.90	39.53
2480.0	-4.00	1.88	39.78
2490.0	-4.26	1.63	37.47
2500.0	-4.42	1.65	36.16
5150.0	-3.49	2.16	44.78
5350.0	-3.84	2.18	41.27
5550.0	-3.60	2.28	43.62
5650.0	-3.16	1.97	48.34
5850.0	-3.02	2.20	49.94

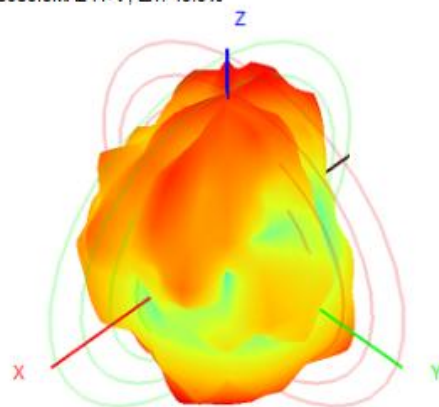
2450.0MHz H+V, Eff: 41.3%



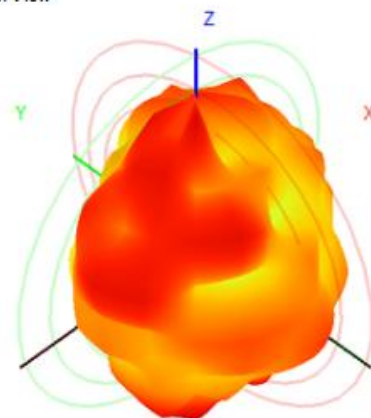
Back View



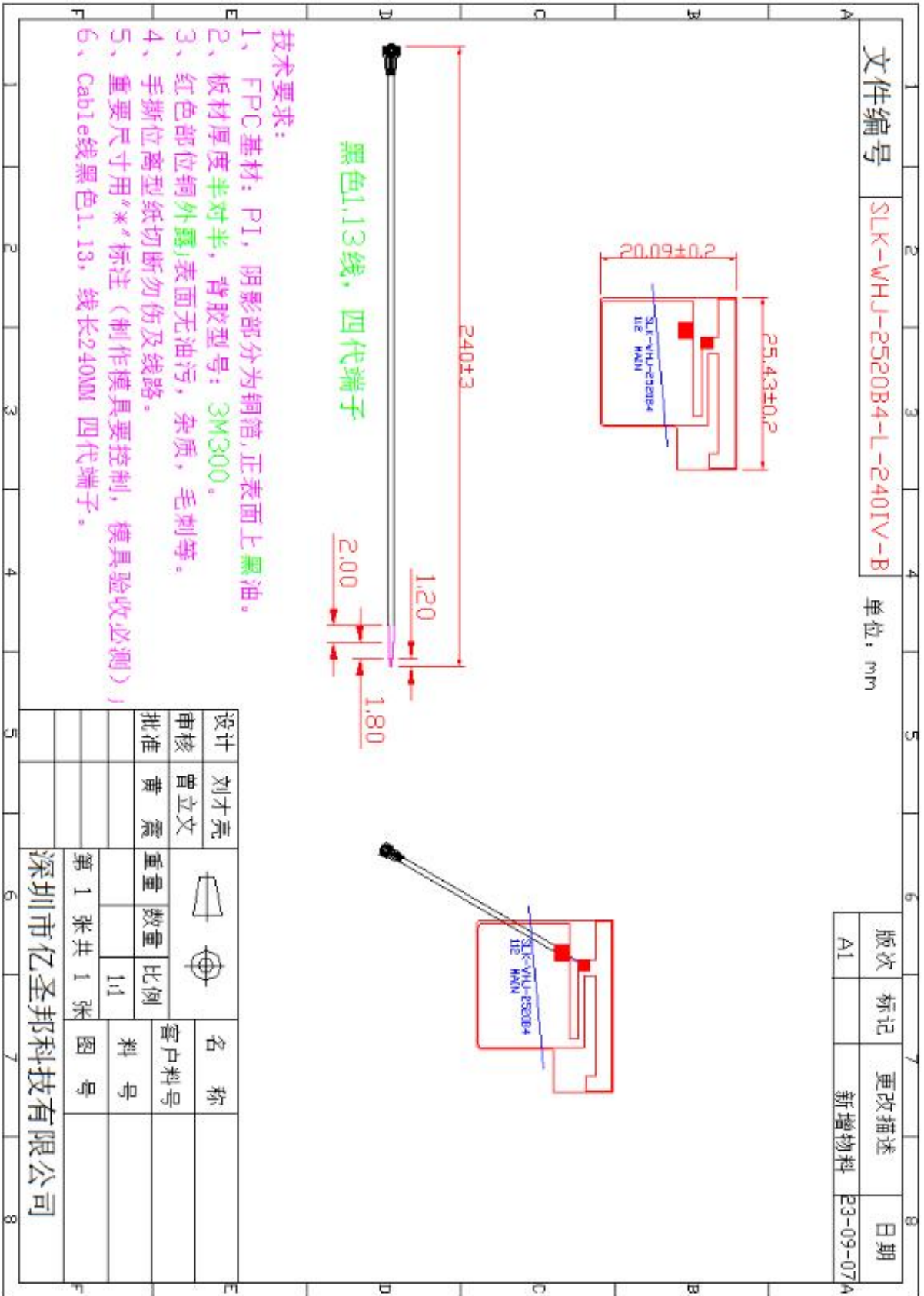
5850.0MHz H+V, Eff: 49.9%



Back View



## 6. Antenna Dimensions (unit: mm)

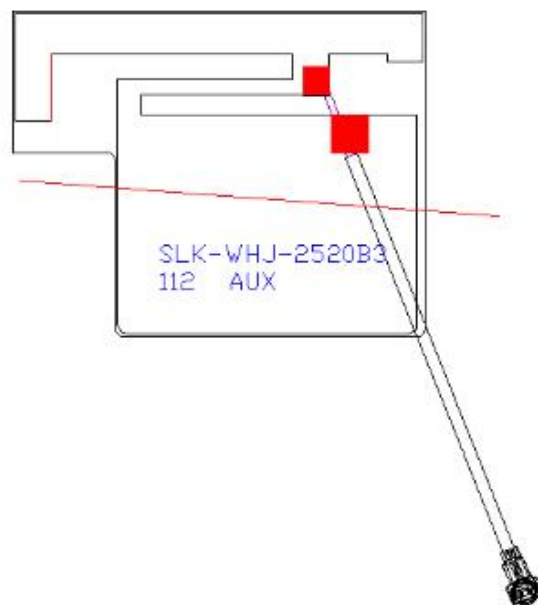


## WIFI AUX Antenna (2520B3)

### 2. Explanation of Product number :

**S L K - W H J - 2 5 2 0 B 3 - L - 2 2 0 I V - G**

**1            2            3            4            5**



Product Code:

(1) Customer:

WHJ:伟合佳

(2) Project:

2520B3: SLK-WHJ-2520B3(WIFI antenna)

(3) Welding Position

R:Right

(4) Cable Length:

220IV: 220\*0.81MM 四代端子

(5)Cable Color

G: Grey

### 2. Features

\*Stable and reliable in performances

\*Compact size

\*RoHS compliance

### 3. Applications

\* IEEE802.11 (a/b/g/n)

\* Hand-held devices when WIFI (802.11a/b/g/n) functions are needed

## 4. Description

Holy bond's PCB antenna series are specially designed for WIFI (802.11 a/b/g/n) applications. Based on Holy bond's proprietary design and processes, this FPC antenna has excellent stability and sensitivity to consistently provide high signal reception efficiency.

## 5. Electrical Specifications

### 5-1

Characteristics	Specifications	Unit
Outline Dimensions	25.43x20.09x 0.12	mm
Center Frequency	2.4-2.5/5.15-5.85	GHz
Bandwidth(under-10dB return loss)	130min	MHz
VSWR	3max	

### 5-2.

#### VSWR



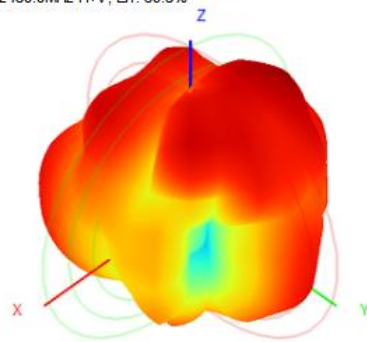
#### S11



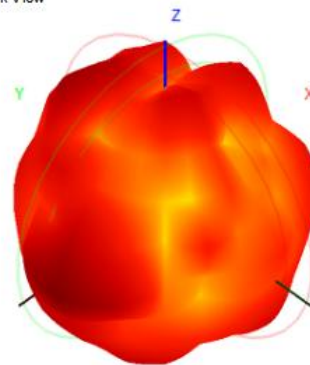
### 5-3.WIFI Antenna Gain/Efficiency/Radiation Pattern of 3D

Frequency	Efficiency	Gain (dBi)	Efficiency (%)
2400.0	-4.01	2.63	39.76
2410.0	-3.96	2.76	40.19
2420.0	-4.11	2.45	38.78
2430.0	-4.11	2.33	38.84
2440.0	-3.74	2.65	42.27
2450.0	-4.15	2.14	38.48
2460.0	-4.18	1.75	38.23
2470.0	-4.20	1.83	38.04
2480.0	-4.16	1.96	38.33
2490.0	-3.84	2.12	41.30
2500.0	-4.03	1.92	39.58
5150.0	-3.65	2.87	43.17
5350.0	-3.63	2.13	43.33
5550.0	-3.59	2.07	43.79
5650.0	-3.92	2.25	40.59
5850.0	-3.50	2.84	44.67

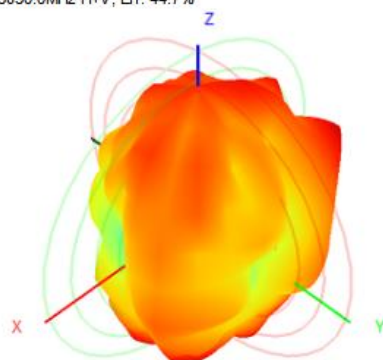
2450.0MHz H+V, Eff: 38.5%



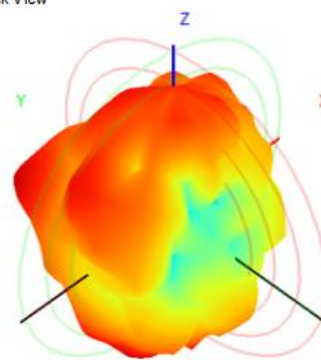
Back View



5850.0MHz H+V, Eff: 44.7%

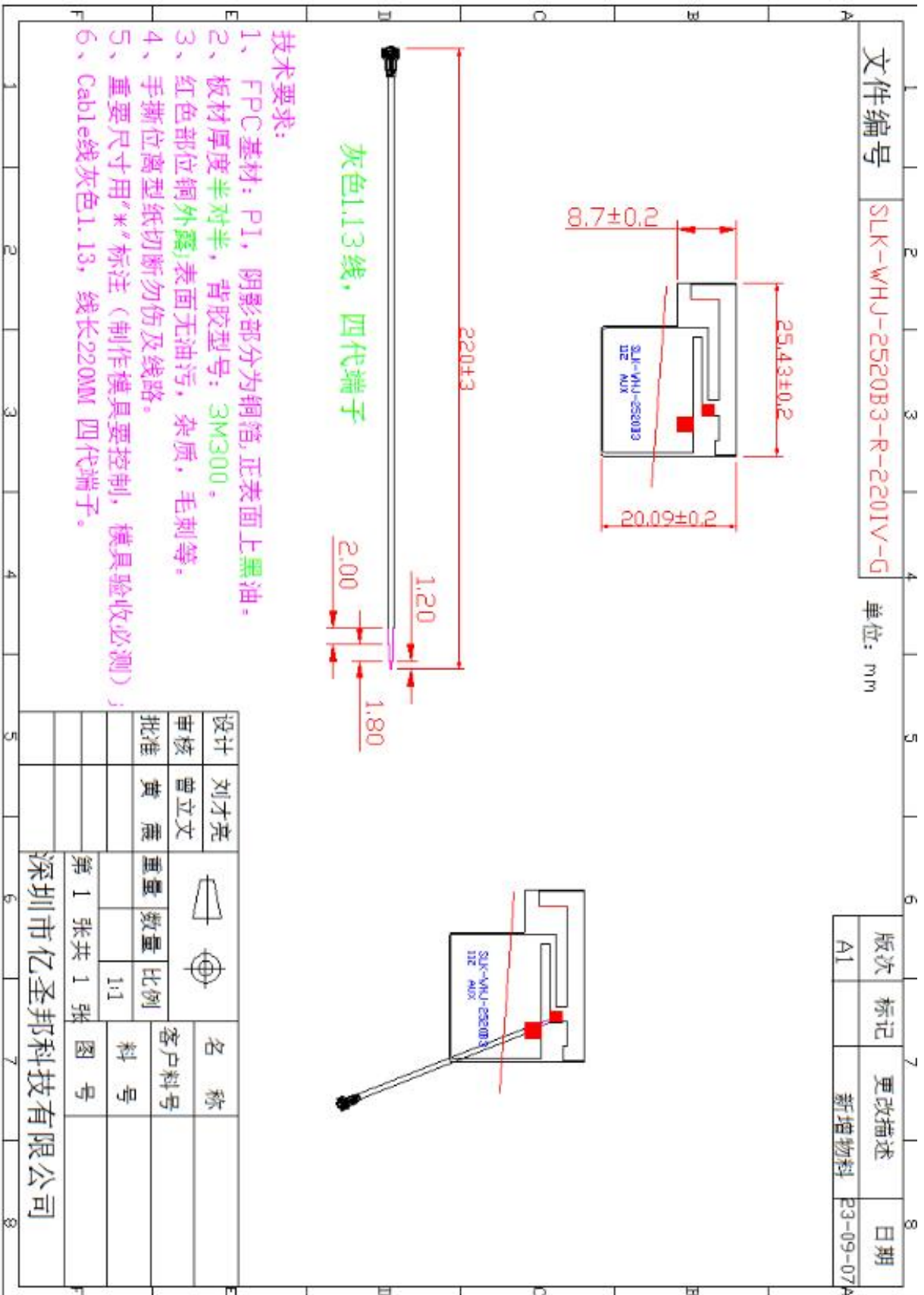


Back View

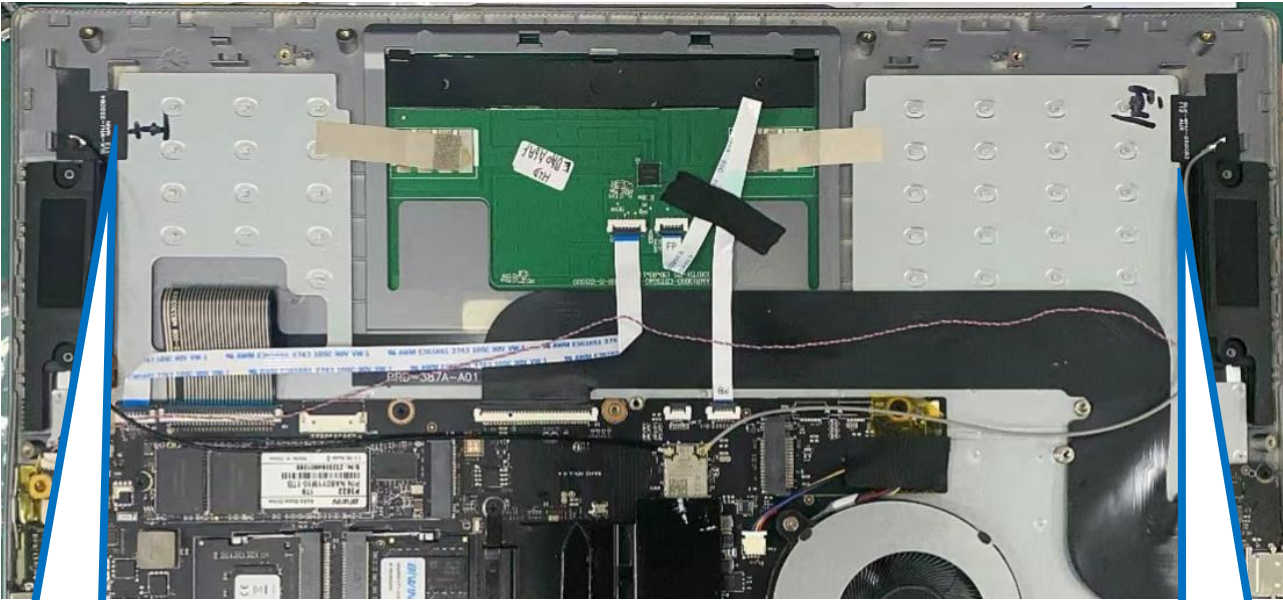




## 6. Antenna Dimensions (unit: mm)



# 7. Antenna Picture



WiFi 主天线

WiFi 副天线